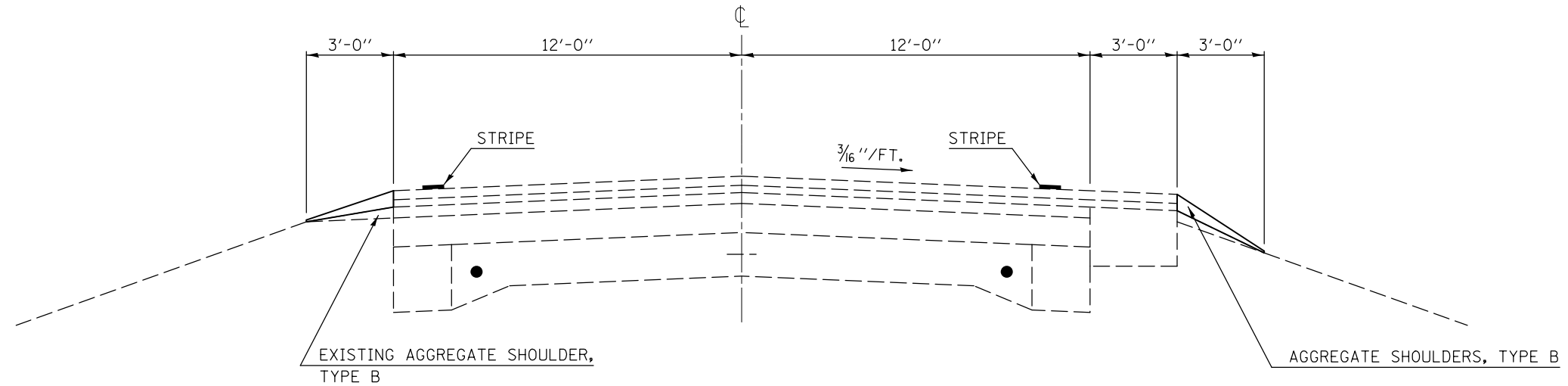


LOCATION #2 TYPICAL SECTION ⑤

F.A.P. ROUTE 721 (IL. 10)

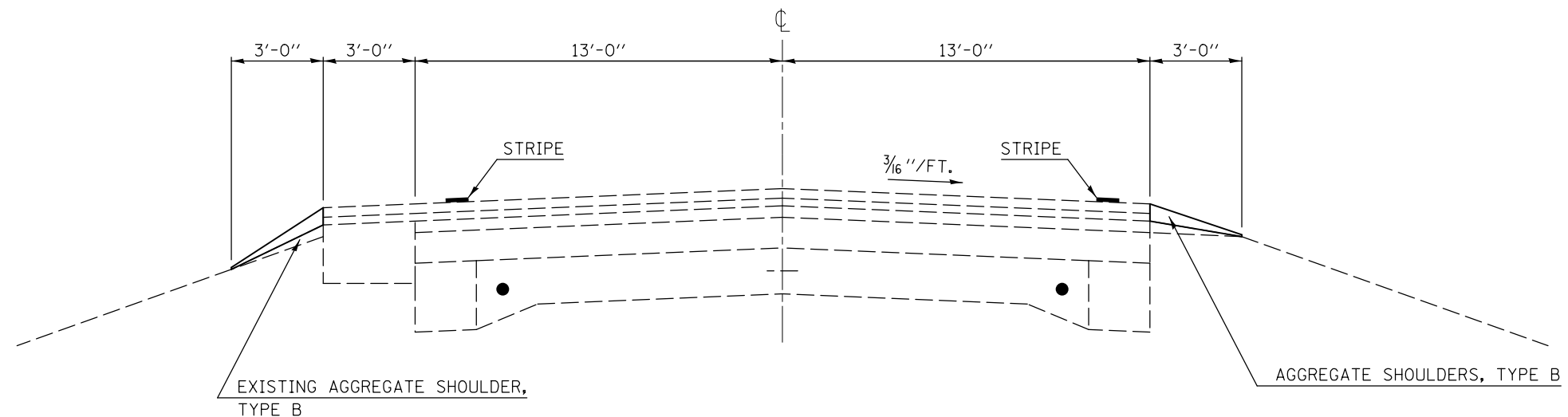
STATION TO STATION
 ② 1027+00.00 1042+58.00 ②



LOCATION #2 TYPICAL SECTION ⑥

F.A.P. ROUTE 721 (IL. 10)

STATION TO STATION
 ⑧ 1177+02.00 1185+48.00 ③



• SHOULDER REPAIR FY2013-1
 •• DEWITT, MCLEAN & PIATT

FILE NAME =	USER NAME = ceerlockjd	DESIGNED -	REVISED -	STATE OF ILLINOIS DEPARTMENT OF TRANSPORTATION	LOCATION #2 TYPICAL SECTIONS F.A.P. ROUTE 721 (IL. 10)			F.A. RTE.	SECTION	COUNTY	TOTAL SHEETS	SHEET NO.	
ci:\pwork\pwork\ceerlockjd\0336878\0570A23-sht-Typicals.dgn		DRAWN -	REVISED -		SCALE:	SHEET 3	OF 5	SHEETS	STA.	TO STA.	••	17	11
		CHECKED -	REVISED -								CONTRACT NO. 70A23		
MODELNAME	PLOT DATE = 3/20/2013	DATE -	REVISED -		ILLINOIS FED. AID PROJECT								