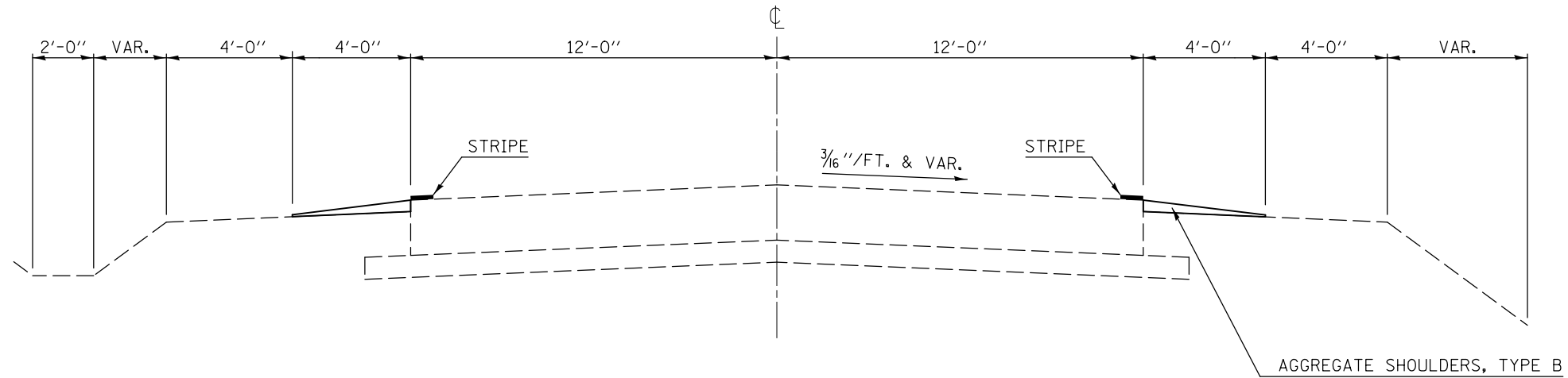


## LOCATION #2 TYPICAL SECTION ⑦

### F.A.P. ROUTE 721 (IL. 10)

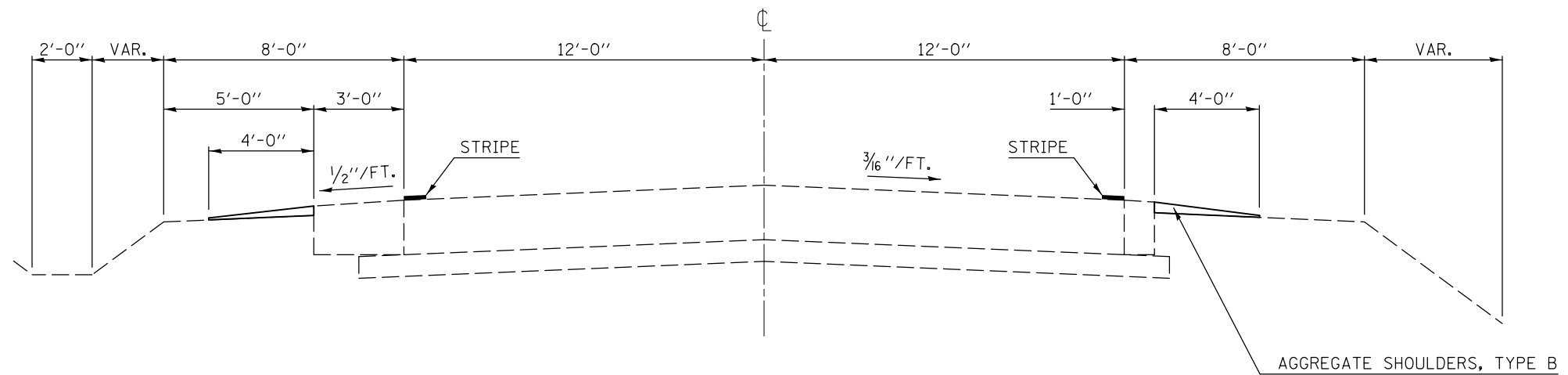
STATION TO STATION  
 ③ 1155+87.00 1166+58.29 (RAILTOAD OMISSION)  
 (RAILTOAD OMISSION) 1167+35.15 1175+75.00 ⑧



## LOCATION #2 TYPICAL SECTION ⑧

### F.A.P. ROUTE 721 (IL. 10)

STATION TO STATION  
 ⑦ 1175+75.00 1177+02.00 ⑥



• SHOULDER REPAIR FY2013-1  
 •• DEWITT, MCLEAN & PIATT

FILE NAME =	USER NAME = ceorlockjd	DESIGNED -	REVISED -	<b>STATE OF ILLINOIS DEPARTMENT OF TRANSPORTATION</b>	<b>LOCATION #2 TYPICAL SECTIONS F.A.P. ROUTE 721 (IL. 10)</b>	F.A. RTE.	SECTION	COUNTY	TOTAL SHEETS	SHEET NO.
ci:\pwork\pwork\ceorlockjd\0336878\0570A23-sht-Typicals.dgn		DRAWN -	REVISED -			VAR.	.	••	17	12
#MODELNAME#	PLOT SCALE = 40.0000' / in.	CHECKED -	REVISED -		SCALE:	SHEET 4 OF 5 SHEETS		STA.	TO STA.	
	PLOT DATE = 3/20/2013	DATE -	REVISED -						CONTRACT NO. 70A23	
						ILLINOIS FED. AID PROJECT				