

STATION EQUATIONS:

1340+47.00(BK) = 23+00.00(AH)
 60+00.00(BK) = 624+43.75(AH)

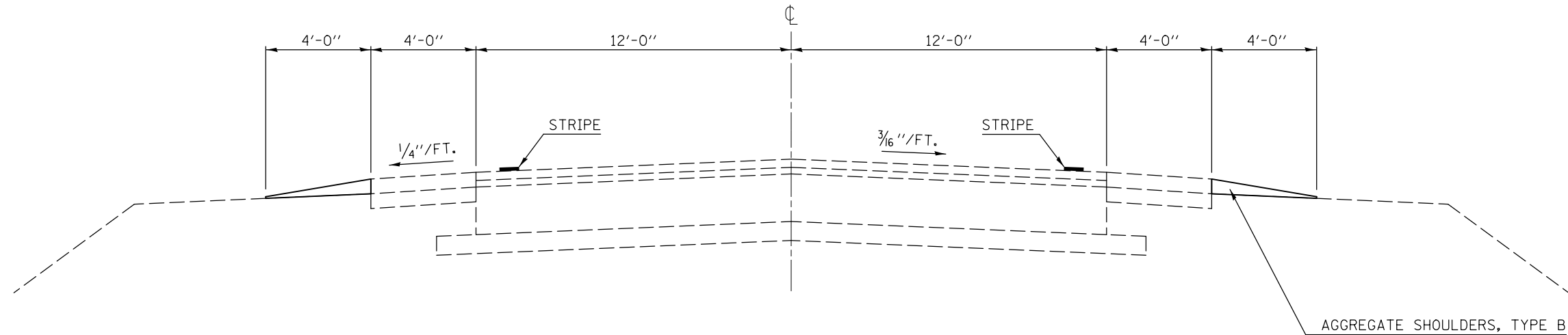
LOCATION #2 TYPICAL SECTION ⑨

F.A.P. ROUTE 721 (IL. 10)

② STATION 23+00.00 TO STATION 60+00.00 ⑩

STRUCTURE OMISSION:

S. N. 074-0007
 STA. 40+63.83 TO STA. 43+30.99



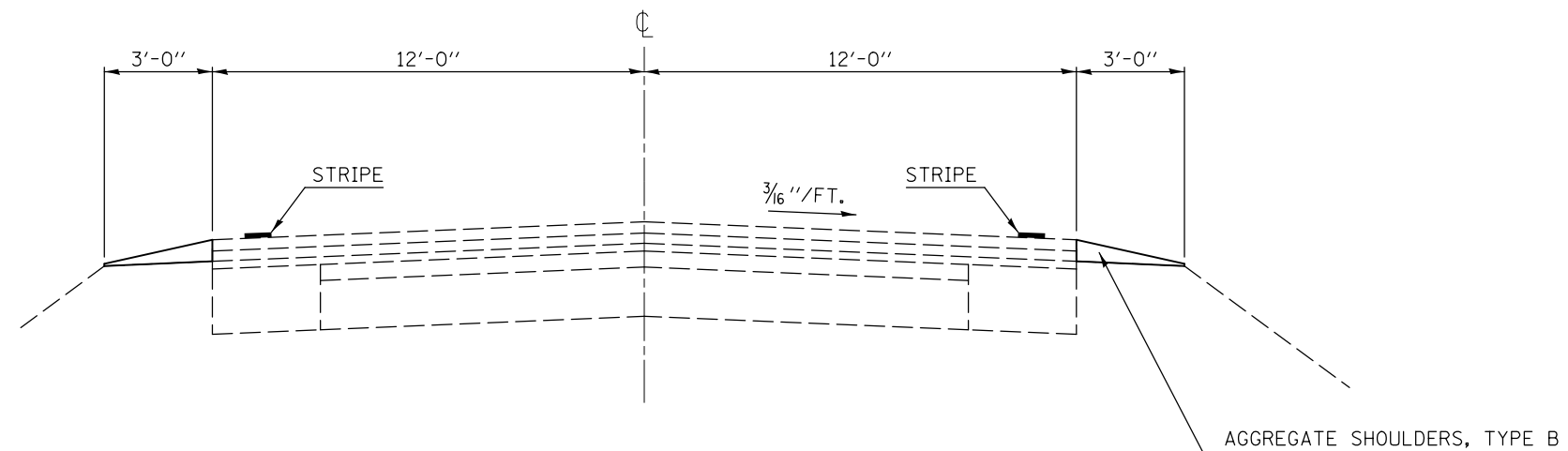
STATION EQUATION:

60+00.00(BK) = 624+43.75(AH)

LOCATION #2 TYPICAL SECTION ⑩

F.A.S. ROUTE 1513 (IL. 10)

⑨ STATION 624+43.75 TO STATION 563+40.00



• SHOULDER REPAIR FY2013-1
 •• DEWITT, MCLEAN & PIATT

FILE NAME =	USER NAME = ceerlockjd	DESIGNED -	REVISED -	STATE OF ILLINOIS DEPARTMENT OF TRANSPORTATION	LOCATION #2 TYPICAL SECTIONS F.A.P. ROUTE 721 (IL. 10)			F.A. RTE.	SECTION	COUNTY	TOTAL SHEETS	SHEET NO.	
ei:\pwork\pwork\ceerlockjd\0336878\0570A23-sht-Typicals.dgn		DRAWN -	REVISED -		SCALE:	SHEET 5	OF 5	SHEETS	STA.	TO STA.	••	17	13
		CHECKED -	REVISED -							CONTRACT NO. 70A23			
#MODELNAME#	PLOT DATE = 3/20/2013	DATE -	REVISED -		ILLINOIS FED. AID PROJECT								