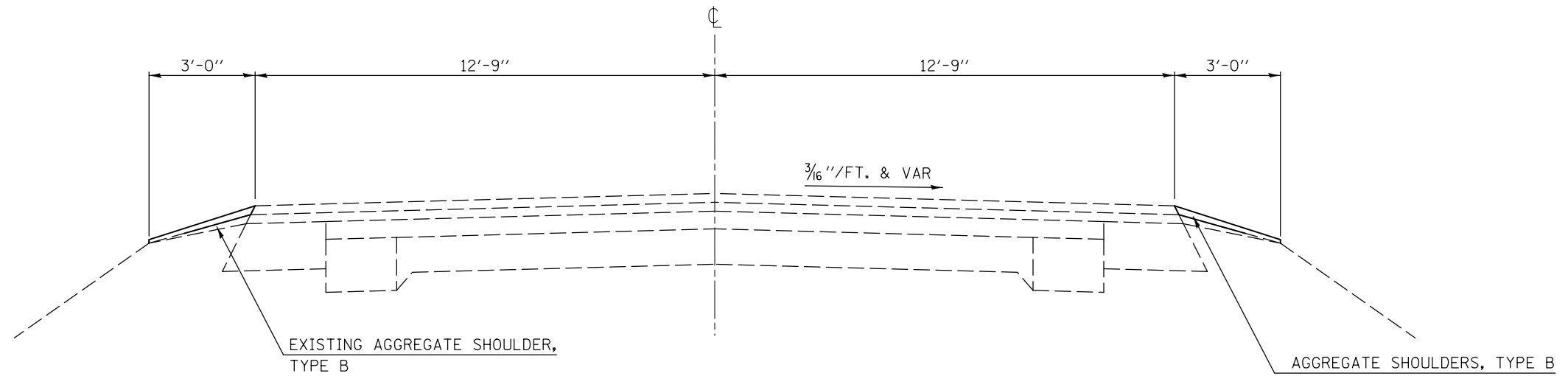


LOCATION #3 TYPICAL SECTION ①

F.A.S. ROUTE 1517 (U.S. 150)

STATION TO STATION
1026+75.00 1147+82.00



• SHOULDER REPAIR FY2013-1
•• DEWITT, MCLEAN & PIATT

FILE NAME =	USER NAME = ceerlockjd	DESIGNED -	REVISED -	STATE OF ILLINOIS DEPARTMENT OF TRANSPORTATION	LOCATION #3 TYPICAL SECTIONS F.A.S. ROUTE 1517 (U.S. 150)			F.A. RTE.	SECTION	COUNTY	TOTAL SHEETS	SHEET NO.
ei:\pwork\pwork\ceerlockjd\0336878\0570A23-sht-Typicals.dgn	DRAWN -	REVISED -	VAR.					.	**	17	14	
#MODELNAME#	PLOT SCALE = 40.0000' / in.	CHECKED -	REVISED -		SCALE:	SHEET 1	OF 1	SHEETS	STA.	TO STA.	CONTRACT NO. 70A23	
	PLOT DATE = 3/20/2013	DATE -	REVISED -								ILLINOIS FED. AID PROJECT	