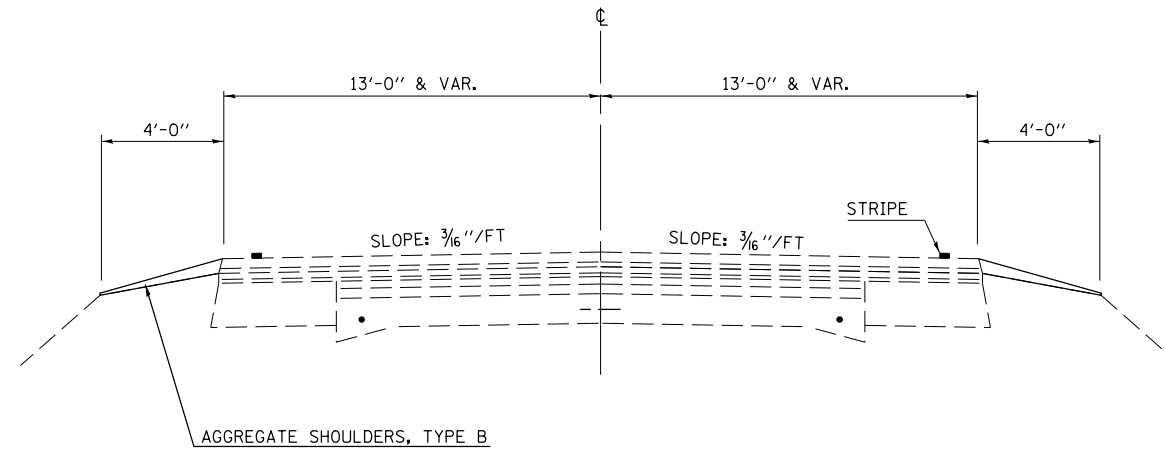


### LOCATION #2 TYPICAL SECTION ③

#### F.A.P. ROUTE 836 (IL. 49)

RAILROAD OMISSION:  
STA. 25+63.00 TO STA. 26+63.00

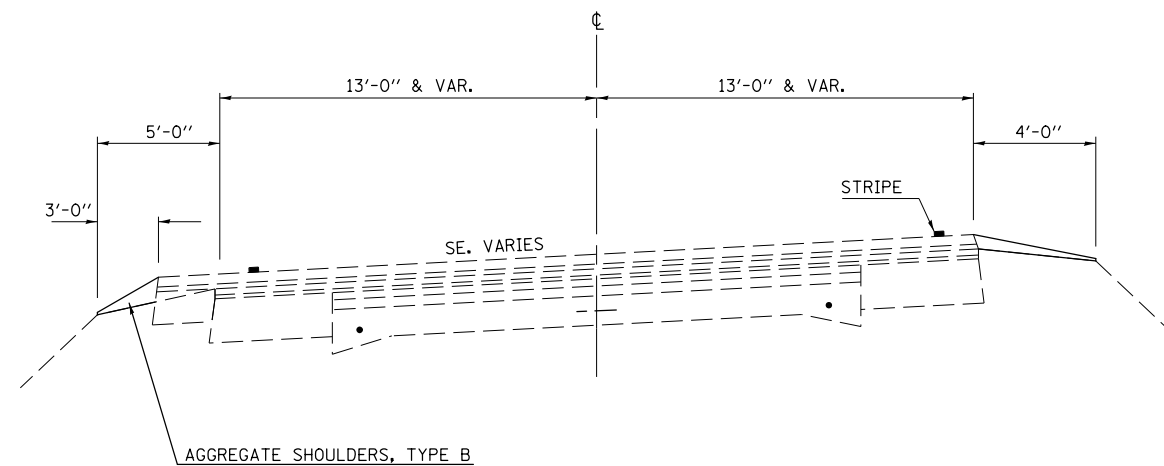
STATION	TO	STATION
② 9+67.10		④ 14+52.30
④ 22+20.20		⑤ 26+05.00



### LOCATION #2 TYPICAL SECTION ④

#### F.A.P. ROUTE 836 (IL. 49)

STATION	TO	STATION
③ 14+52.30		③ 22+20.20



•SHOULDER REPAIR FY2013-2  
•• DOUGLAS & EDGAR

FILE NAME =	USER NAME = ceerlockjd	DESIGNED -	REVISED -	<b>STATE OF ILLINOIS DEPARTMENT OF TRANSPORTATION</b>	<b>LOCATION #2 TYPICAL SECTIONS F.A.P. ROUTE 836 (IL. 49)</b>			F.A. RTE.	SECTION	COUNTY	TOTAL SHEETS	SHEET NO.	
ci:\pwork\pwork\ceerlockjd\0336898\0570A24-Sht-Typical.dgn		DRAWN -	REVISED -		SCALE:	SHEET 2 OF 3 SHEETS	STA.	TO STA.	VAR.	•	••	15	11
#MODELNAME#	PLOT DATE = 3/20/2013	CHECKED -	REVISED -					CONTRACT NO. 70A24			ILLINOIS FED. AID PROJECT		
		DATE -	REVISED -										