

STATE OF ILLINOIS
DEPARTMENT OF TRANSPORTATION

DATE	BY	APP'D	SCALE	SHEET NO.
11-20-13	MS-2	MACON	51	24
PROJECT				OF SHEETS
D7 BRIDGE PAINTING 2013-4				21

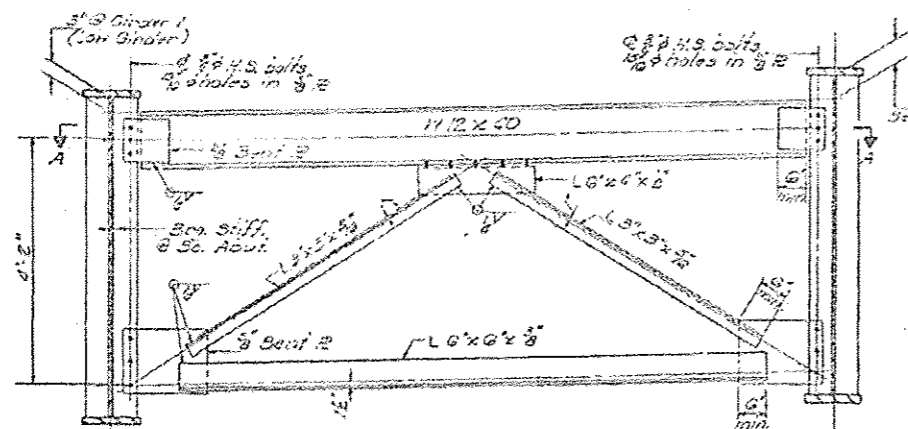
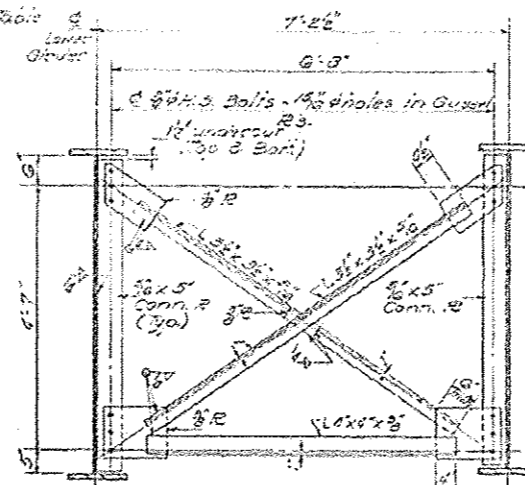


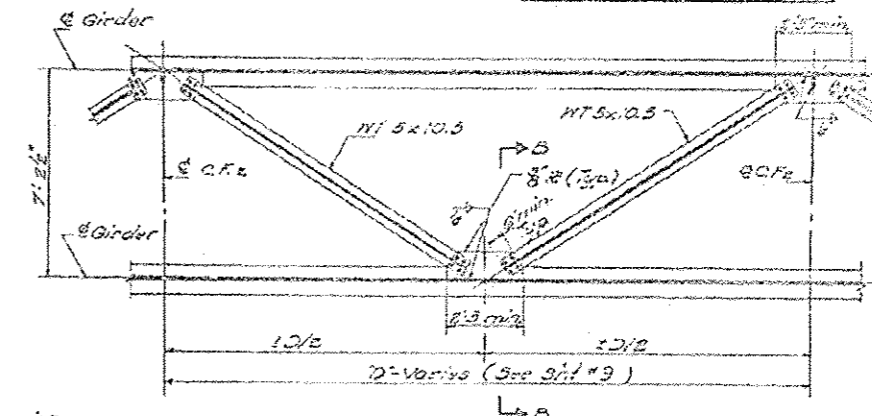
TABLE OF "A" DIMENSIONS

Girder	2	3	4	5	6
A	12	16	16	16	16

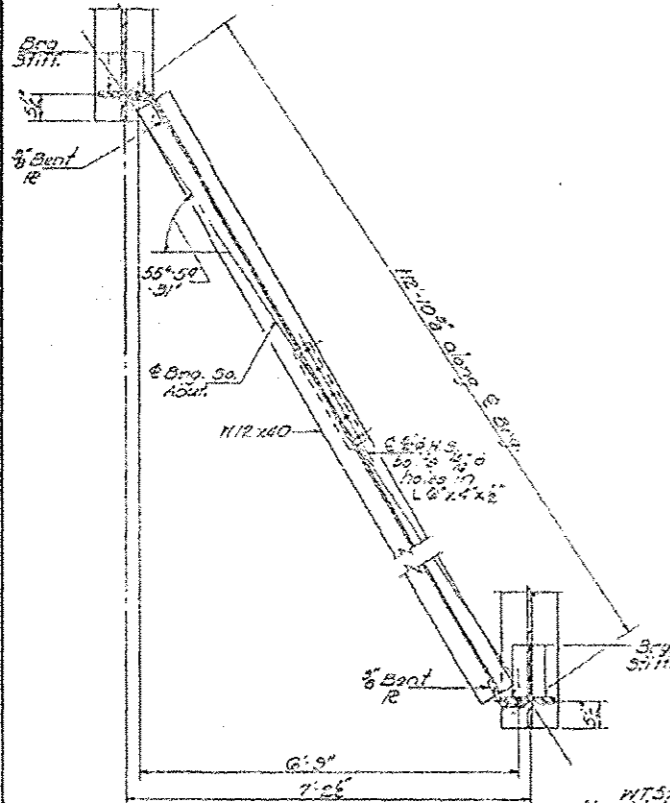
CROSS FRAME C.F.
No. Req'd: 5



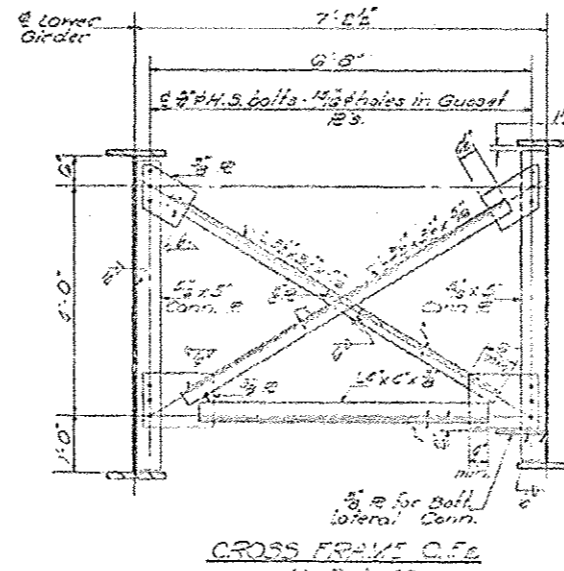
CROSS FRAME C.F.
No. Req'd: 60



TYR LATERAL BRACING PLAN



SECTION A-A



CROSS FRAME C.F.
No. Req'd: 30

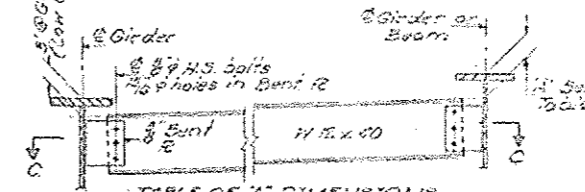
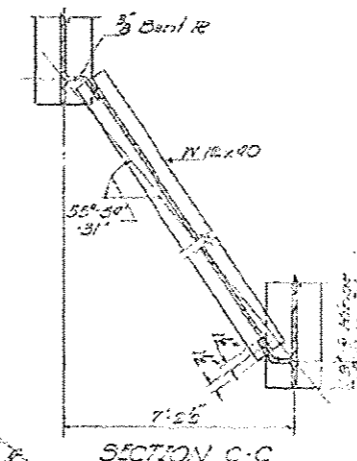


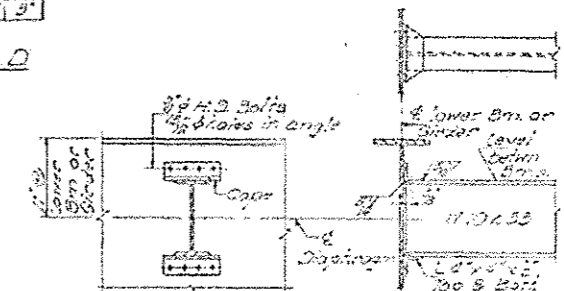
TABLE OF "A" DIMENSIONS

Girder	2	3	4	5	6
A	12	16	16	16	16

DIAPHRAGM D
No. Req'd: 15



SECTION C-C

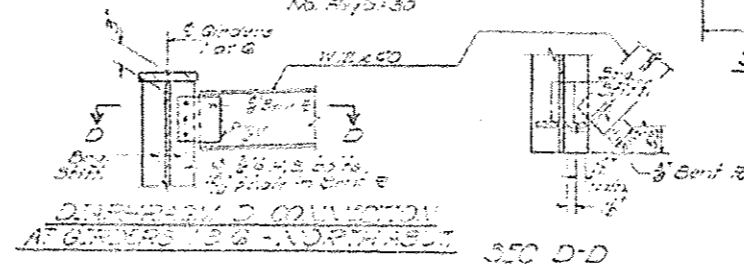
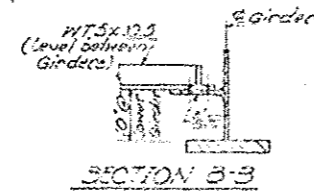


DIAPHRAGM D1
No. Req'd: 5

Note: Washers shall be required over 1/2" holes.

DESIGNED	EXAMINED
CHECKED	PASSED
DRAWN	APPROVED
CHECKED	

DESIGNED	EXAMINED
CHECKED	PASSED
DRAWN	APPROVED
CHECKED	



SEC D-D

STRUCTURAL STEEL DETAILS
F.A.P. 113
MACON COUNTY
STA. 31823.03