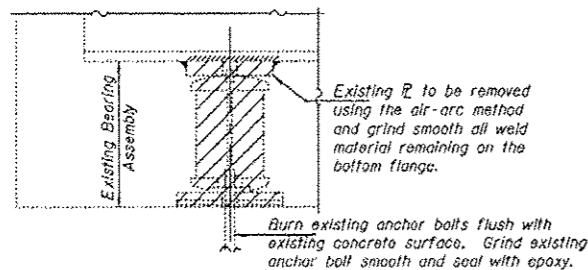
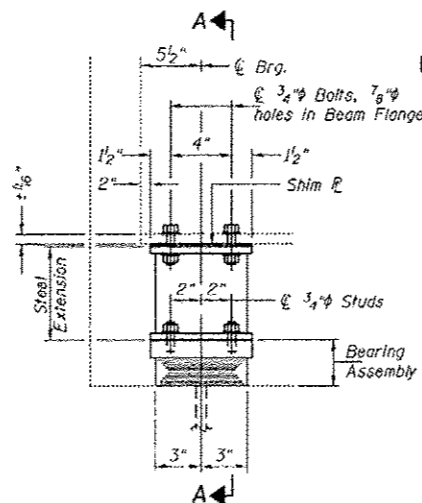


STATE OF ILLINOIS
DEPARTMENT OF TRANSPORTATION

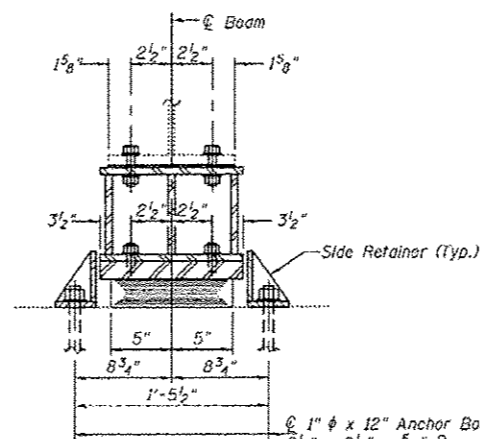


EXISTING BEARING REMOVAL DETAIL

Cost included with Jack and Remove Existing Bearings.

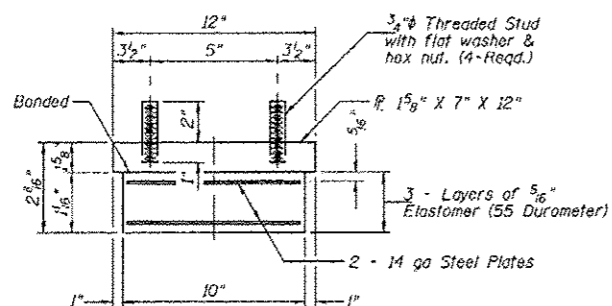


ELEVATION AT EAST AND WEST ABUTMENT



SECTION A-A

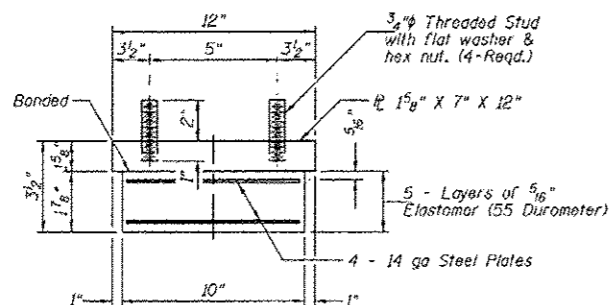
Notes:
Diaphragm removal and reinstallation may be required to facilitate drilling holes. Cost included with Furnishing and Erecting Structural Steel.
New steel extensions, shim plates and connection bolts are included with Furnishing and Erecting Structural Steel.
Prior to ordering any material, the Contractor shall verify in the field all bearing height and shim thickness dimensions. Min. Jack capacity = 25 Tons.
Anchor bolts shall be ASTM F1554 all-thread (or an Engineer-approved alternate material) of the grade(s) and diameter(s) specified. ASTM A307 Grade C anchor bolts may be used in lieu of ASTM F1554 Grade 36 (Fy=36ksi). The corresponding specified grade of AASHTO M314 anchor bolts may be used in lieu of ASTM F1554.
Anchor bolts at fixed bearings may be either cast in place or installed in holes drilled after the supported member is in place.
Drilled and set anchor bolts shall be installed according to Article 521.06 of the Standard Specifications.
Side retainers shall be included in the cost of Elastomeric Bearing Assembly, Type I.



WEST ABUTMENT BEARING ASSEMBLY

(10 Req'd)

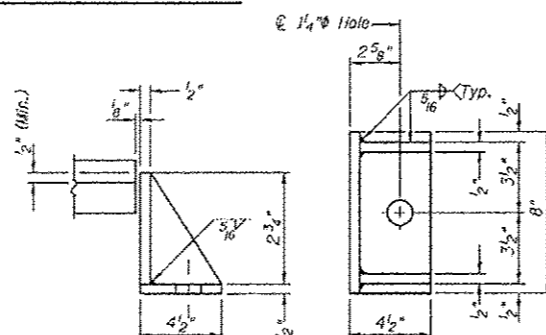
Note:
Shim plates shall not be placed under Bearing Assembly.



EAST ABUTMENT BEARING ASSEMBLY

(10 Req'd)

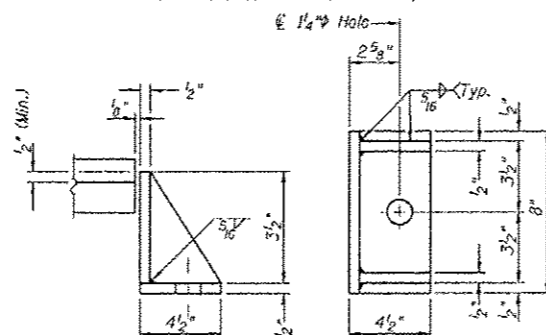
Note:
Shim plates shall not be placed under Bearing Assembly.



WEST ABUTMENT SIDE RETAINER

(20 Req'd)

Equivalent rolled angle with stiffeners will be allowed in lieu of welded plates.



EAST ABUTMENT SIDE RETAINER

(20 Req'd)

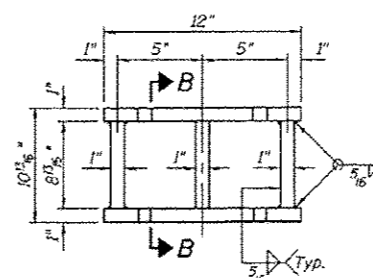
Equivalent rolled angle with stiffeners will be allowed in lieu of welded plates.

WEST ABUTMENT BEAM REACTIONS

RR	(K)	10.7
Rt	(K)	32.4
Imp.	(K)	9.7
R (Total)	(K)	52.8

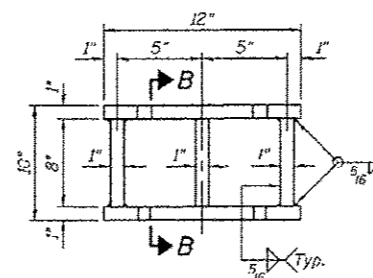
EAST ABUTMENT BEAM REACTIONS

RR	(K)	10.7
Rt	(K)	32.4
Imp.	(K)	9.7
R (Total)	(K)	52.8



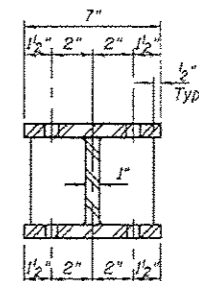
WEST ABUTMENT STEEL EXTENSION DETAIL

(10 Req'd)

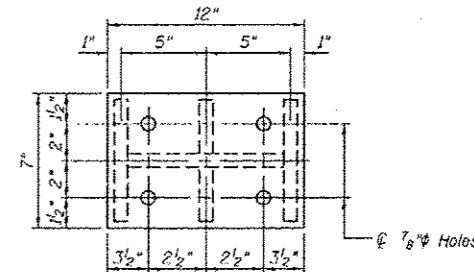


EAST ABUTMENT STEEL EXTENSION DETAIL

(10 Req'd)



SECTION B-B



PLAN TOP AND BOTTOM PLATE

BILL OF MATERIAL

Item	Unit	Total
Elastomeric Bearing Assembly, Type I	Each	20
Jack and Remove Existing Bearings	Each	20
Furnishing and Erecting Structural Steel	Pound	2,320
Anchor Bolts 1"	Each	40

**BEARING DETAILS
SN 058-0112**

SHEET NO. 2 2 SHEETS	F.A.P. RTE.	SECTION	COUNTY	TOTAL SHEETS	SHEET NO.
	714	48X-2(W,RS), 128(W-1,RS-2) & 128BY	MACON	100	96
FED. ROAD DIST. NO.		ILLINOIS FED. AID PROJECT		CONTRACT NO. 74405	

DESIGNED	V.H.V.
CHECKED	D.A.B.
DRAWN	Drew Christopher
CHECKED	V.H.V. D.A.B.

March 4, 2010
EXAMINED *A. Carl Pines*
PASSED *Walter E. Anderson*
ENGINEER OF STRUCTURAL SERVICES
ENGINEER OF BRIDGES AND STRUCTURES

TYI/REPS 12-03-2008

SLT-97-001-09