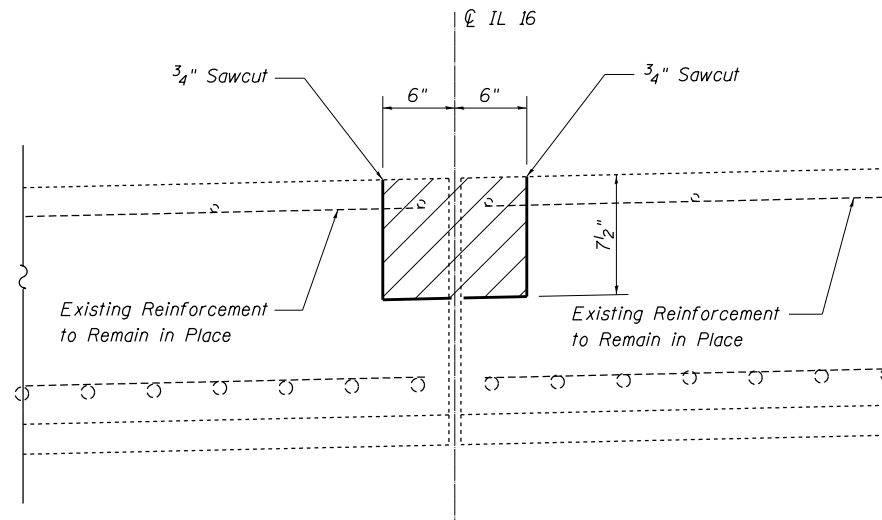
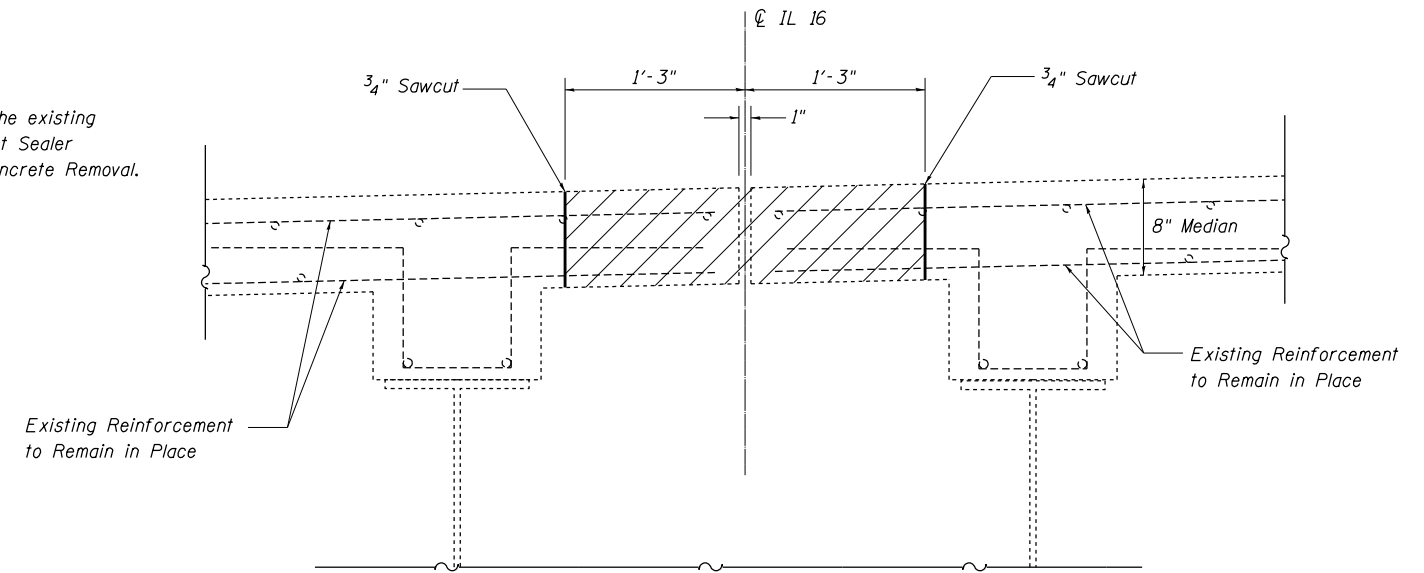


Hatching indicates Concrete Removal.



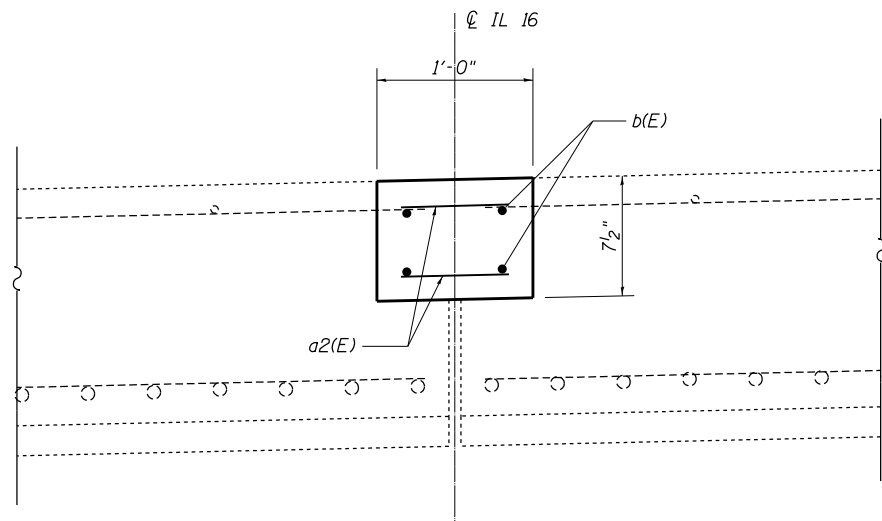
SECTION C-C
(Dimensions at Rt. L's to the CL IL 16)

Cost of the removal of the existing longitudinal Concrete Joint Sealer shall be included with Concrete Removal.

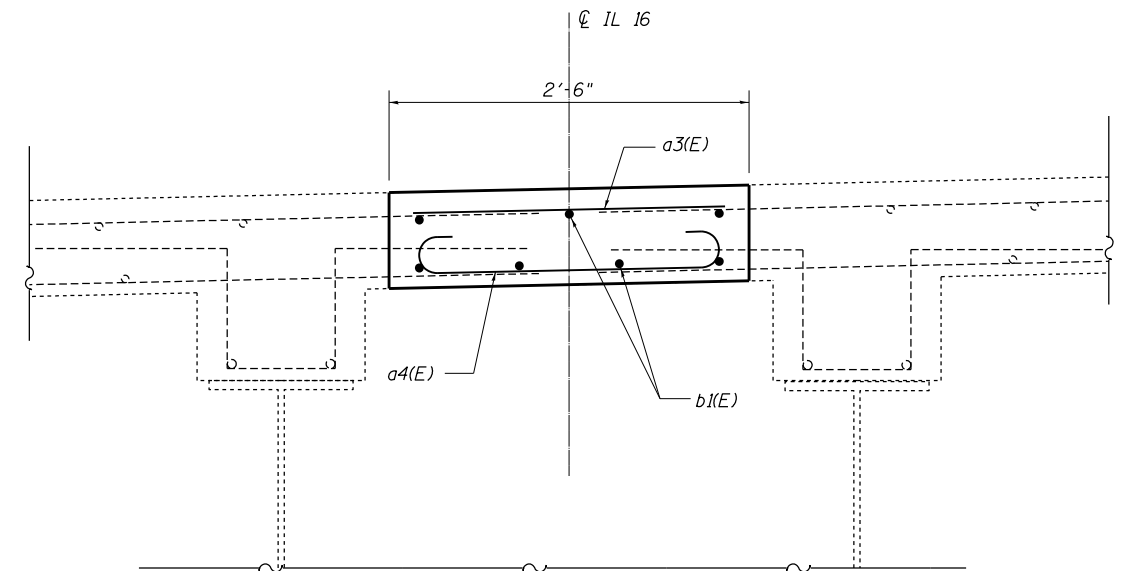


SECTION E-E
(Dimensions at Rt. L's to the CL IL 16)

- Existing Reinforcement
- Proposed Reinforcement



SECTION D-D
(Dimensions at Rt. L's to the CL IL 16)



SECTION F-F
(Dimensions at Rt. L's to the CL IL 16)

FILE NAME =	USER NAME = steffenmk	DESIGNED - KLB	REVISED -
ci:\pw_work\p\idot\stefenmk\d0187065\074615-shr-brdeta1.s.dgn		DRAWN - KLB	REVISED -
Default	PLOT SCALE = 40.0000' / in.	CHECKED - MEA	REVISED -
	PLOT DATE = 3/28/2013	DATE - 10/31/2012	REVISED -

**STATE OF ILLINOIS
DEPARTMENT OF TRANSPORTATION**

**LONGITUDINAL JOINT CLOSURE DETAILS
SN. 087-0020**

SCALE: SHEET 8 OF 17 SHEETS STA. TO STA.

F.A.P. RTE.	SECTION	COUNTY	TOTAL SHEETS	SHEET NO.
325	(11B-1)BR	SHELBY	32	23
CONTRACT NO. 74615			ILLINOIS FED. AID PROJECT	