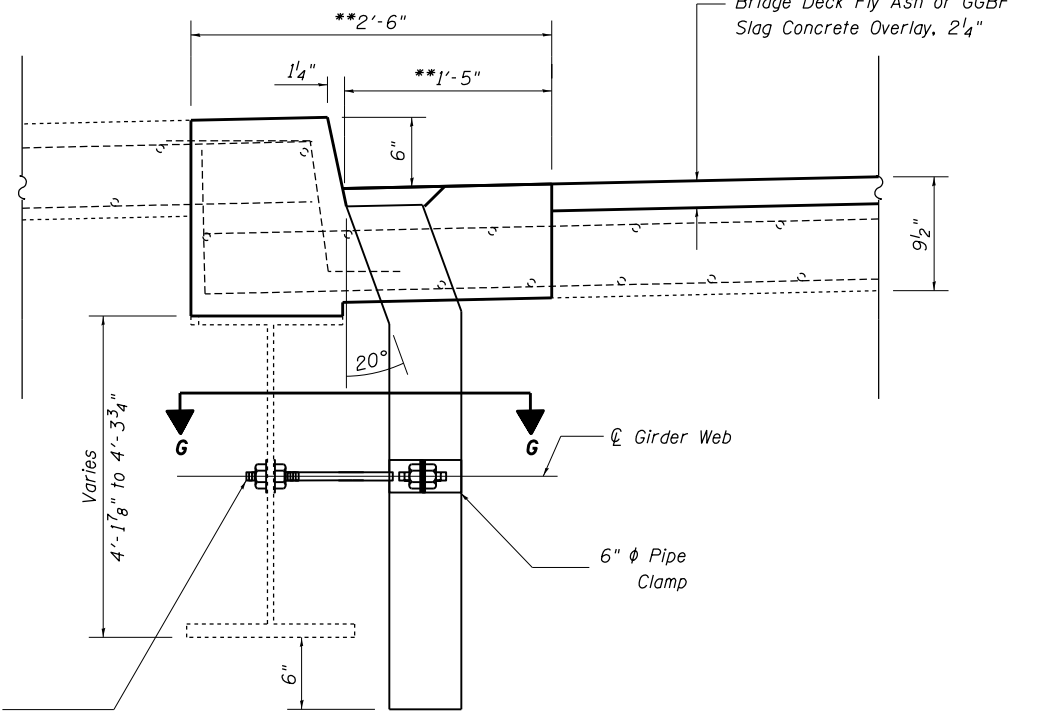
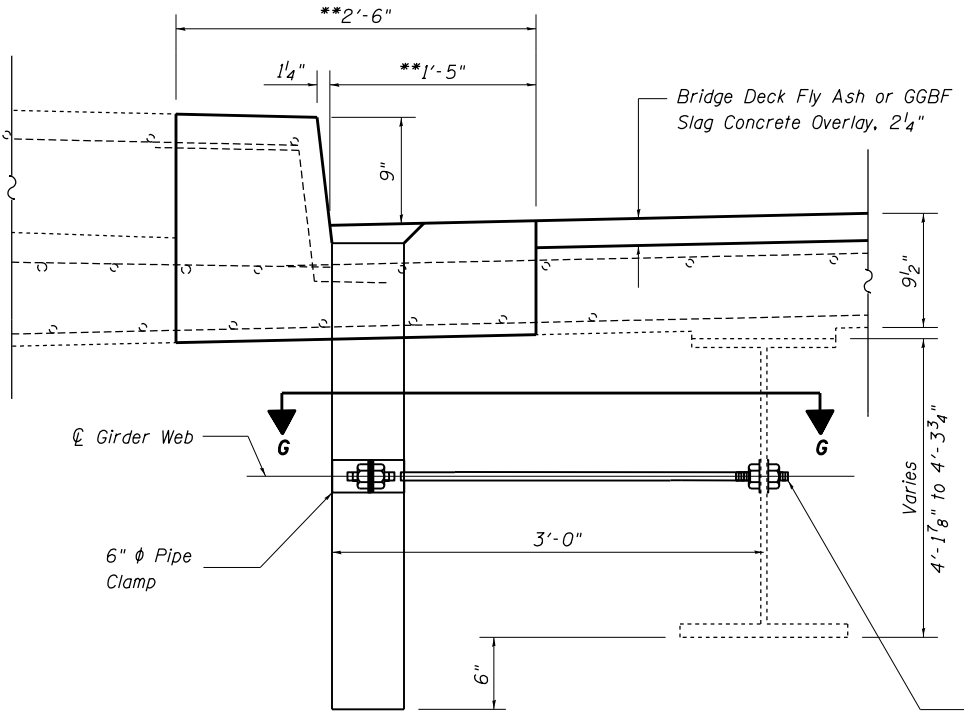


**SECTION THRU EXISTING FLOOR DRAIN AT SIDEWALK**

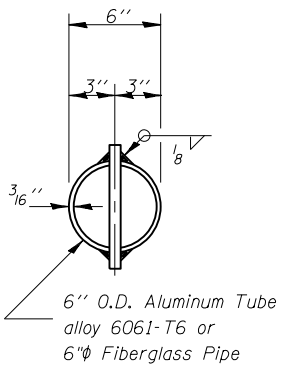
**SECTION THRU EXISTING FLOOR DRAIN AT MEDIAN**



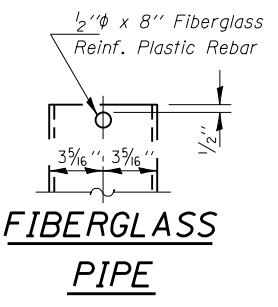
**DRAIN REPLACEMENT DETAIL AT SIDEWALK**

**DRAIN REPLACEMENT DETAIL AT MEDIAN**

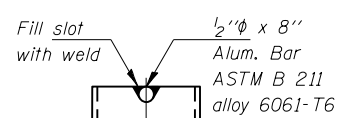
**TOP PLAN**



**TOP PLAN (Showing Aluminum Tube)**



**FIBERGLASS PIPE**



**ALUMINUM TUBE**

Note: See "Bridge Deck Patching" plan sheets for Floor Drain replacement location and Floor Drain Removal locations. See "Total Bill of Materials" for quantities.

Notes: The floor drains shall be painted to match the outside of the fascia beams. The exterior surfaces of the drains shall be cleaned according to Society of Protective Coatings Specification SSPC-SPI prior to painting. Fiberglass pipe shall conform to ASTM D 2996, with short-time rupture strength hoop tensile stress of 30,000 p.s.i. minimum. Galvanize clamping device according to AASHTO M232. Cost of clamping device and galvanizing is included with Floor Drains.

Note: Concrete removal and replacement quantities for drains are included in Deck Slab Repair (Full Depth, Type II) as shown on "Bridge Deck Patching" plan sheets.

FILE NAME =	USER NAME = steffenmk	DESIGNED - DFZ	REVISED -	<b>STATE OF ILLINOIS DEPARTMENT OF TRANSPORTATION</b>	<b>DECK DRAIN DETAILS SN. 087-0020</b>	F.A.P. RTE.	SECTION	COUNTY	TOTAL SHEETS	SHEET NO.	
Default	ei:\pw\work\p\dot\steffenmk\d0187065\074615-shr-brd\details.dgn	DRAWN - DFZ	REVISED -			325	(11B-1)BR	SHELBY	32	24	
	PLOT SCALE = 40.0000' / in.	CHECKED - MEA	REVISED -			CONTRACT NO. 74615					
	PLOT DATE = 3/28/2013	DATE - 10/31/2012	REVISED -			ILLINOIS FED. AID PROJECT					