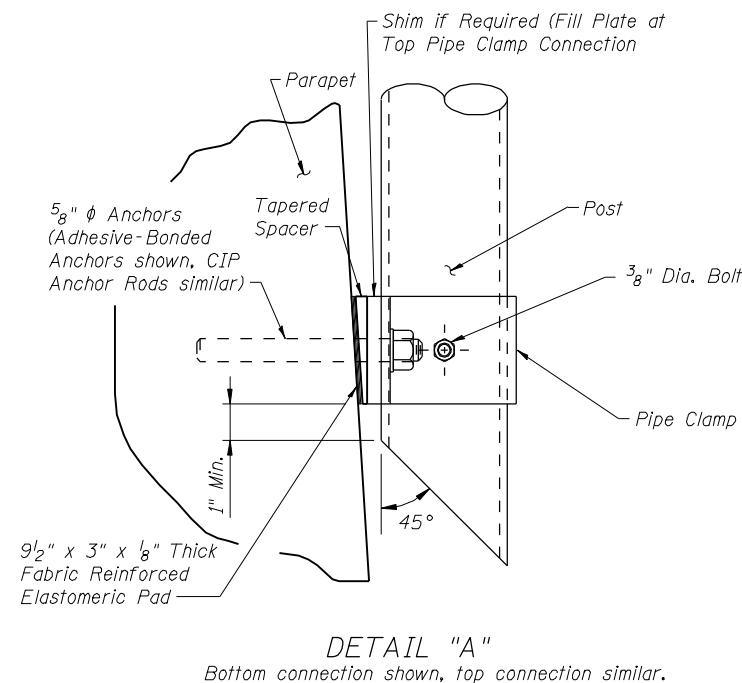
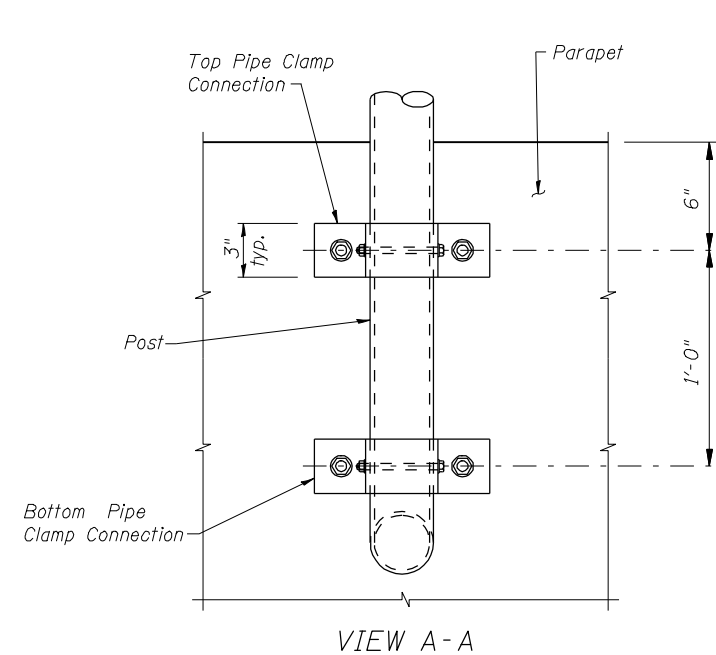


17-OCT-2012 16:26 P:\CX31000\100cadd\7095tr\FINAL PLANS\0820334-76848-022-Fence_Details.dgn

TABLE OF CHAIN LINK FENCE COMPONENTS		
COMPONENT	ASTM DESIGNATION	COMPONENT INFORMATION
Posts	F 1083	Galvanized Steel Pipe - 3" NPS, Schedule 40 (3.500" Outside Diameter, 0.216" Wall Thickness)
Chain Link Fabric (2" mesh with twisted top and knuckled bottom selvage)	A 392	Zinc Coated Steel - No. 9 gage (coated wire diameter), Class 2 Coating
	A 491	Aluminum Coated Steel - No. 9 gage (coated wire diameter)
	F 668	Polyvinyl Chloride (PVC) Coated Steel - No. 9 gage Zinc Coated Wire (metallic-coated core wire diameter), Gray
Tie Wires	F 626	Zinc Coated Steel Wire - No. 9 gage
Brace Bands	F 626	No. 12 Gage (min. thickness) x 3/4" (min. width) Steel Bands (Beveled or Heavy)
Tension Bars	F 626	1/4" (min. thickness) x 3/4" (min. width) x 5'-10" (min. height) Steel Bars
Tension Bands	F 626	1/8" (min. thickness) x 1" (min. width) Steel Bands
Miscellaneous Fence Components	F 626	Zinc Coated Steel - (includes post caps, horizontal and brace rail ends, combination rail ends, boulevard clamps and all other miscellaneous fittings & hardware)
Tension Wire	A 824 and A 817	Typ II (Zinc coated steel wire) - No. 7 gage, class 4 coating
		Type I (Aluminum coated steel wire) - No. 7 gage
Hog Rings	F 626	Zinc coated steel wire - No. 12 gage
Brace Rails	F 1083	Galvanized Steel Pipe - 1 1/4" NPS, Schedule 40 (1.660" outside diameter, 0.0140" wall thickness)

LEGEND: NPS = Nominal Pipe Size

TABLE OF POST ATTACHMENT COMPONENTS		
COMPONENT	ASTM DESIGNATION	COMPONENT INFORMATION
Pipe Clamps	A 36 or A 709 Grade 36	1/4" Galvanized Steel Plate
Shim Plates	A 36 or A 709 Grade 36	Plate thicknesses as required; Holes in shim plates will be 3/4" Dia.
Spacers	A36 or A709 Grade 36	Galvanized Plate for all materials. See Detail for thickness and taper.
Adhesive Anchor Rods	F 1554 Grade 36	Fully threaded Headless Anchor Rods - 5/8" Dia.
CIP Anchor Rods	F 1554 Grade 36	Hex Head Anchor Rods - 5/8" Dia.
Bolts	A 307	3/8" Dia. x 4 3/4" Hex Head Bolts for Pipe Clamp Connections to Posts
Nuts	A 563	Hex Nuts for Pipe Clamp Connections
Washers	F 436	Flat Washers for Pipe Clamp Connections
Fabric Reinforced Elastomeric Pads	-	In accordance with Section 1028 of the Standard Specifications



POST ATTACHMENT NOTES

ANCHOR RODS, NUTS AND WASHERS:
 After the nuts have been tightened, distort the Anchor Rod threads to prevent removal of the nuts. Coat distorted threads and exposed trimmed ends of anchors with one coat of aluminum epoxy mastic paint.

COATINGS:
 Hot-dip galvanize all Nuts, Washers, Bolts, CIP Anchor Rods, Adhesive Anchors and Fence Framework (Posts, Internal Sleeves, Shim Plates, Pipe Clamps and Spacers) in accordance with Section 1006.27 of the Standard Specifications. Hot-dip galvanize Fence Framework after fabrication.

ADHESIVE-BONDED ANCHORS AND DOWELS:
 Adhesive Bonding Material Systems for Anchors and Dowels will comply with and be installed in accordance with Section 509.06 of the Standard Specifications. Cutting of reinforcing steel is permitted for drilled hole installation.

WELDING:
 All welding will be in accordance with the American Welding Society Structural Welding Code (Steel) ANSI/AWS D1.1 (current edition). Weld metal will be E60XX or E70XX. Nondestructive testing of welds is not required.



USER NAME =	DESIGNED - N. KHATRI	REVISED -
	CHECKED - R. RILEY	REVISED -
PLOT DATE = 17-OCT-2012	DRAWN - E. BAZZELL	REVISED -
	CHECKED - R. RILEY	REVISED -

**STATE OF ILLINOIS
 DEPARTMENT OF TRANSPORTATION**

**BRIDGE FENCE RAILING DETAILS
 STRUCTURE NO. 082-0334 (N.B.) & 082-0335 (S.B.)**

F.A.P. RTE.	SECTION	COUNTY	TOTAL SHEETS	SHEET NO.
788	520-1-2HVB	ST. CLAIR	237	79
CONTRACT NO. 76848				