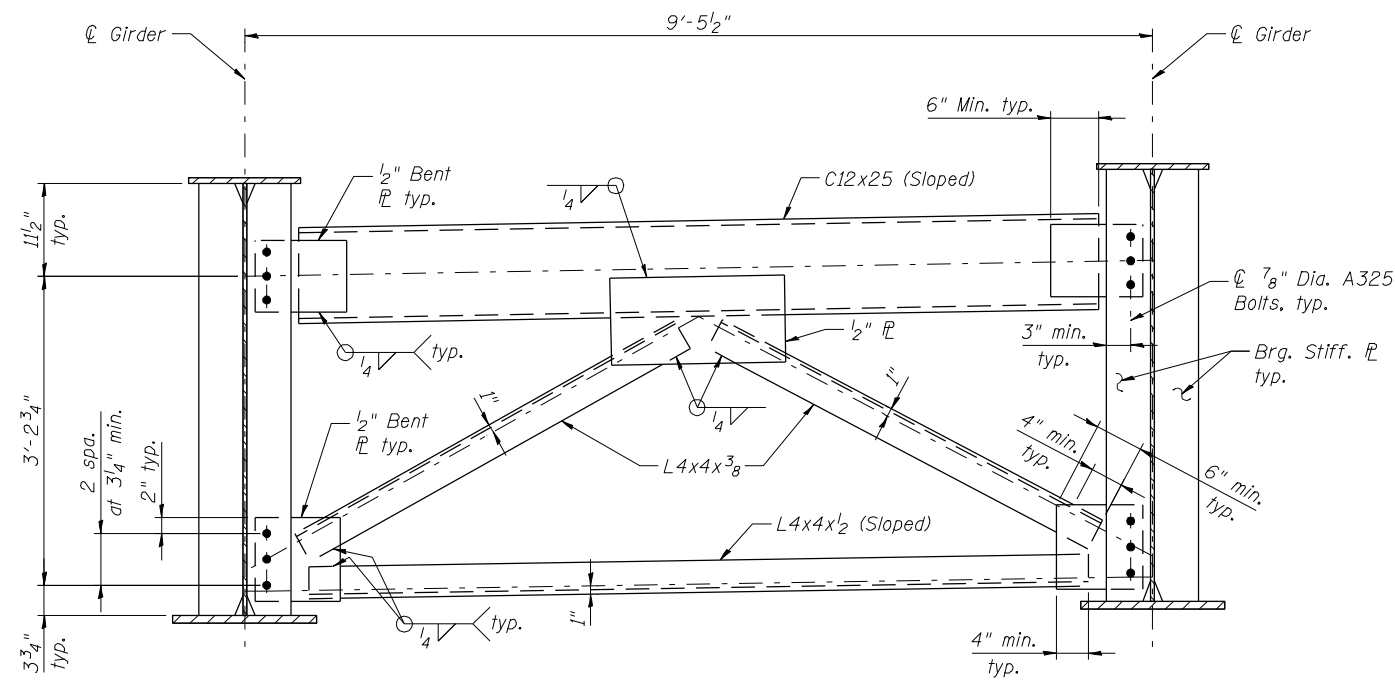
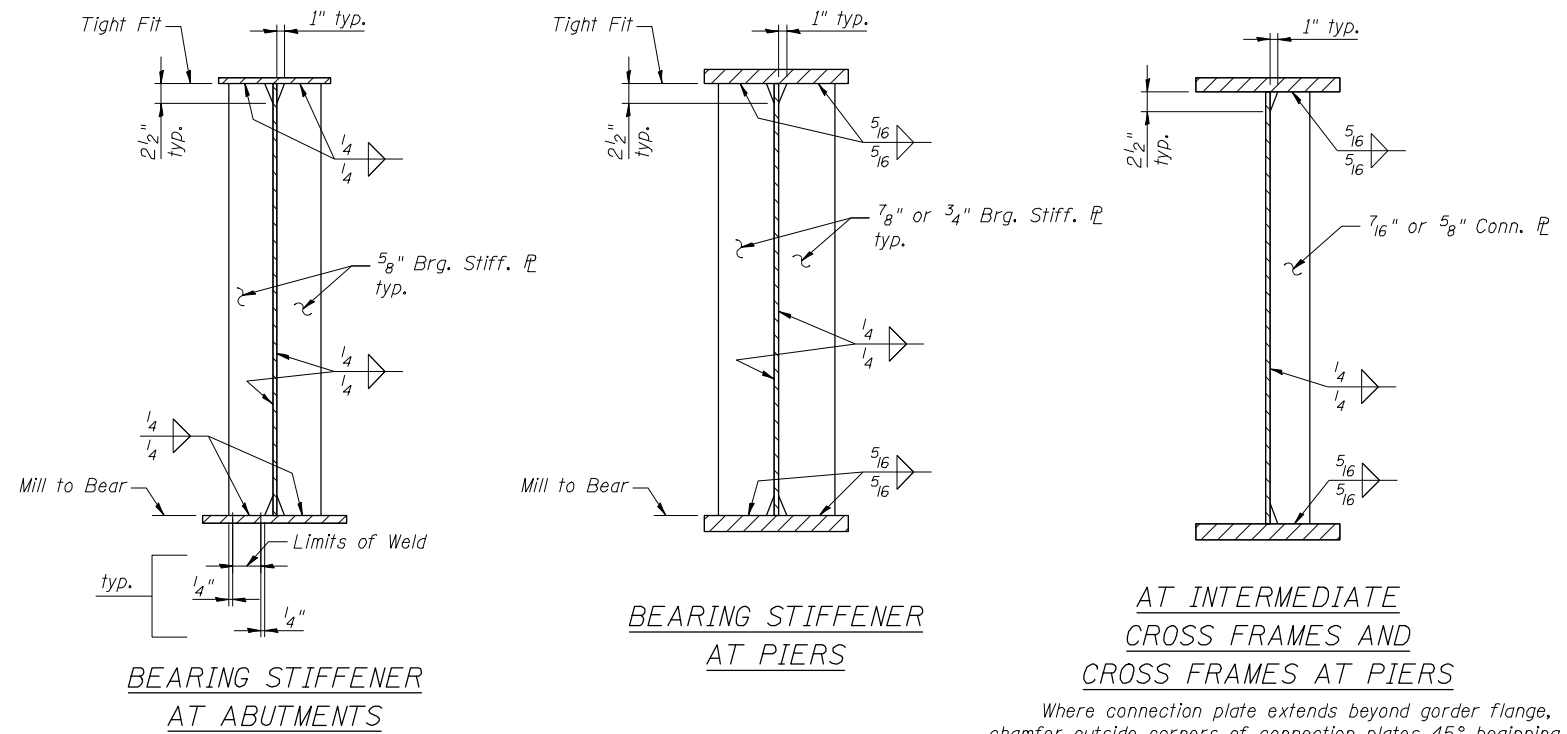


17-OCT-2012 P:\CX31000\100cadd\109511\FINAL PLANS\0820334-76848-032-Cross Frame.dgn



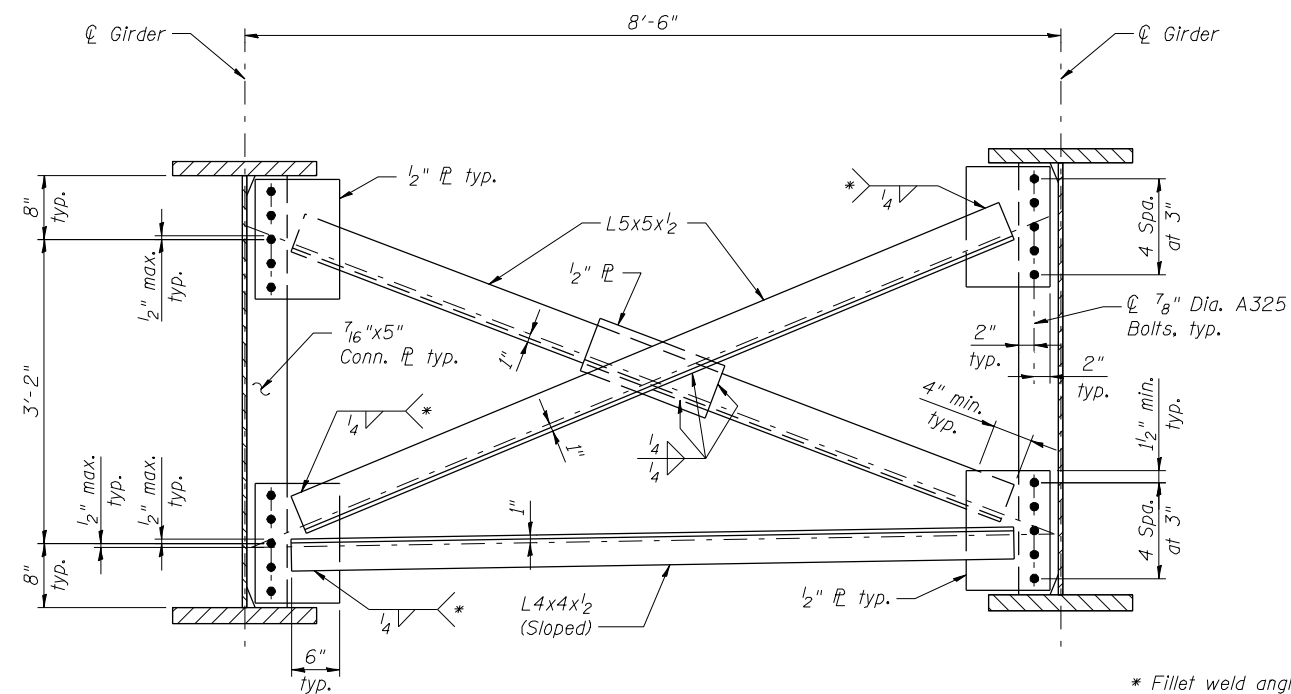
**END CROSS FRAME AT ABUTMENTS**

Place C12 flanges and outstanding angle legs facing away from abutment backwall.



**CONNECTION PLATE DETAILS**

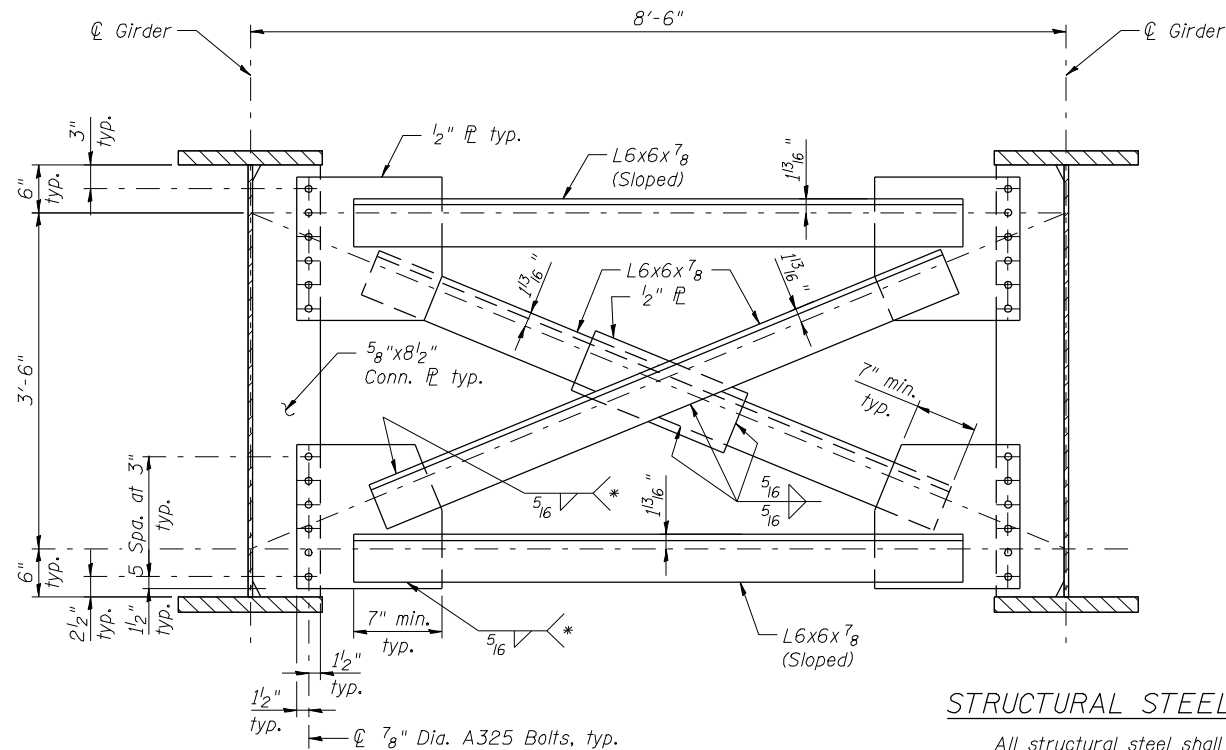
Where connection plate extends beyond girder flange, chamfer outside corners of connection plates 45° beginning at the outside edge of the flange plate.



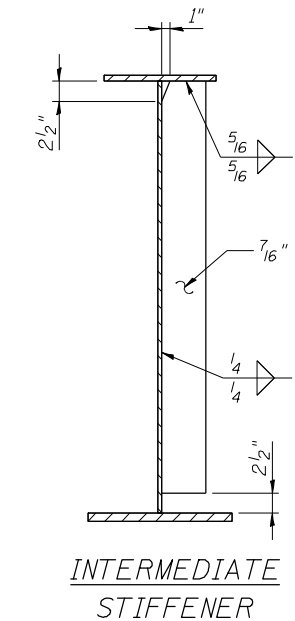
**TYPICAL INTERMEDIATE CROSS FRAME**

\* Fillet weld angles along 3 sides on one face of gusset plate.

Note: "NTR" denotes members that shall conform to the Supplemental Requirements for Notch Toughness, Zone 2.



**CROSS FRAME AT PIERS**



**INTERMEDIATE STIFFENER**

**STRUCTURAL STEEL NOTES**

- All structural steel shall be AASHTO M270, Grade 50 unless otherwise noted.
- All cross frames and connecting plates shall conform to the requirements of AASHTO M270, Grade 36.
- Fasteners shall be 7/8" diameter high strength bolts with 1 1/16" diameter open holes unless otherwise noted.
- Two hardened washers shall be required for all oversized holes.
- High strength bolts are designed for a Class A contact surface in a standard hole for a slip-critical connection.
- The contact surface of joints with oversized holes shall be free of paint or lacquer.
- All bearing stiffeners shall be vertical in the completed structure.



USER NAME =	DESIGNED - M. CRONIN	REVISED -
PLOT DATE = 17-OCT-2012	CHECKED - R. RILEY	REVISED -
	DRAWN - E. KRACK	REVISED -
	CHECKED - J. SMITH	REVISED -

**STATE OF ILLINOIS  
DEPARTMENT OF TRANSPORTATION**

**CROSS FRAME DETAILS  
STRUCTURE NO. 082-0334 (N.B.) & 082-0335 (S.B.)**

F.A.P. RTE.	SECTION	COUNTY	TOTAL SHEETS	SHEET NO.
788	520-1-2HVB	ST. CLAIR	237	89
CONTRACT NO. 76848				

SHEET NO. C32 OF 76 SHEETS

ILLINOIS FED. AID PROJECT