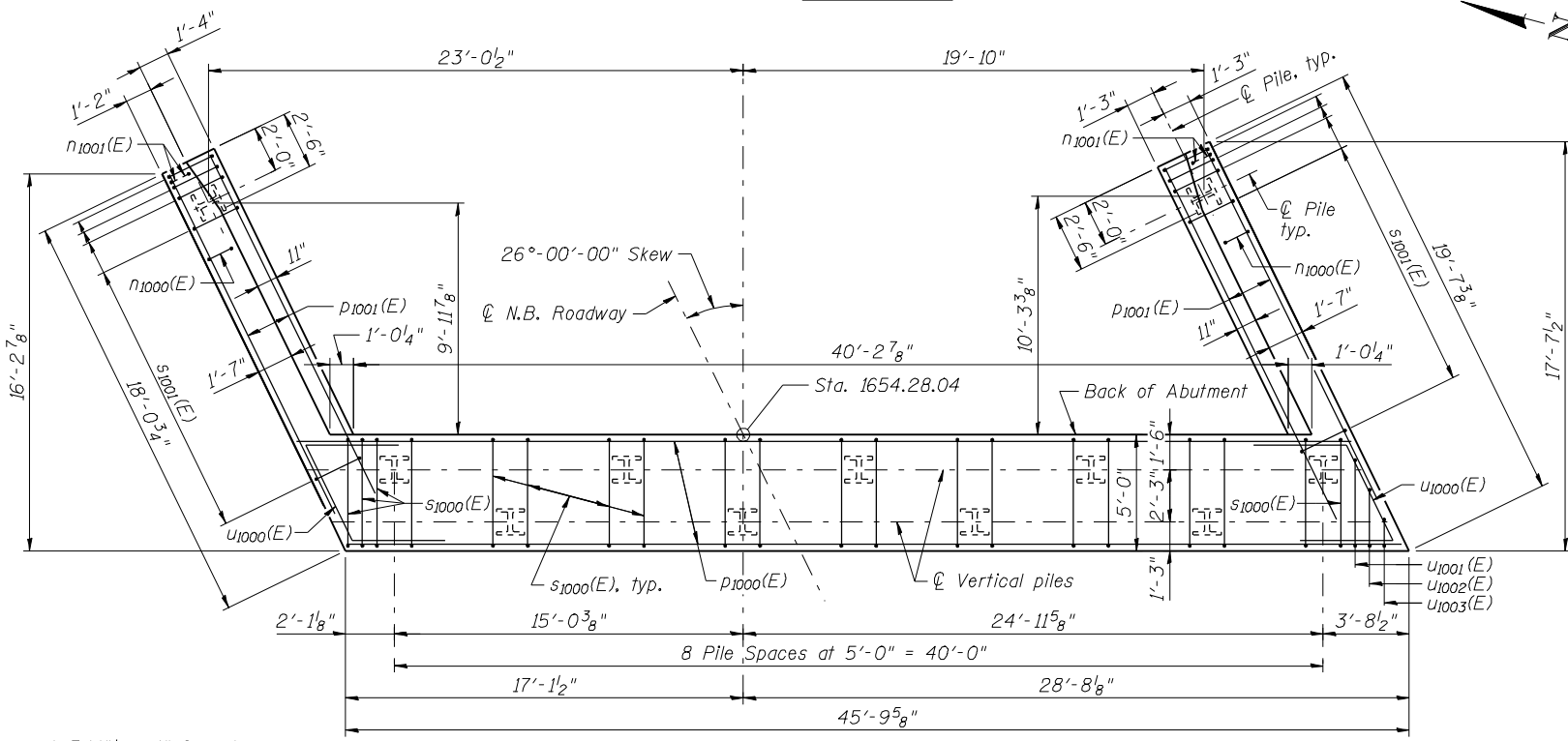
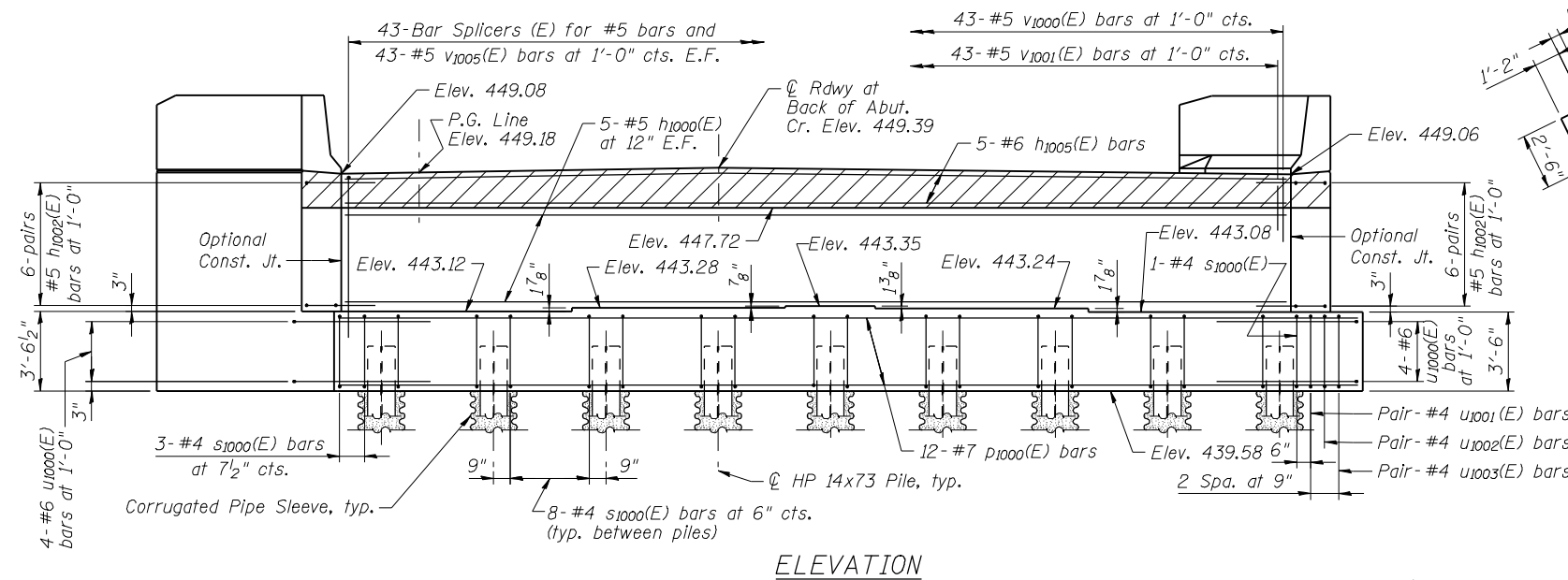
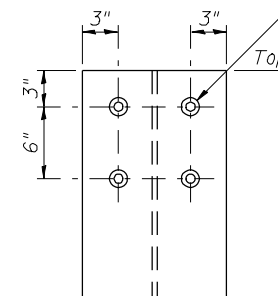


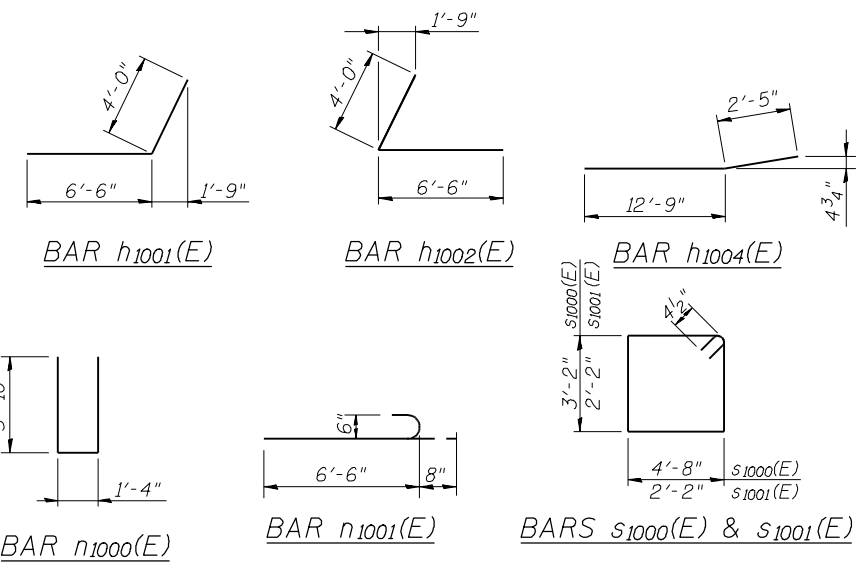
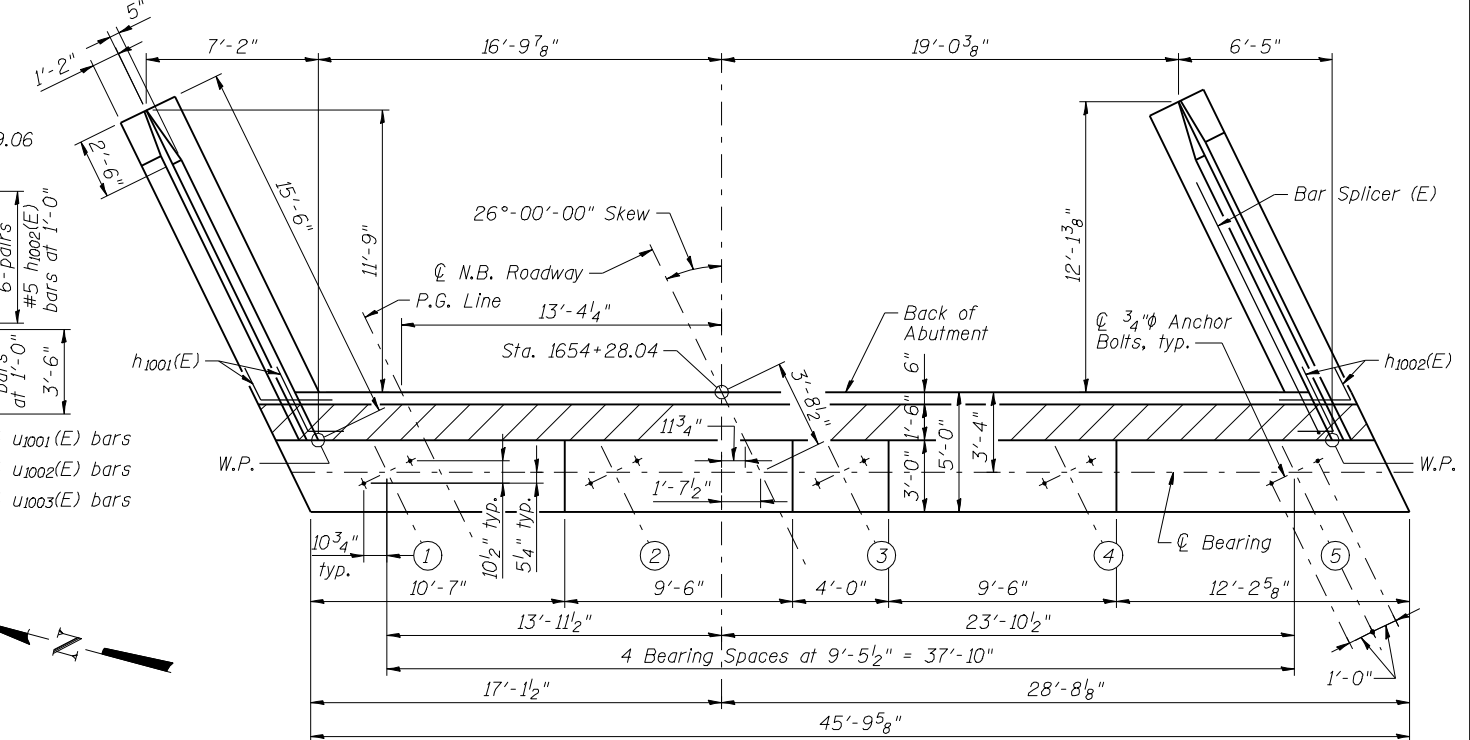
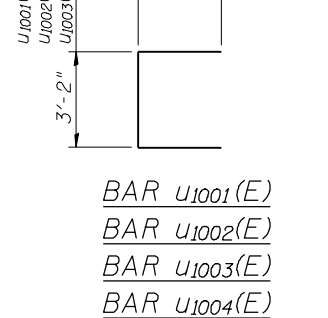
17-OCT-2012 P:\CX31000\1000\ADD\1095\FINAL PLANS\0820334-76848-038-N ABUT(NB).dgn 16:31



4-3/4"φ x 4" Granular or  
 solid flux filled headed studs  
 automatically end welded  
 (Typ. each flange, each pile)



**SEISMIC PILE DETAILS**  
 Cost of 3/4"φ Studs shall be included  
 in item "Furnishing Steel Piles, HP14x73."



**NORTH ABUTMENT - N.B.**  
**BILL OF MATERIAL**

Bar	No.	Size	Length	Shape
h1000(E)	10	#5	42'-0"	
h1001(E)	12	#5	10'-6"	
h1002(E)	12	#5	10'-6"	
h1003(E)	12	#4	15'-11"	
h1004(E)	18	#4	15'-2"	
h1005(E)	5	#6	42'-0"	
h1006(E)	12	#4	14'-5"	
h1007(E)	3	#4	15'-4"	
h1008(E)	3	#4	15'-0"	
n1000(E)	26	#6	13'-0"	
n1001(E)	12	#6	7'-2"	
p1000(E)	12	#7	45'-5"	
p1001(E)	12	#7	17'-2"	
s1000(E)	68	#4	16'-5"	
s1001(E)	32	#4	9'-5"	
u1000(E)	8	#6	14'-1"	
u1001(E)	2	#4	11'-6"	
u1002(E)	2	#4	8'-8"	
u1003(E)	2	#4	5'-6"	
v1000(E)	43	#5	3'-9"	
v1001(E)	43	#4	3'-4"	
v1002(E)	32	#6	9'-2"	
v1003(E)	6	#6	8'-7"	
v1004(E)	26	#6	9'-3"	
v1005(E)	86	#5	7'-3"	
Concrete Structures			Cu. Yd.	62.6
Reinforcement Bars, Epoxy Coated			Pound	6620
Furnishing - Piles, HP14x73			Foot	1350.0
Driving Piles			Foot	1350.0
Test Pile, HP14x73			Each	1
Concrete Sealer			Sq. Ft.	414

**NOTES**  
 Top of backwall shall conform to longitudinal  
 grade and cross slope of roadway.  
 Pour steps monolithically with cap.  
 Space reinforcement in cap to miss anchor  
 bolts.  
 Concrete Sealer should be applied to the  
 designated areas of the abutment shown on  
 sheet C39.  
 All edges shall have a standard 3/4" chamfer  
 except as noted.  
 For details of Bar Splicers, see  
 sheet C50.  
 For details of piles, see sheet C51.  
 Abutment piles installed through MSE Wall fill  
 shall be fitted with corrugated pipe sleeves prior  
 to MSE Wall fill placement. Sleeves shall be filled  
 with sand after pile installation. Cost of the  
 corrugated pipe sleeves is included with the cost  
 of Mechanically Stabilized Earth Retaining Wall.



USER NAME =	DESIGNED - N. KHATRI	REVISED -
PLOT DATE = 17-OCT-2012	CHECKED - S. HENNING	REVISED -
	DRAWN - C. SALLADE	REVISED -
	CHECKED - J. SMITH	REVISED -

**STATE OF ILLINOIS**  
**DEPARTMENT OF TRANSPORTATION**

**NORTH ABUTMENT - N.B.**  
**STRUCTURE NO. 082-0334 (N.B.) & 082-0335 (S.B.)**

SHEET NO. C38 OF 76 SHEETS

F.A.P. RTE.	SECTION	COUNTY	TOTAL SHEETS	SHEET NO.
788	520-1-2HVB	ST. CLAIR	237	95
CONTRACT NO. 76848				
ILLINOIS FED. AID PROJECT				