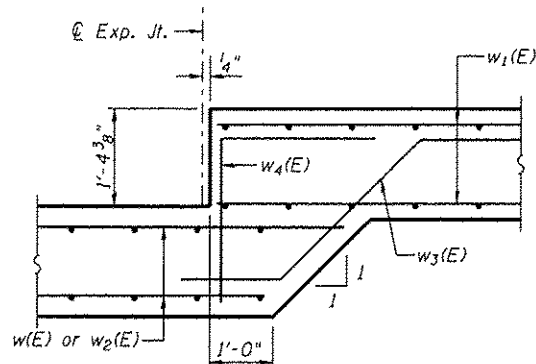
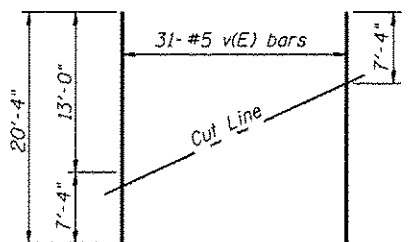


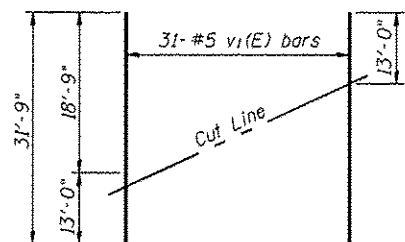
SECTION THRU CRASHWALL



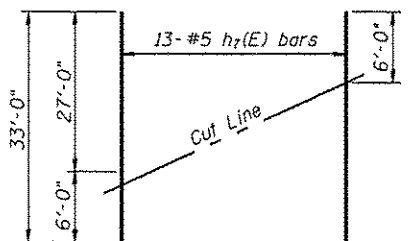
FOOTING STEP DETAIL



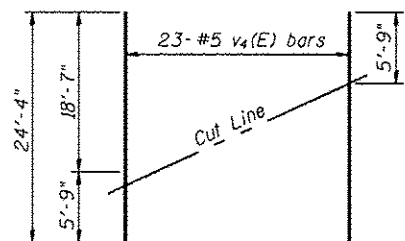
FIELD CUTTING DIAGRAM 1



FIELD CUTTING DIAGRAM 2



FIELD CUTTING DIAGRAM 3



FIELD CUTTING DIAGRAM 4

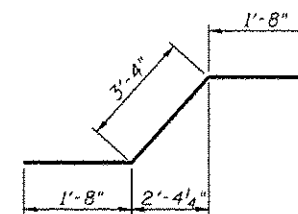
Note:
Order full length. Cut as shown and use remainder in other face of wall.

BILL OF MATERIAL

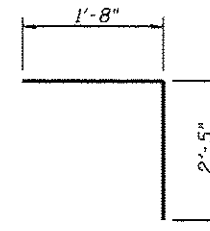
(South Wall)

Bar	No.	Size	Length	Shape
h(E)	222	#5	32'-2"	—
h1(E)	40	#5	29'-9"	—
h2(E)	40	#5	26'-0"	—
h3(E)	76	#5	24'-3"	—
h4(E)	38	#5	26'-4"	—
h5(E)	38	#5	23'-11"	—
h6(E)	12	#5	27'-5"	—
h7(E)	13	#5	33'-0"	—
h8(E)	2	#5	31'-0"	—
n(E)	744	#5	4'-10"	U
v(E)	732	#4	5'-3"	—
v1(E)	31	#5	20'-4"	—
v2(E)	250	#5	19'-2"	—
v3(E)	324	#5	17'-10"	—
v4(E)	46	#5	24'-4"	—
w(E)	60	#4	31'-1"	—
w1(E)	60	#4	33'-0"	—
w2(E)	24	#4	30'-11"	—
w3(E)	12	#4	6'-8"	—
w4(E)	12	#4	4'-1"	—
Concrete Structures		Cu. Yd.	692.9	
Reinforcement Bars, Epoxy Coated		Pound	37890	

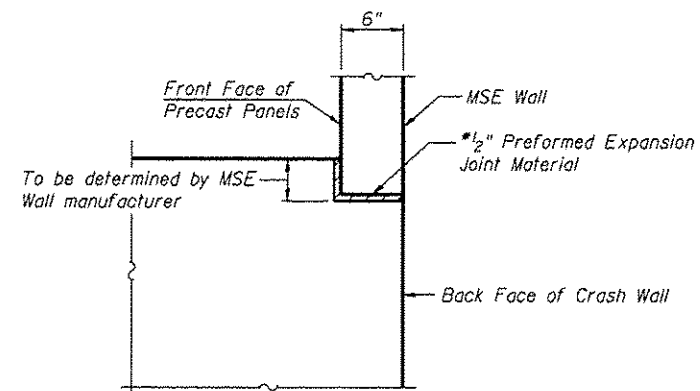
*Cost Included with Concrete Structures.



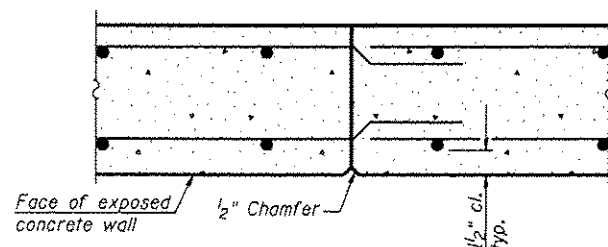
BAR w3(E)



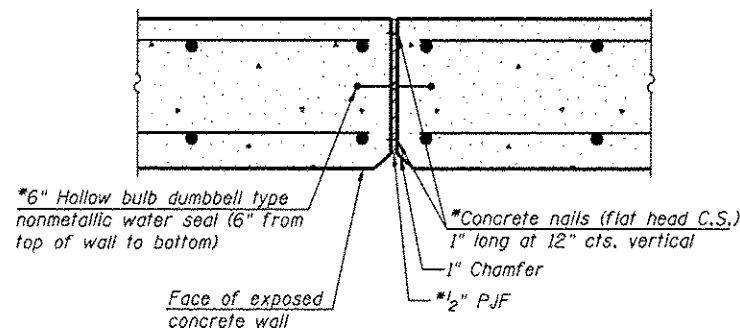
BAR w4(E)



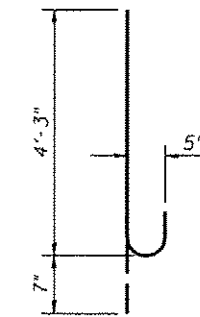
DETAIL B



CONSTRUCTION JOINT



EXPANSION JOINT



BAR n(E)