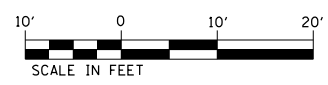
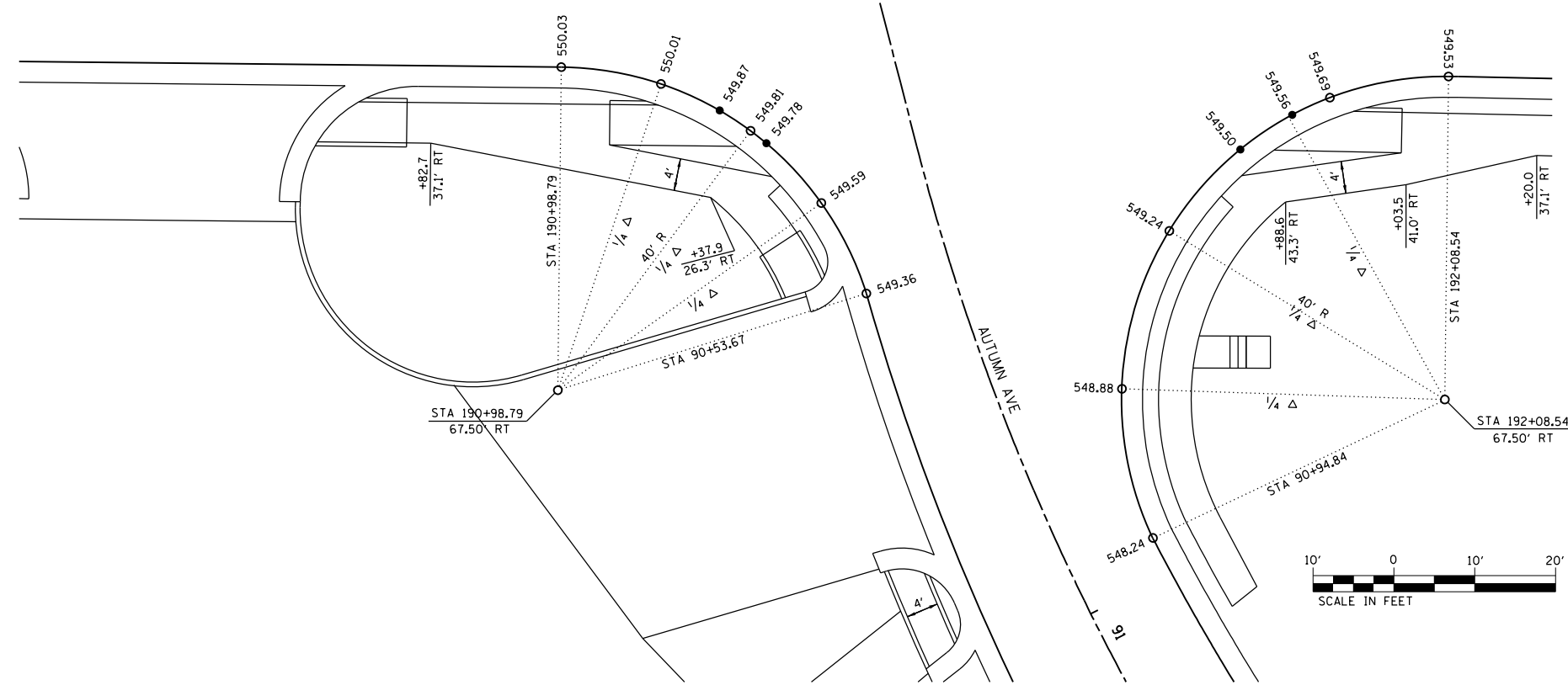
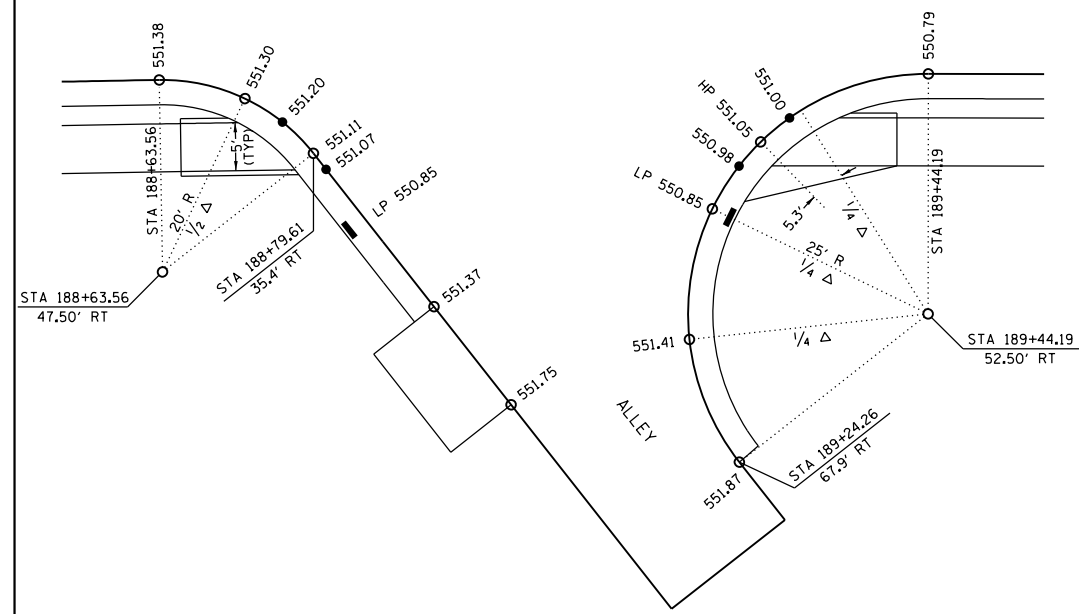


189
IL RTE 159 (VANDALIA ST)

191 192
IL RTE 159 (VANDALIA ST)



- NOTES:
- ELEVATIONS DENOTED WITH ● ARE LOCATED ON THE EDGE OF PAVEMENT AT THE CURB RAMP.
 - MAINTAIN 2% CROSS SLOPE THROUGH CROSS WALKS.
 - ALL STATIONING AT ALLEY AT 189+00 IS OFF IL RTE 159.

FILE NAME =	USER NAME = default	DESIGNED - AGF	REVISED -
P:\Projects\513501\CADD\DN\0876885-sh\intersec-detail.dgn		DRAWN - AGF	REVISED -
	PLOT SCALE = 20.0000' / in.	CHECKED - CLS	REVISED -
	PLOT DATE = 1/25/2013	DATE - 01/25/2013	REVISED -

**STATE OF ILLINOIS
DEPARTMENT OF TRANSPORTATION**

**INTERSECTION GEOMETRIC DETAILS
ALLEY AT 189+00 / ALLEY AT 190+65 / AUTUMN AVE**

SCALE: 1" = 10' SHEET NO. 8 OF 22 SHEETS STA. N/A TO STA. N/A

F.A.P. RTE.	SECTION	COUNTY	TOTAL SHEETS	SHEET NO.
600	60-(30,31,128)-3	MADISON	529	138
CONTRACT NO. 76B85				
ILLINOIS FED. AID PROJECT				