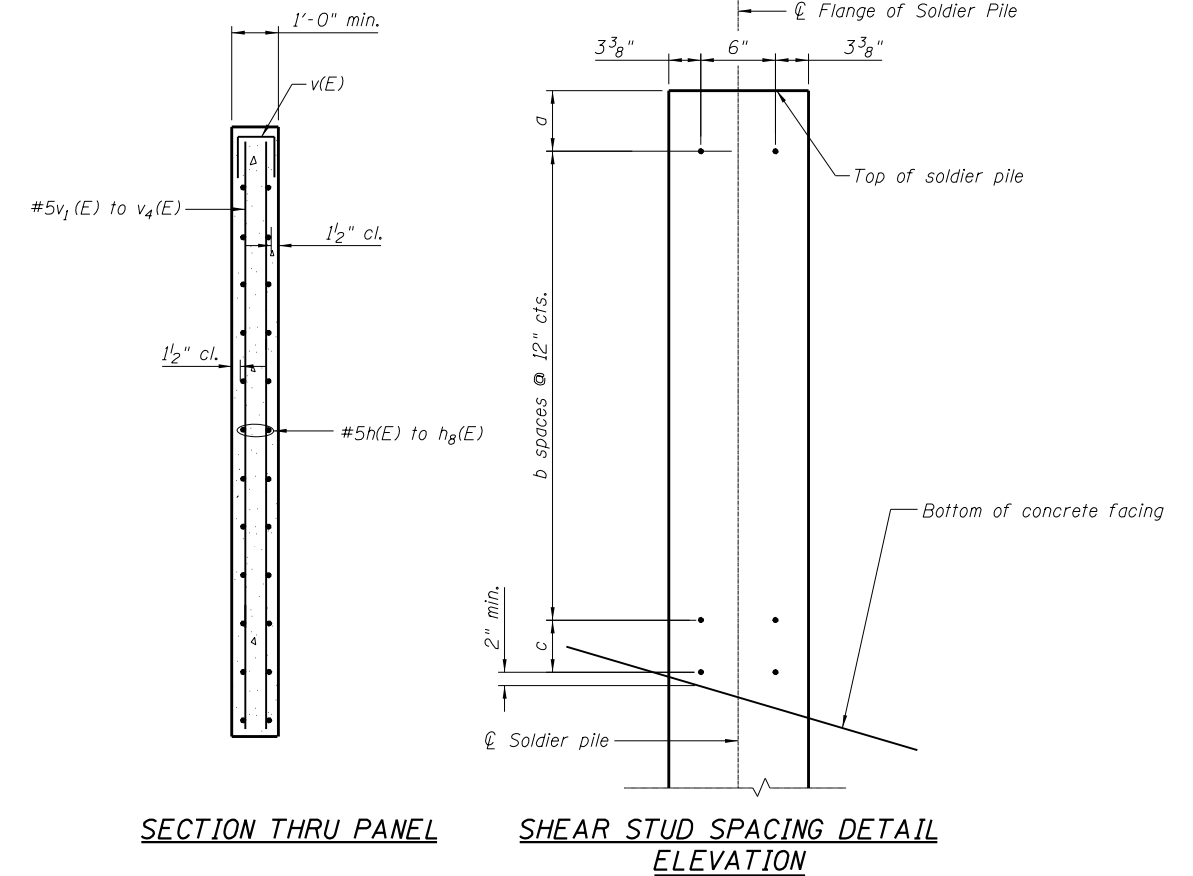


STATE OF ILLINOIS
DEPARTMENT OF TRANSPORTATION

SOLDIER PILE DATA

Panel	Soldier Pile Designations	Top of soldier Pile Elevation	Bottom of soldier Pile Elevation	Top of concrete encasement	Top of CLSM	Stud Shearconnectors			
						a	b	c	No. per pile
A	A ₁ Built-up Section	548.59	508.59	542.50	548.59	3"	5	8"	28
	A ₂ W Section	549.69	508.69	542.58	549.69	3"	6	8"	16
	A ₃ W Section	550.08	509.08	542.66	550.08	3"	7	0"	16
	A ₄ W Section	550.47	509.47	542.73	550.47	3"	7	3 ⁷ / ₈ "	18
B	B ₁ W Section	550.83	509.83	542.79	550.83	3"	7	7 ¹ / ₄ "	18
	B ₂ W Section	551.21	510.21	542.86	551.21	3"	7	11"	18
	B ₃ W Section	551.59	510.59	542.93	551.59	3"	8	2 ³ / ₄ "	20
	B ₄ W Section	551.97	510.97	542.99	551.97	3"	8	6 ⁵ / ₈ "	20
C	C ₁ W Section	552.31	511.31	543.05	552.31	3"	8	10"	20
	C ₂ W Section	552.69	511.69	543.12	552.69	3"	9	0"	20
	C ₃ W Section	553.07	512.07	543.19	553.07	3"	9	5 ³ / ₈ "	20
	C ₄ W Section	553.45	512.45	543.26	553.45	3"	9	9"	22
D	D ₁ W Section	553.71	512.71	543.33	553.71	3"	9	11 ¹ / ₂ "	22
	D ₂ W Section	553.90	512.90	543.42	553.90	3"	10	0"	22
	D ₃ W Section	554.08	513.08	543.51	554.08	3"	10	0"	22
	D ₄ W Section	554.26	513.26	543.60	554.26	3"	10	2 ³ / ₄ "	24
E	E ₁ W Section	554.44	513.44	543.68	554.44	3"	10	4"	24
	E ₂ W Section	554.63	513.63	543.77	554.63	3"	10	5"	24
	E ₃ W Section	554.81	513.81	543.86	554.81	3"	10	6"	24
	E ₄ W Section	555.00	514.00	543.95	555.00	3"	10	7 ¹ / ₂ "	24
F	F ₁ W Section	554.61	513.61	544.00	554.61	3"	10	2"	24
	F ₂ W Section	553.62	512.62	544.00	553.62	3"	9	0"	20
	F ₃ W Section	552.63	511.63	544.00	552.63	3"	8	2 ¹ / ₂ "	20
	F ₄ W Section	551.63	511.63	544.00	551.63	3"	7	2 ¹ / ₂ "	18
G	G ₁ W Section	551.65	512.65	544.00	551.65	3"	7	2 ³ / ₄ "	18
	G ₂ W Section	551.65	512.65	544.00	551.65	3"	7	2 ³ / ₄ "	18

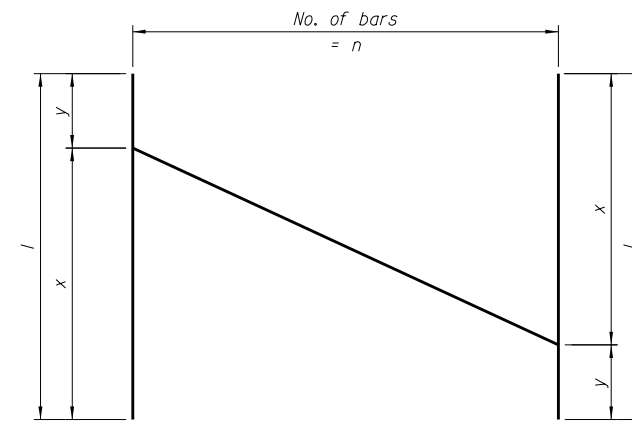
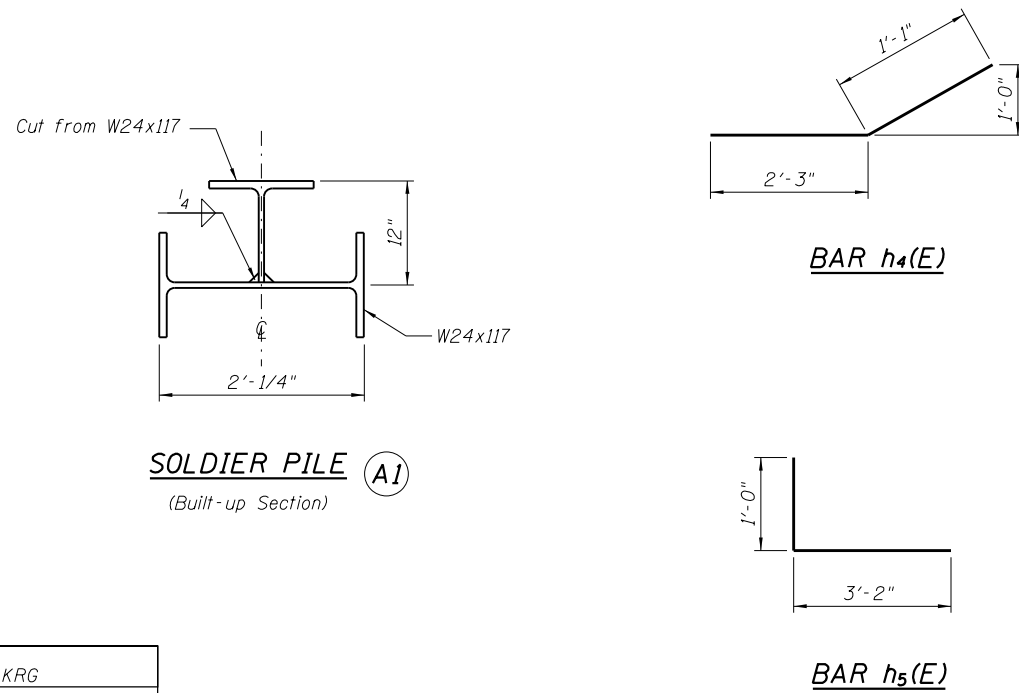


BILL OF MATERIAL

Bar	No.	Size	Length	Shape
h(E)	48	#5	22'-6"	—
h ₁ (E)	26	#5	20'-6"	—
h ₂ (E)	56	#5	26'-6"	—
h ₃ (E)	28	#5	24'-8"	—
h ₄ (E)	28	#5	3'-4"	—
h ₅ (E)	14	#5	4'-2"	—
h ₆ (E)	16	#5	11'-5"	—
v(E)	157	#5	2'-2"	—
v ₁ (E)	21	#5	19'-6"	—
v ₂ (E)	21	#5	21'-11"	—
v ₃ (E)	21	#5	24'-3"	—
v ₄ (E)	26	#5	25'-10"	—
v ₅ (E)	26	#5	26'-8"	—
v ₆ (E)	25	#5	23'-0"	—
v ₇ (E)	6	#5	6'-4"	—
v ₈ (E)	24	#5	8'-0"	—
Concrete Structures			Cu. Yd.	69.3
Reinforcement Bars (Epoxy coated)			Pound	8360

BAR DIMENSIONS

Bar	n	y	x	l
v ₁ (E)	21	9'-2"	10'-4"	19'-6"
v ₂ (E)	21	10'-4"	11'-7"	21'-11"
v ₃ (E)	21	11'-7"	12'-8"	24'-3"
v ₄ (E)	26	12'-8"	13'-2"	25'-10"
v ₅ (E)	26	13'-2"	13'-6"	26'-8"
v ₆ (E)	25	13'-6"	9'-6"	23'-0"



BAR CUTTING DIAGRAM
(v₁(E) to v₆(E) bars)

BARS v(E)

SOLDIER PILE WALL DATA

DESIGNED - KRG
CHECKED - MJK
DRAWN - GSJ
CHECKED - MJK

SHEET NO. 8	F.A.P. RTE.	SECTION	COUNTY	TOTAL SHEETS	SHEET NO.
	600	60-(30,31,128)-3	Madison	529	526
11 SHEETS	Structure No. 060-W007		CONTRACT NO. 76B85		
FED. ROAD DIST. NO.		ILLINOIS	FED. AID PROJECT		

MID-AMERICA ENGINEERING SERVICES