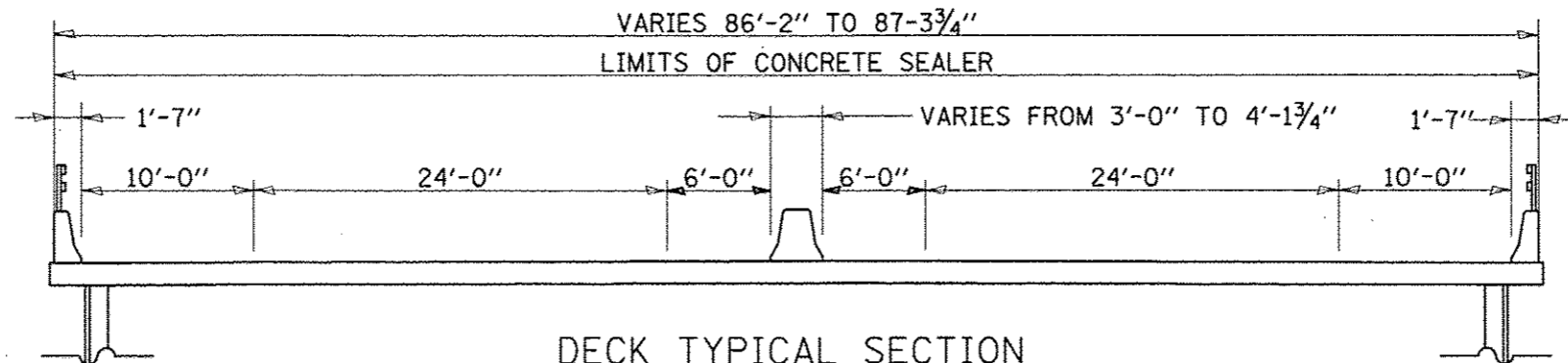


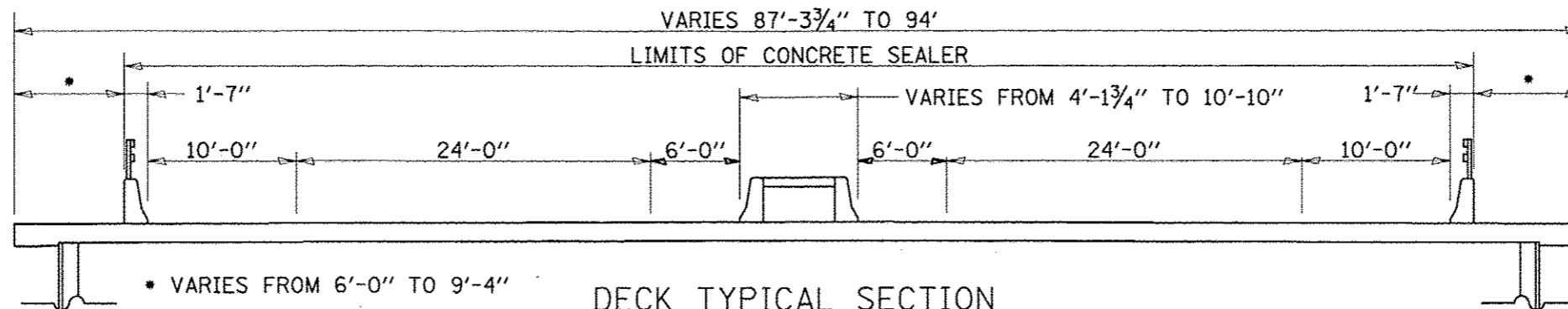
**DECK TYPICAL SECTION**

STA. 208+35 TO STA. 224+43.04  
 STA. 237+97.12 TO STA. 254+55



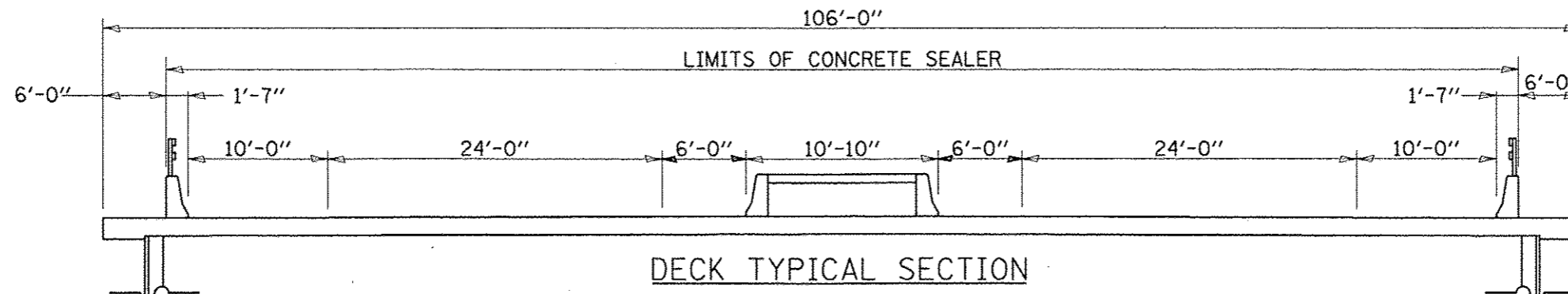
**DECK TYPICAL SECTION**

STA. 224+43.04 TO STA. 225+21.5  
 STA. 237+18.5 TO STA. 237+97.12



**DECK TYPICAL SECTION**

STA. 225+21.5 TO STA. 227+22  
 STA. 235+18 TO STA. 237+18.5



**DECK TYPICAL SECTION**

STA. 227+22 TO STA. 235+18

FILE NAME : #FILE#	USER NAME : #USER#	DESIGNED - GEL	REVISED -	<b>STATE OF ILLINOIS DEPARTMENT OF TRANSPORTATION</b>	<b>TYPICAL SECTIONS</b>		F.A. RTE. 304	SECTION 100B-105-1	COUNTY	TOTAL SHEETS 58	SHEET NO. 5
		DRAWN - LAC	REVISED -		SCALE:	SHEET NO. 1 OF 1 SHEETS	STA.	TO STA.	<b>CONTRACT NO. 76E73</b>		
		CHECKED - MDP	REVISED -						FED. ROAD DIST. NO. ILLINOIS FED. AID PROJECT		
		DATE - 11/16/2012	REVISED -								