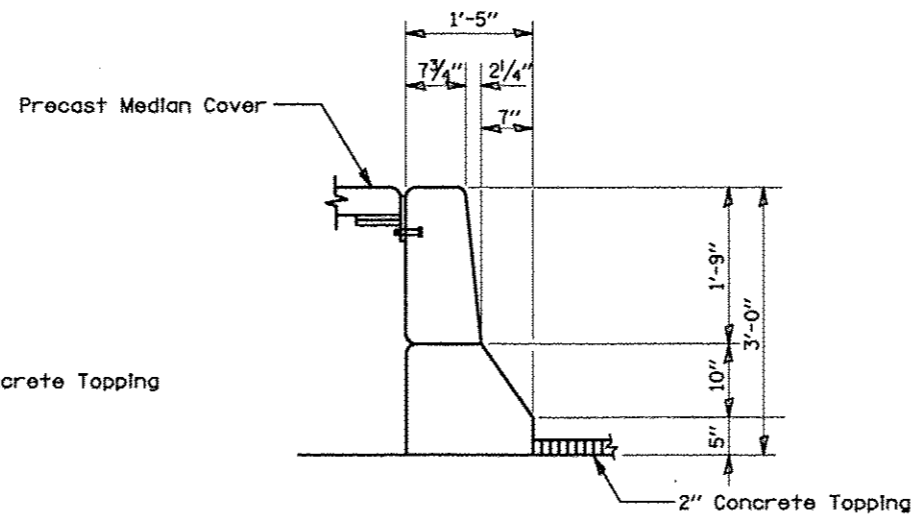


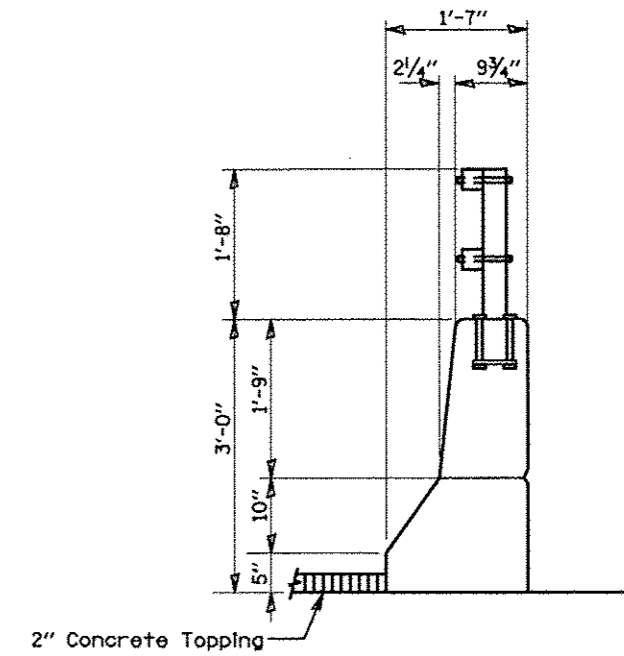
DETAIL "A"
SOLID MEDIAN

STA. 224+43.04 TO 225+21.5
STA. 237+18.5 TO 237+97.12



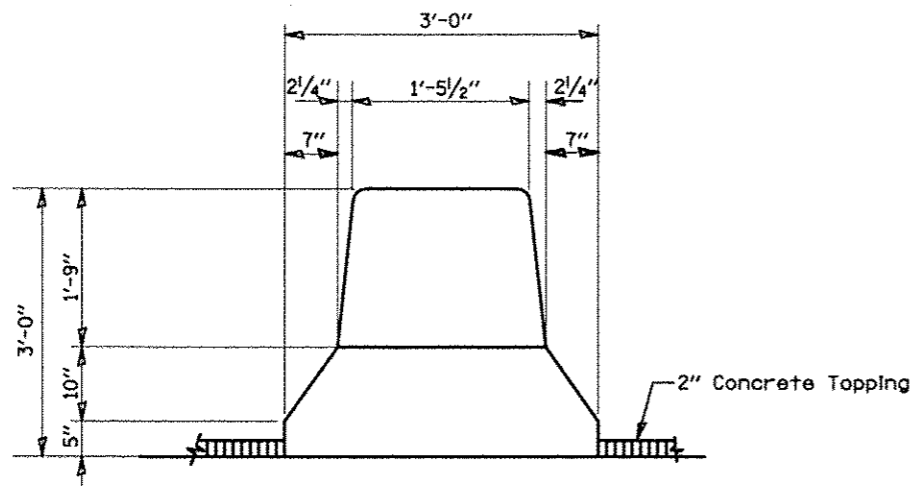
DETAIL "B"
INSIDE PARAPET

STA. 225+21.5 TO 237+18.5



DETAIL "C"
OUTSIDE PARAPET

STA. 208+35 TO STA. 254+55



DETAIL "D"
SOLID MEDIAN

STA. 208+35 224+43.04
STA. 237+97.12 TO 254+55

STATE OF ILLINOIS
DEPARTMENT OF TRANSPORTATION

DETAIL SHEET

FILE NAME *
#FILE#

USER NAME *USER*
PLOT SCALE *SCALE*
PLOT DATE *DATE*

DESIGNED - GEL
DRAWN - LAC
CHECKED - MDP
DATE - 11/16/2012

REVISED -
REVISED -
REVISED -
REVISED -

SCALE: SHEET NO. 1 OF 1 SHEETS STA. TO STA.

F.A. RTE.	SECTION	COUNTY	TOTAL SHEETS	SHEET NO.
304	100B-IDS-1		58	10
FED. ROAD DIST. NO. ILLINOIS FED. AID PROJECT			CONTRACT NO. 76E73	