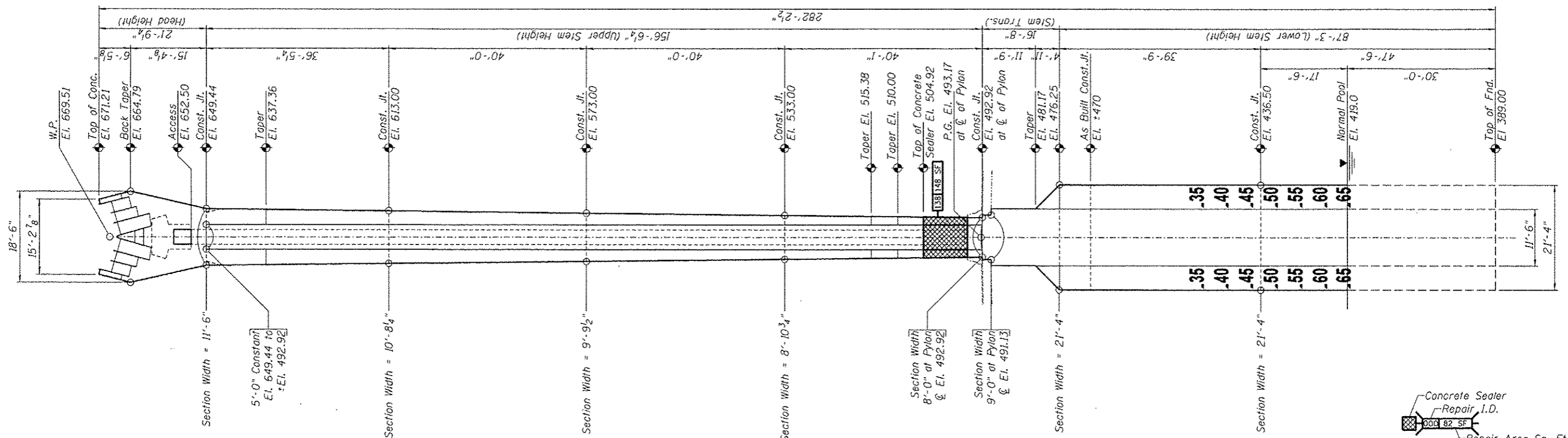


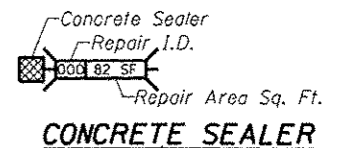
ELEVATION - ILLINOIS PYLON
 Looking West
 (East Face of Illinois Pylon - Pier 10)



ELEVATION - ILLINOIS PYLON
 Looking North
 (South Face of Illinois Pylon - Pier 10)

REPAIRS LIST - PIER 10 - PYLON STEM

I.D.	Description	Pay Item	Units	Quantity
138	Seal all surfaces up to 12' above Deck	Concrete Sealer	SQ. FT.	489



CONCRETE SEALER

DESIGNED -	EXAMINED	DATE
CHECKED -	ENGINEER OF STRUCTURAL SERVICES	
DRAWN Rod	PASSED	
CHECKED MNM	ENGINEER OF BRIDGES AND STRUCTURES	

**STATE OF ILLINOIS
 DEPARTMENT OF TRANSPORTATION**

**REFERENCE SHEET - PIER NUMBER 10 - ILLINOIS PYLON
 STRUCTURE NO. 060-0255**

SHEET NO. 34 OF 48 SHEETS

F.A.P. RTE.	SECTION	COUNTY	TOTAL SHEETS	SHEET NO.
304	1008-1DS-1	MADISON	58	44
CONTRACT NO. 76E73				
ILLINOIS FED. AID PROJECT				