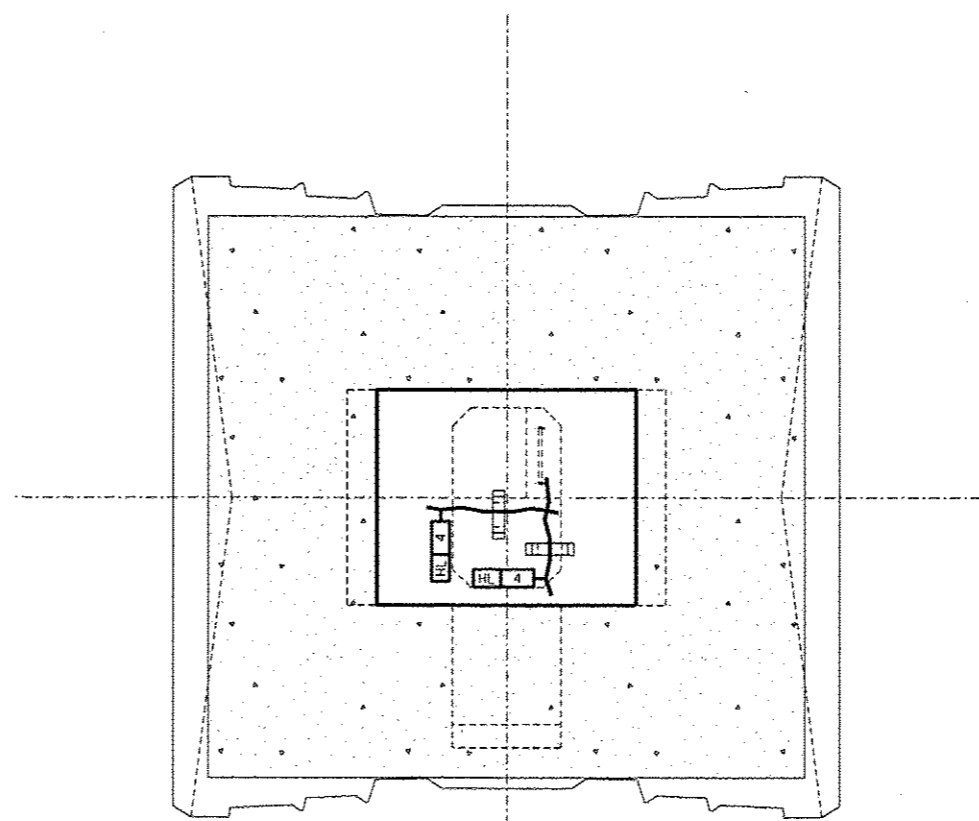
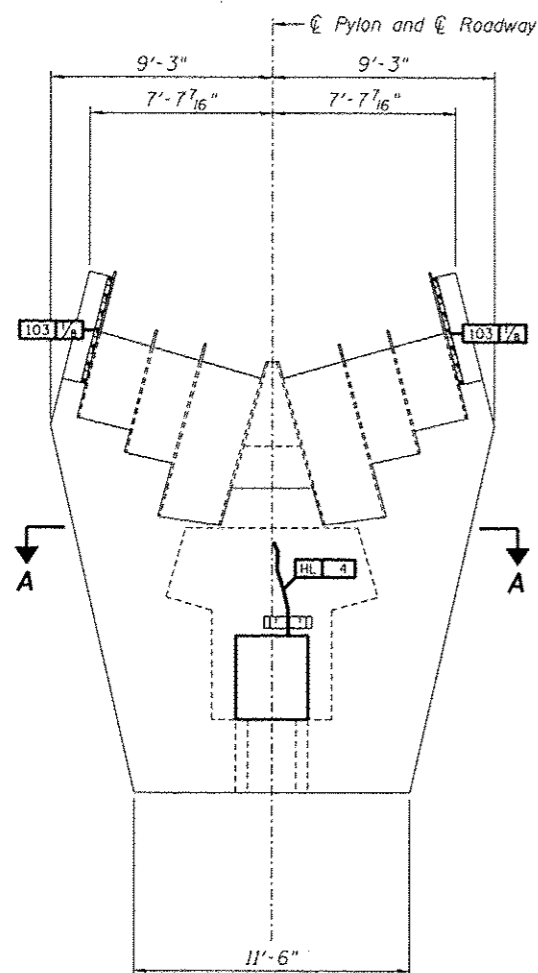


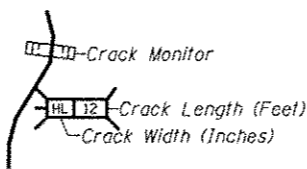
PLAN - STAY SADDLES



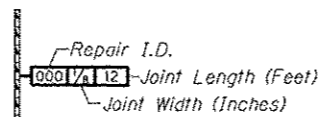
SECTION A-A  
ACCESS SPACE CEILING



ELEVATION - SOUTH FACE

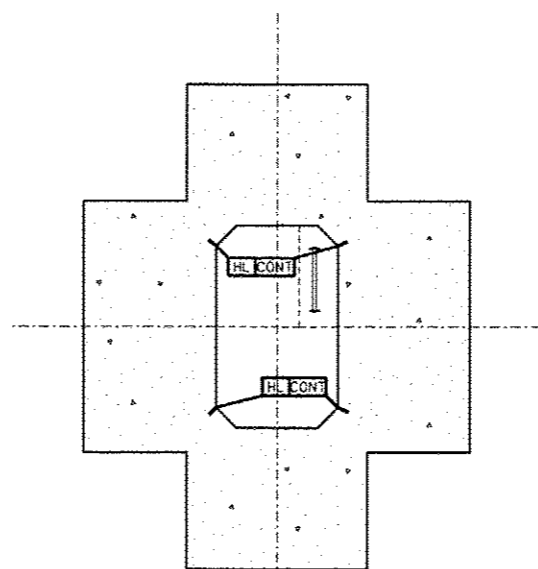


**CRACKS < 1/16"**  
 Hairline Cracks (HL) or  
 Cracks < 1/16" not to be Sealed.



**POLYURETHANE SEALANT**

Note:  
 Sealant shall be Non-staining gray one component non-sag elastomeric gun grade polyurethane sealant meeting the requirements of ASTM C-920, Type S, Grade NS, Class 25.



TYPICAL ACCESS OPENING SECTION  
 (Taken at Elev. 613.00)

**REPAIRS LIST - PIER 10 - PYLON HEAD**

| I.D. | Description                             | Pay Item             | Units | Quantity |
|------|---|----------------------|-------|----------|
| 103  | Failed Sealant Btwn. Saddle SH. & Conc. | Polyurethane Sealant | FOOT  | 40.8     |
| -    | -                                       | -                    | -     | -        |
| -    | -                                       | -                    | -     | -        |
| -    | -                                       | -                    | -     | -        |
| -    | -                                       | -                    | -     | -        |