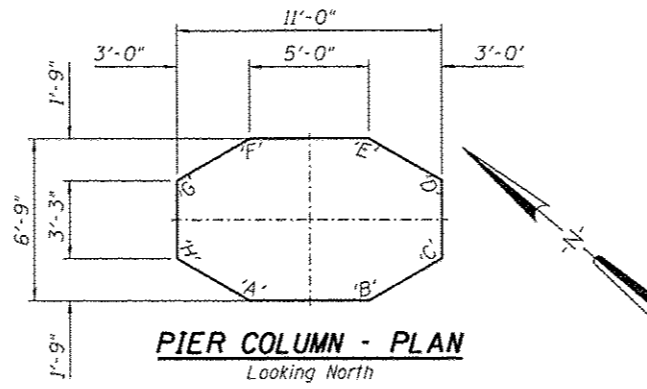
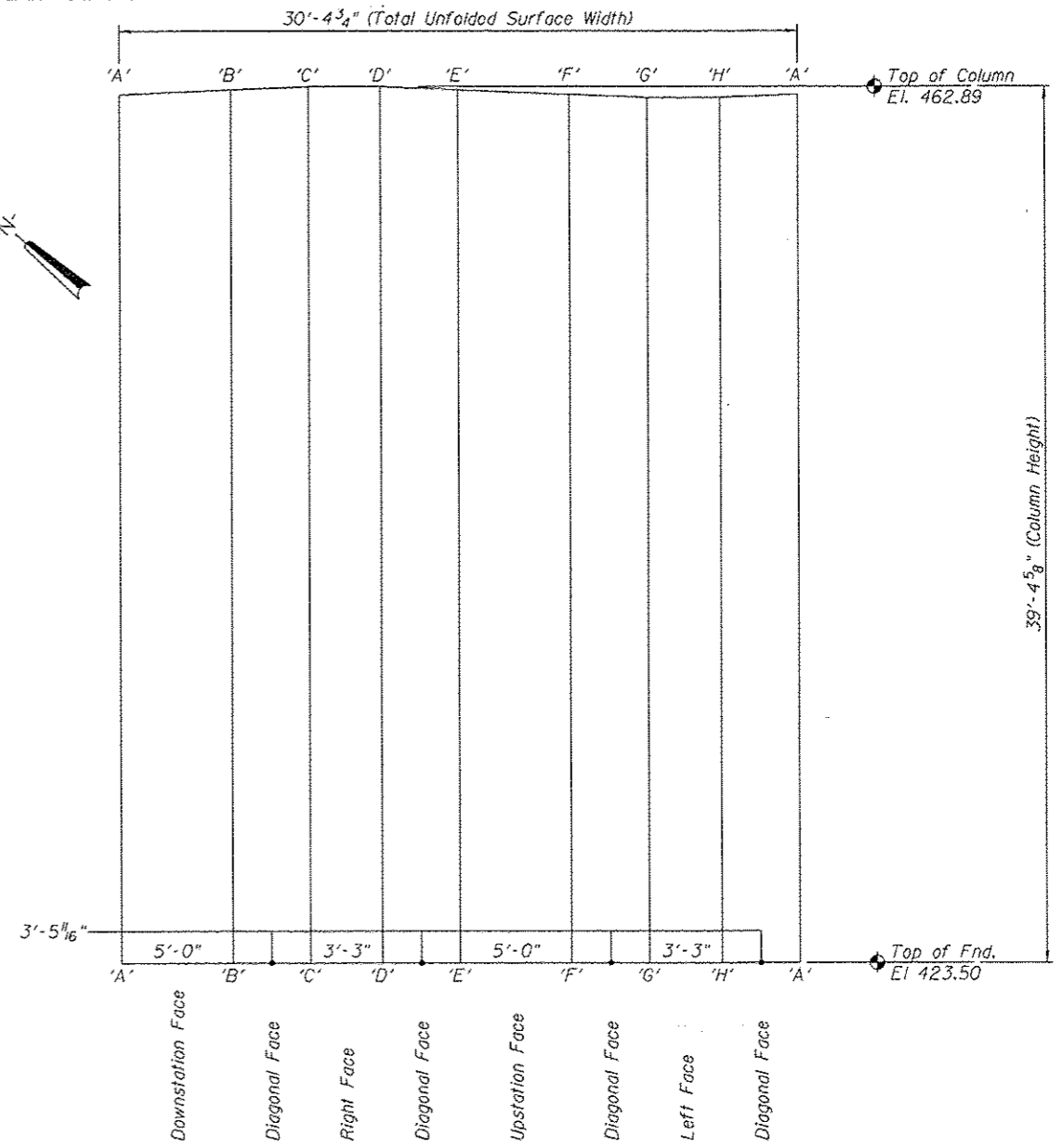


**PIER NO. 16 - ELEVATION - LEFT COLUMN**  
 Column Surface Shown Unfolded



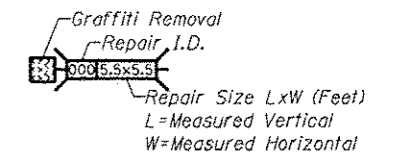
**PIER COLUMN - PLAN**  
 Looking North



**PIER NO. 16 - ELEVATION - RIGHT COLUMN**  
 Column Surface Shown Unfolded

**REPAIRS LIST - PIER 16 - COLUMNS**

I.D.	Description	Pay Item	Units	Quantity
113	Gaffiti on Concrete	Graffiti Removal	SQ. YD.	20.27
-	-	-	-	-
-	-	-	-	-
-	-	-	-	-
-	-	-	-	-
-	-	-	-	-
-	-	-	-	-
-	-	-	-	-



**GRAFFITI REMOVAL**

DESIGNED -	EXAMINED _____	DATE - _____
CHECKED -	ENGINEER OF STRUCTURAL SERVICES	
DRAWN Rod	PASSED _____	
CHECKED MNM	ENGINEER OF BRIDGES AND STRUCTURES	

**STATE OF ILLINOIS  
 DEPARTMENT OF TRANSPORTATION**

**REPAIRS TO - PIER NUMBER 16 - COLUMNS  
 STRUCTURE NO. 060-0255**

SHEET NO. 40 OF 48 SHEETS

F.A.P. RTE.	SECTION	COUNTY	TOTAL SHEETS	SHEET NO.
304	100B-1DS-1	MADISON	58	50
CONTRACT NO. 76E73			ILLINOIS FED. AID PROJECT	