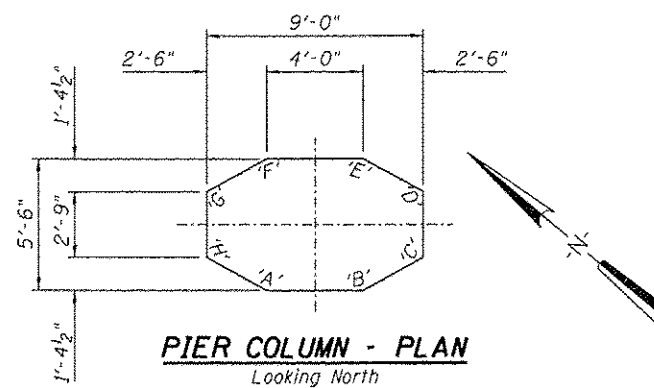
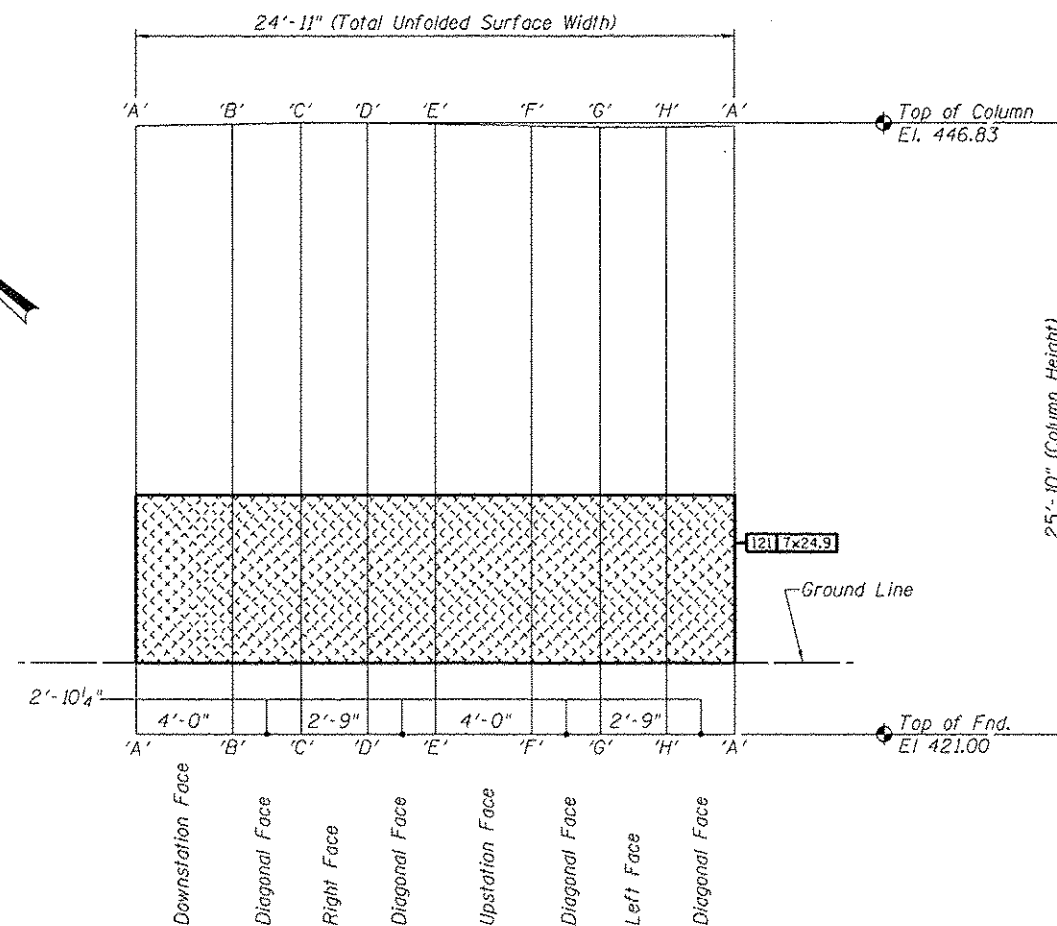


PIER NO. 21 - ELEVATION - LEFT COLUMN
 Column Surface Shown Unfolded



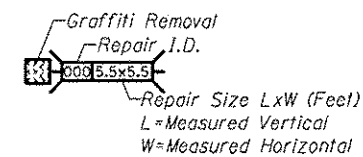
PIER COLUMN - PLAN
 Looking North



PIER NO. 21 - ELEVATION - RIGHT COLUMN
 Column Surface Shown Unfolded

REPAIRS LIST - PIER 21 - COLUMNS

I.D.	Description	Pay Item	Units	Quantity
120	Graffiti on Concrete	Graffiti Removal	SQ. YD.	19.37
121	Graffiti on Concrete	Graffiti Removal	SQ. YD.	19.37
-	-	-	-	-
-	-	-	-	-
-	-	-	-	-
-	-	-	-	-



GRAFFITI REMOVAL

DESIGNED -	EXAMINED _____ DATE _____	STATE OF ILLINOIS DEPARTMENT OF TRANSPORTATION	REPAIRS TO - PIER NUMBER 21 - COLUMNS STRUCTURE NO. 060-0255	F.A.P. RTE. 304	SECTION 100B-1DS-1	COUNTY MADISON	TOTAL SHEETS 58	SHEET NO. 56
CHECKED -	PASSED _____			SHEET NO. 46 OF 48 SHEETS		CONTRACT NO. 76E73		ILLINOIS FED. AID PROJECT
DRAWN Rod	ENGINEER OF STRUCTURAL SERVICES							
CHECKED MNM	ENGINEER OF BRIDGES AND STRUCTURES							