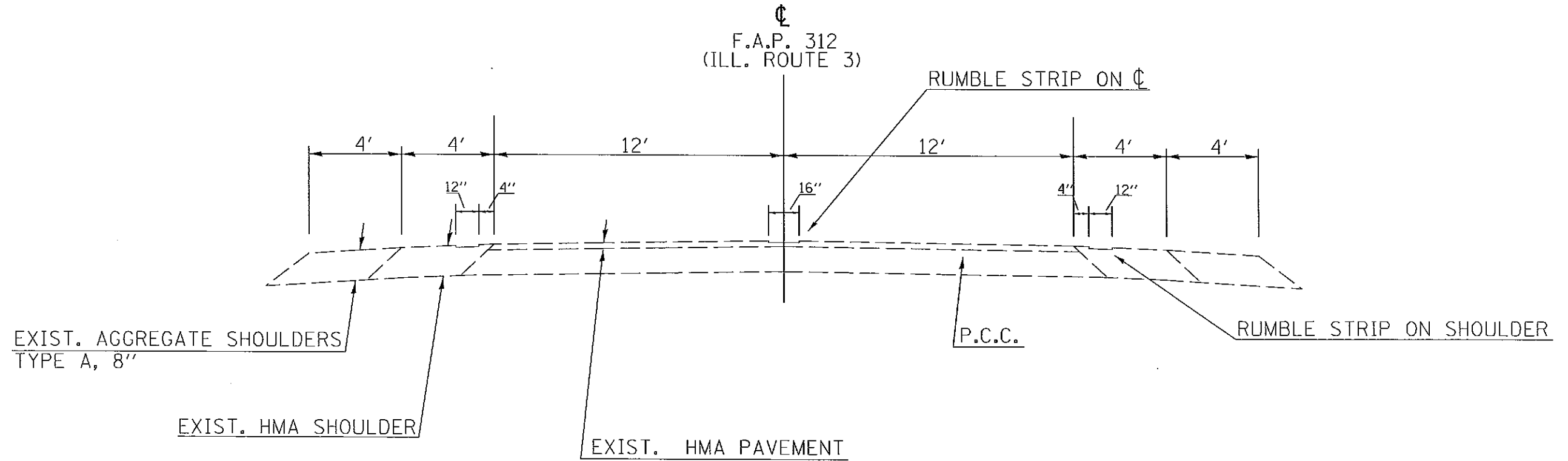


LOCATION 2 TYPICAL SECTION ILL. 3 (FAP 312)



TO BE USED:

STA. 168+50 TO STA. 776+50

FILE NAME *	USER NAME * #USER*	DESIGNED -	REVISED -	STATE OF ILLINOIS DEPARTMENT OF TRANSPORTATION	TYPICAL SECTION LOCATION 2 IL 3 (FAP 312)	F.A.P. RTE.	SECTION	COUNTY	TOTAL SHEETS	SHEET NO.
#FILE#		DRAWN -	REVISED -			•	D9 RUMBLE STRIP 2013-1	VARIOUS	15	7
#MODELNAME*		CHECKED -	REVISED -							CONTRACT NO. 78352
		DATE -	REVISED -							ILLINOIS FED. AID PROJECT
						SCALE:	SHEET	OF	SHEETS	STA. TO STA.