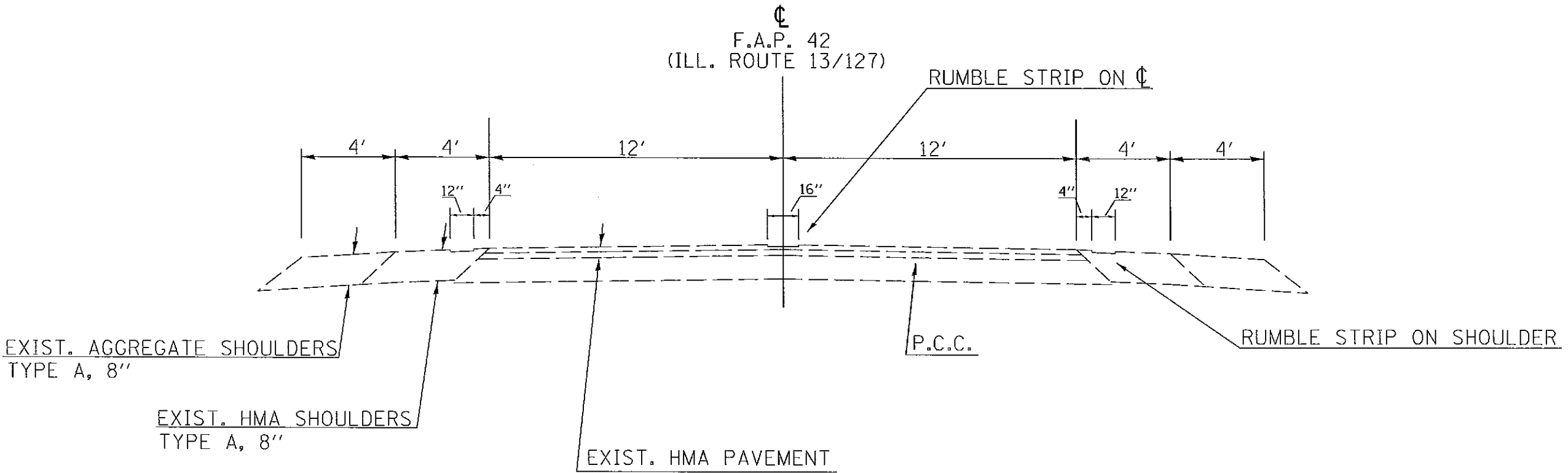


LOCATION 3 TYPICAL SECTION ILL. 13/127 (FAP 42)



TO BE USED:

STA. 678+02 TO STA. 1217+00

FILE NAME *	USER NAME * #USER*	DESIGNED -	REVISED -	STATE OF ILLINOIS DEPARTMENT OF TRANSPORTATION	TYPICAL SECTION LOCATION 3 IL 13/127 (FAP 42)	F.A.P. RTE. *	SECTION	COUNTY	TOTAL SHEETS	SHEET NO.
#FILE#		DRAWN -	REVISED -			09	RUMBLE STRIP 2013-1	VARIOUS	15	8
#MODELNAME*		CHECKED -	REVISED -							CONTRACT NO. 78352
		DATE -	REVISED -		SCALE: SHEET OF SHEETS STA. TO STA.					ILLINOIS FED. AID PROJECT

* VARIOUS ROUTES