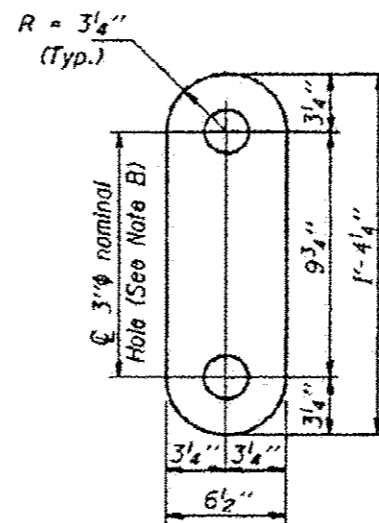
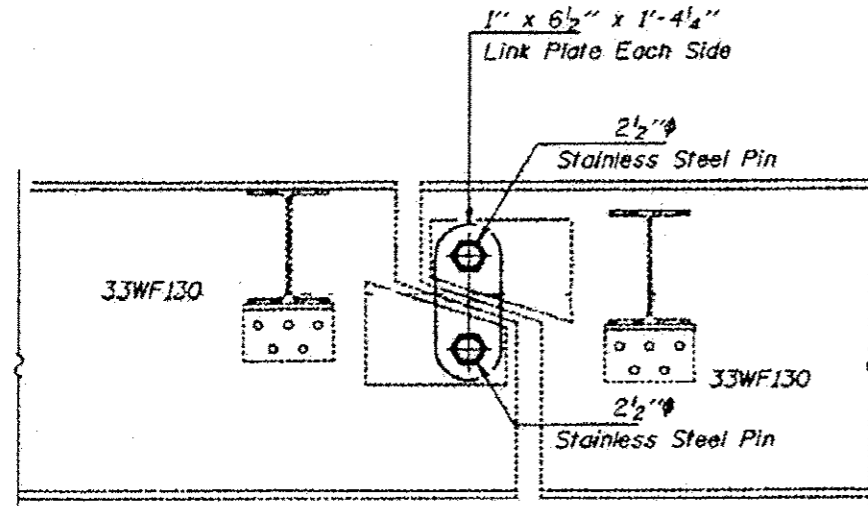


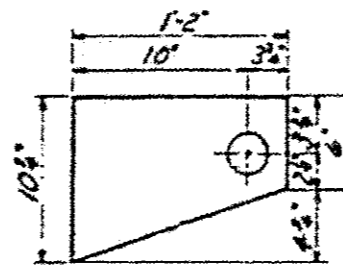
**ELEVATION AT PIN ASSEMBLY  
FOR INTERIOR BEAMS**



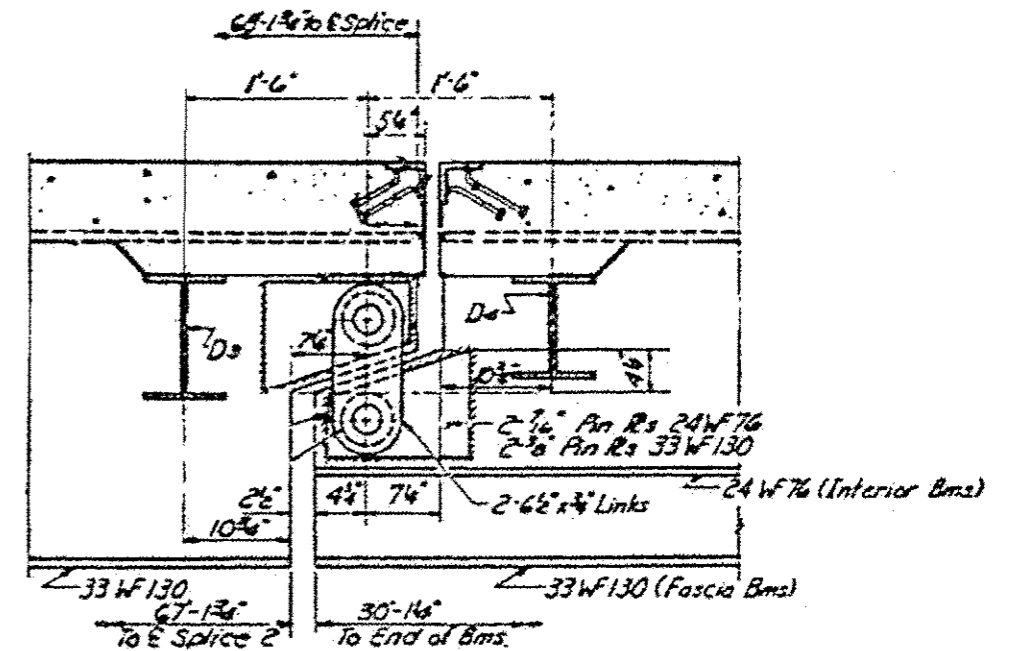
**LINK PLATE DETAIL**



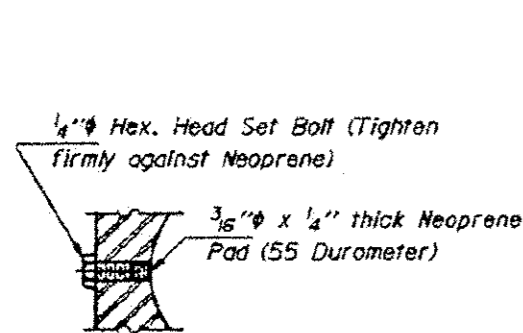
**ELEVATION AT PIN ASSEMBLY  
FOR EXTERIOR BEAMS**



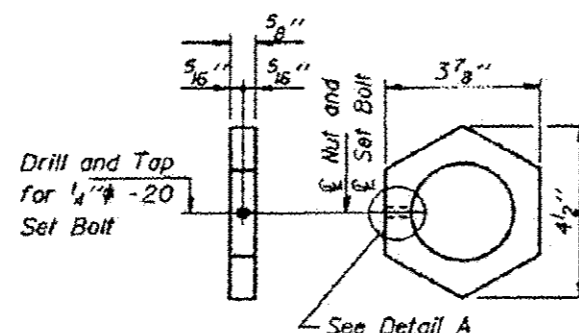
**PIN PLATE**  
14-3/8" R's Required  
6-7/16" R's Required



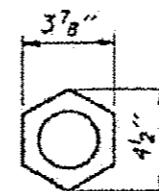
**HINGE DETAIL  
AT ABUTMENT**



**DETAIL A**



**EXTERIOR NUT DETAIL**



**INTERIOR NUT DETAIL**

**FOR INFORMATION ONLY**

FILE NAME =	USER NAME = gautneyrk	DESIGNED -	REVISED -
o:\work\p\dot\gautneyrk\d031966\178	41-htr-plan.dgn	DRAWN -	REVISED -
	PLOT SCALE = 48.0000 / 1/8"	CHECKED -	REVISED -
	PLOT DATE = 3/11/2013	DATE -	REVISED -

**STATE OF ILLINOIS  
DEPARTMENT OF TRANSPORTATION**

SN 028-0058  
COUNTRY CLUB ROAD OVER I-57

FAL RTE.	SECTION	COUNTY	TOTAL SHEETS	SHEET NO.
57	09 BRIDGE PAINT 2013-1		23	9
			CONTRACT NO. 78355	
ILLINOIS FED. AID PROJECT				