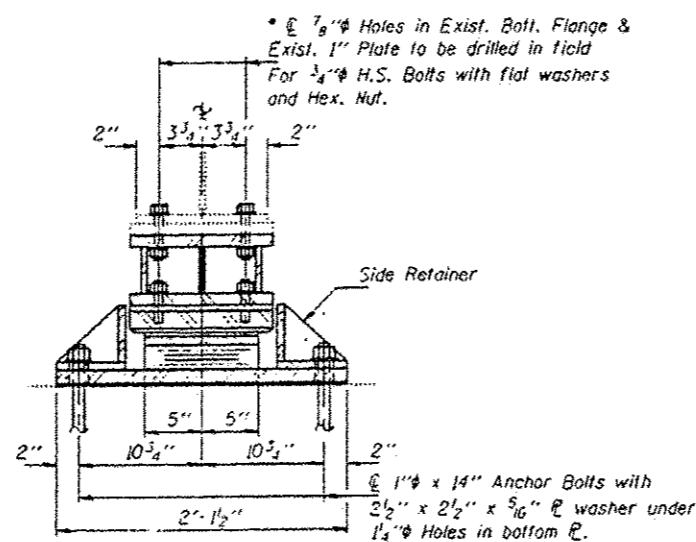
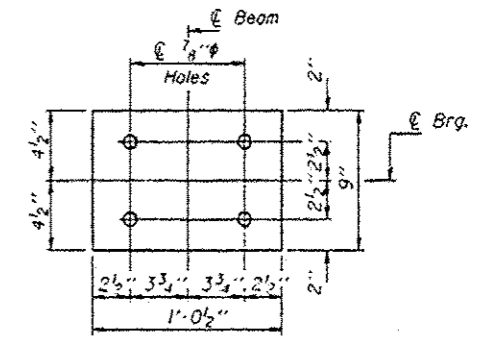
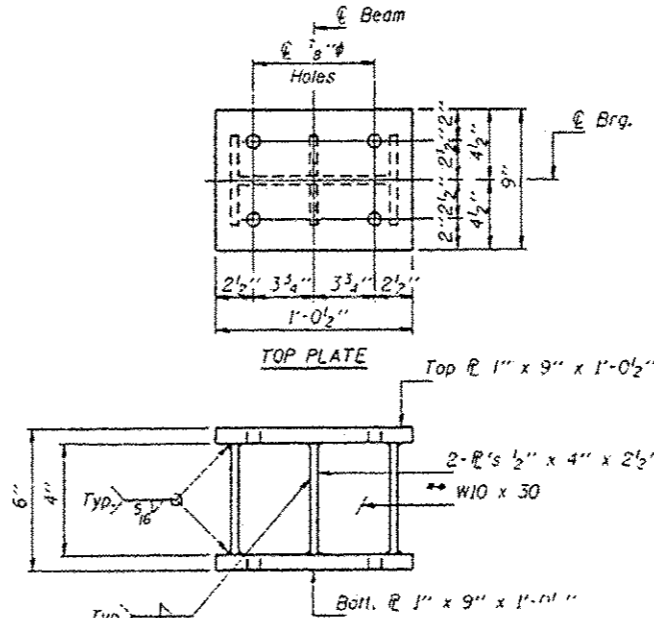


ELEVATION AT ABUTS.

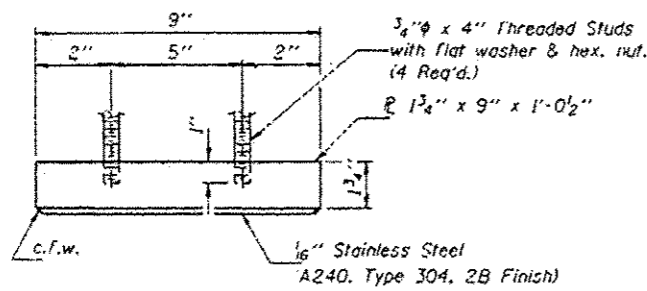


SECTION A-A

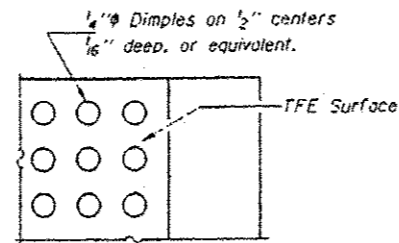


BEARING PLATE

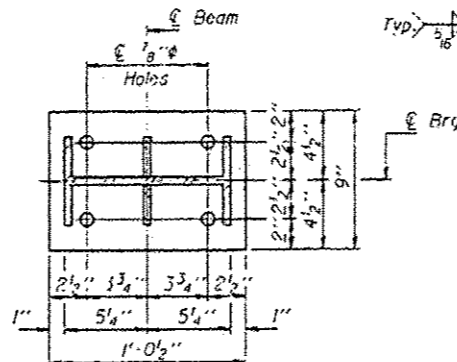
TYPE II TFE ELASTOMERIC EXP. BRG. BEAMS #1 THRU #6
(12 Required)



TOP BEARING ASSEMBLY



PLAN-TFE SURFACE



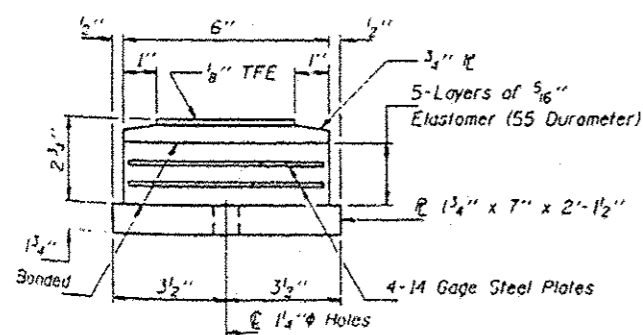
STEEL EXTENSION

**** BEARING PLATE "4" DIMENSIONS**

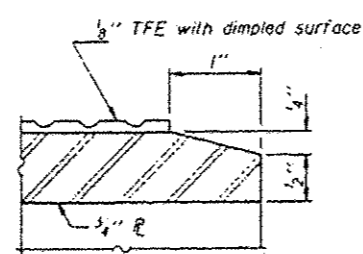
Dim.	Dim.	#1	#2	#3	#4	#5	#6
"7" W. Abut.	1/2"	1/16"	3/8"	5/16"	5/16"	1/4"	
"1" E. Abut.	1/2"	1/16"	5/16"	1/2"	3/16"	1/8"	

** Based on the survey elevations. The contractor shall verify and make adjustments if necessary.

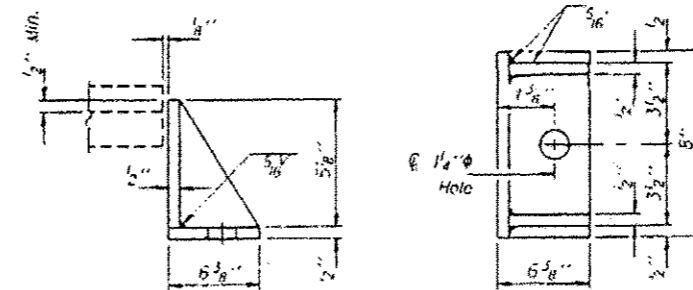
Notes: See sheet #13 of 18 for Anchor Bolt installation. Existing Anchor Bolts to be cut off flush with top of cap and ground smooth. Cost incidental to "Jack and Remove Existing Bearing." Weight of Steel Shim Plates, Lead Plates, Anchor Bolts, nuts and washers and Side Retainers is included in "Structural Steel".



BOTTOM BEARING ASSEMBLY



SECTION THRU TFE



SIDE RETAINER

Equivalent rolled angle with stiffeners will be allowed in lieu of welded plates.

FOR INFORMATION ONLY

FILE NAME =	USER NAME = gautneyrk	DESIGNED -	REVISED -
c:\pwwork\pwwork\gautneyrk\d0219666\7841-ahtr-plan.dgn		DRAWN -	REVISED -
	PLOT SCALE = 40.0000 1/32"	CHECKED -	REVISED -
#MODELNAME#	PLOT DATE = 3/11/2013	DATE -	REVISED -

STATE OF ILLINOIS
DEPARTMENT OF TRANSPORTATION

028-0059
IL 154 OVER I-57

FAI RTE.	SECTION	COUNTY	TOTAL SHEETS	SHEET NO.
57	D9 BRIDGE PAINT 2013-1		23	13
			CONTRACT NO. 78355	
ILLINOIS FED. AID PROJECT				

SCALE: _____ SHEET _____ OF _____ SHEETS STA. _____ TO STA. _____