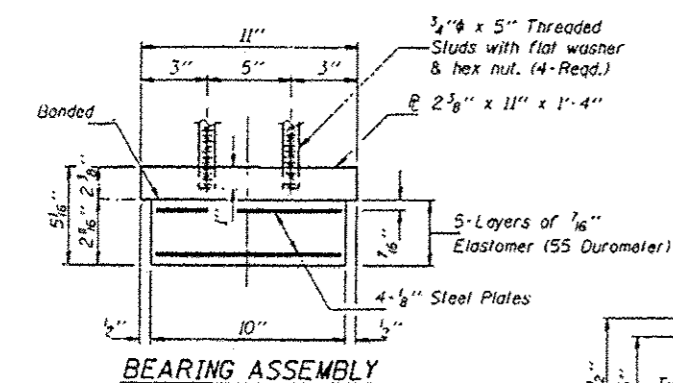
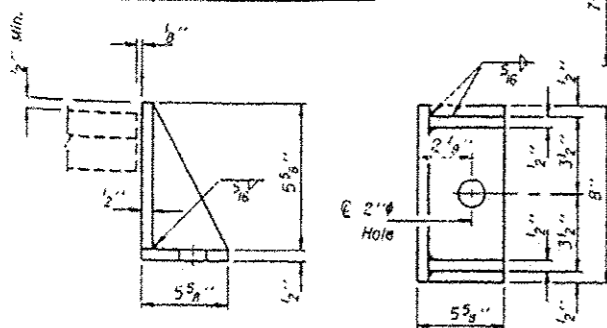


ELEVATION AT PIERS #1 & #3

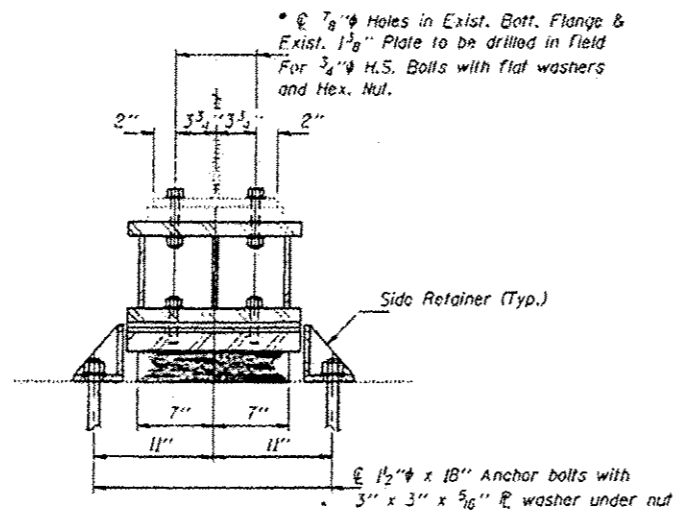
TYPE I ELASTOMERIC EXP. BRG. BEAMS #1 THRU #6
(12 Required)



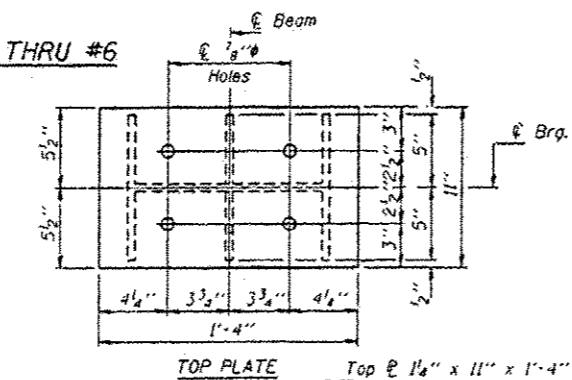
BEARING ASSEMBLY



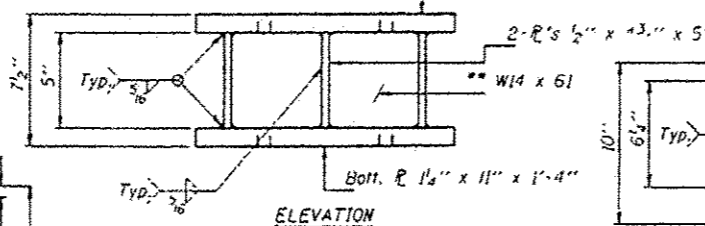
SIDE RETAINER-PIERS #1 & #3



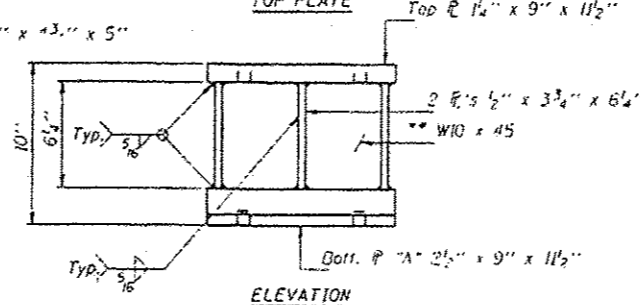
SECTION A-A



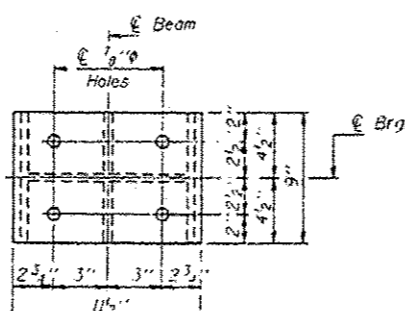
TOP PLATE



ELEVATION

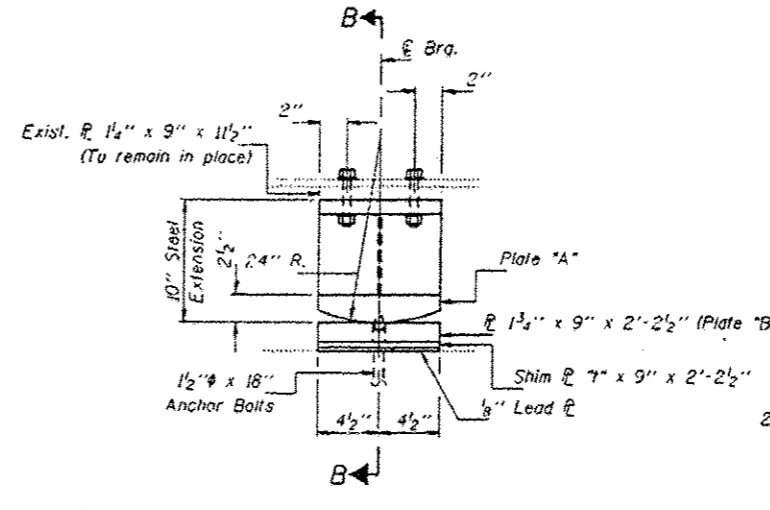


ELEVATION

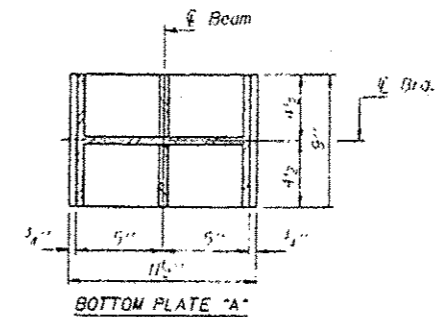


TOP PLATE

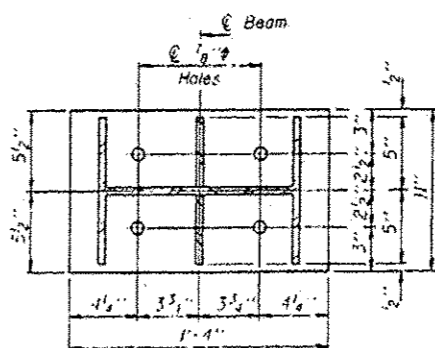
ELEVATION AT PIER #2



FIXED BEARING BEAMS #1 THRU #6

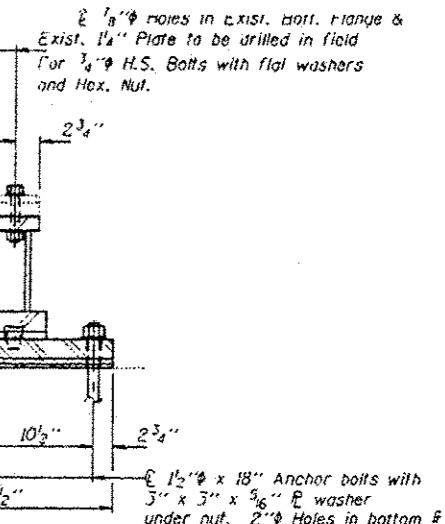


BOTTOM PLATE "A"

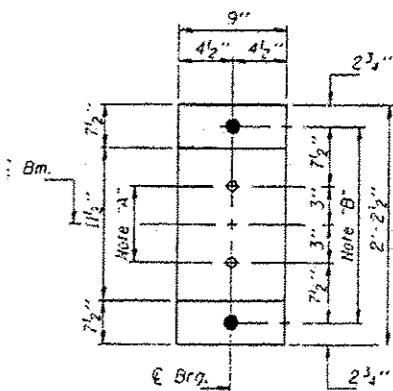


BOTTOM PLATE

STEEL EXTENSION



SECTION B-B



PLAN-BOTTOM PLATE "B"

FOR INFORMATION ONLY

FILE NAME =	USER NAME = gautnyrk	DESIGNED -	REVISED -
c:\pwwork\kaidot\gautnyrk\108379666\78	41-eh-t-plan.dgn	DRAWN -	REVISED -
	PLOT SCALE = 48.0000 / 1"	CHECKED -	REVISED -
#MODELNAME#	PLOT DATE = 3/11/2013	DATE -	REVISED -

STATE OF ILLINOIS
DEPARTMENT OF TRANSPORTATION

028-0059
IL 154 OVER I-57

SCALE: SHEET OF SHEETS STA. TO STA.

FAI RTE.	SECTION	COUNTY	TOTAL SHEETS	SHEET NO.
57	D9 BRIDGE PAINT 2013-1		23	14
CONTRACT NO. 78355				
ILLINOIS FED. AID PROJECT				

*FRANKLIN & WILLIAMSON