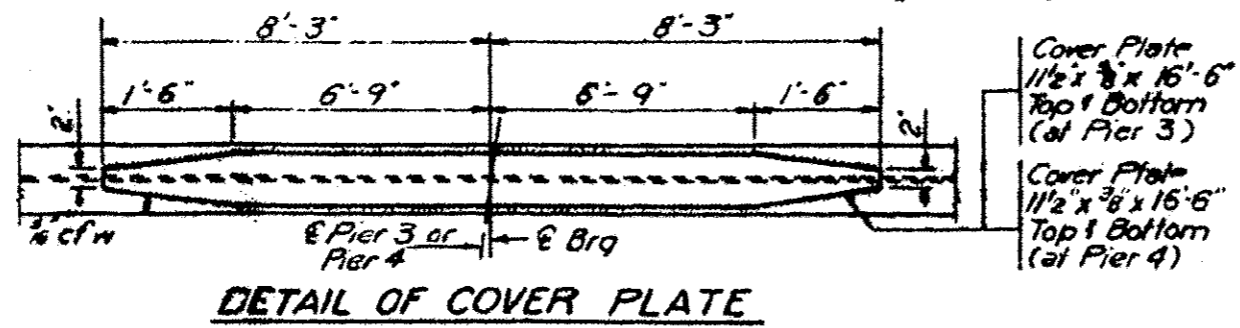
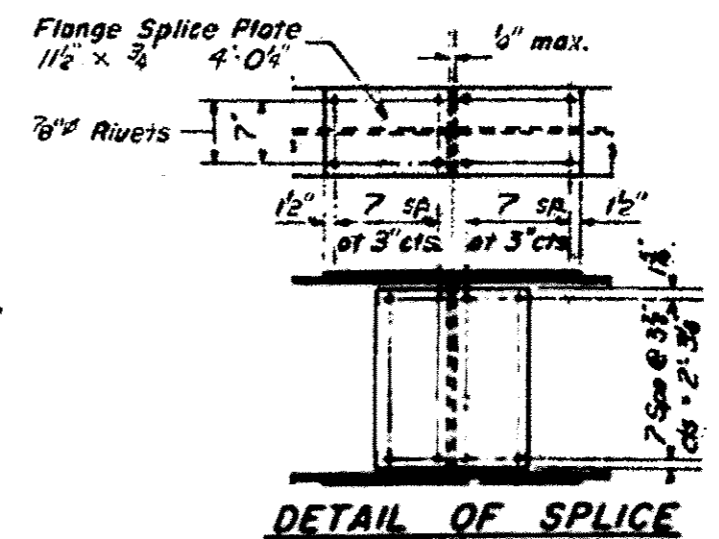
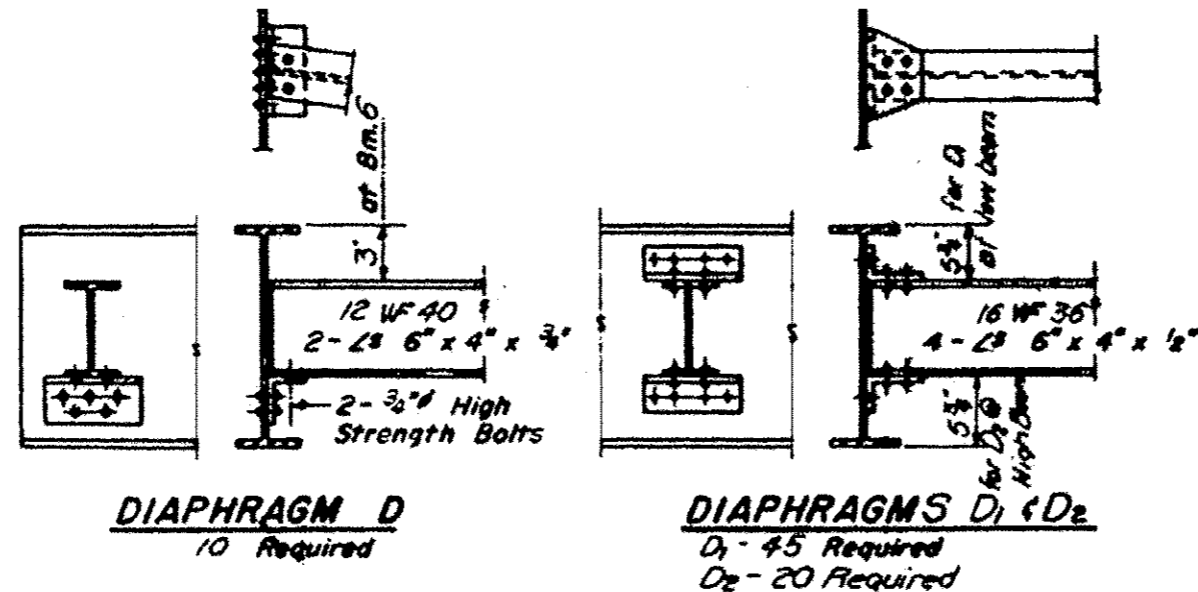


PLAN



FOR INFORMATION ONLY

FILE NAME =	USER NAME = gautneyrk	DESIGNED -	REVISED -	STATE OF ILLINOIS DEPARTMENT OF TRANSPORTATION	SN 028-0063 WEBSTER ST. OVER I-57	FAI	SECTION	COUNTY	TOTAL SHEETS	SHEET NO.	
g:\pov\work\p\wdot\gautneyrk\08090600\78	41-eh1-plan.dgn	DRAWN -	REVISED -			57	D9 BRIDGE PAINT 2013-1		23	17	
PLOT SCALE = 48.0000' / 1"		CHECKED -	REVISED -			CONTRACT NO. 78355					
PLOT DATE = 3/11/2013		DATE -	REVISED -			ILLINOIS FED. AID PROJECT					