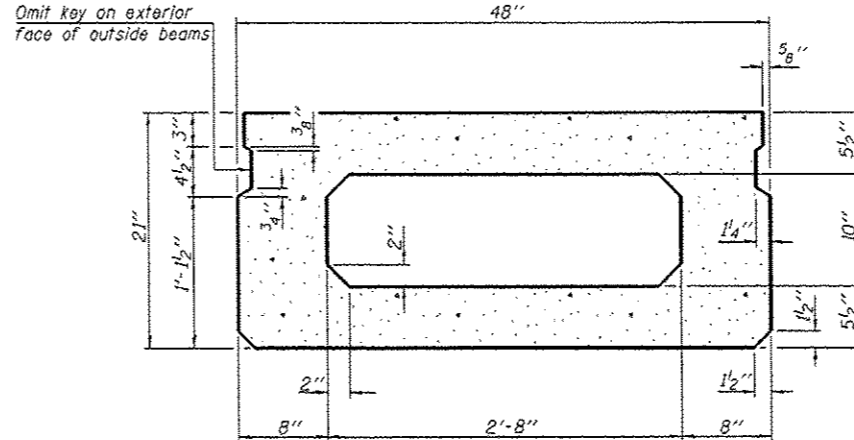
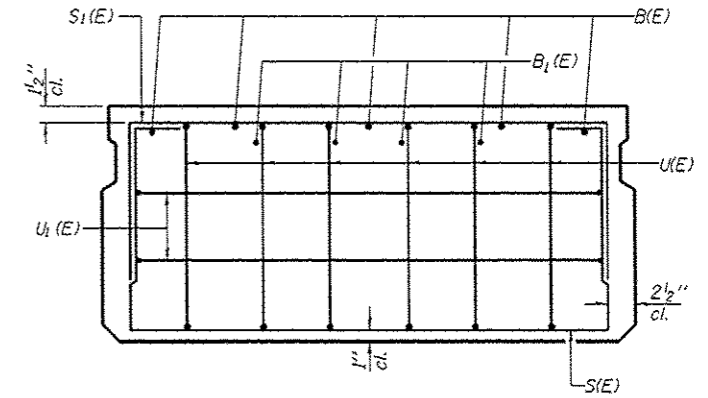


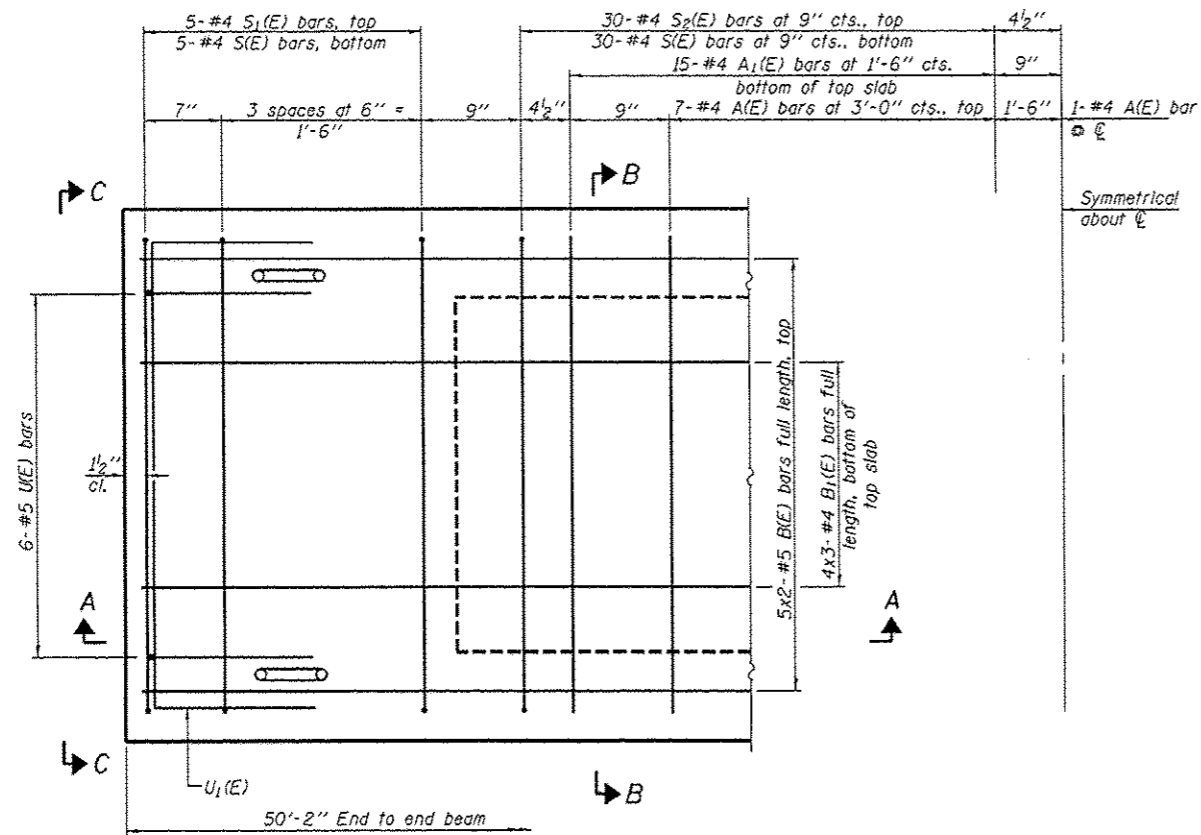
SECTION A-A



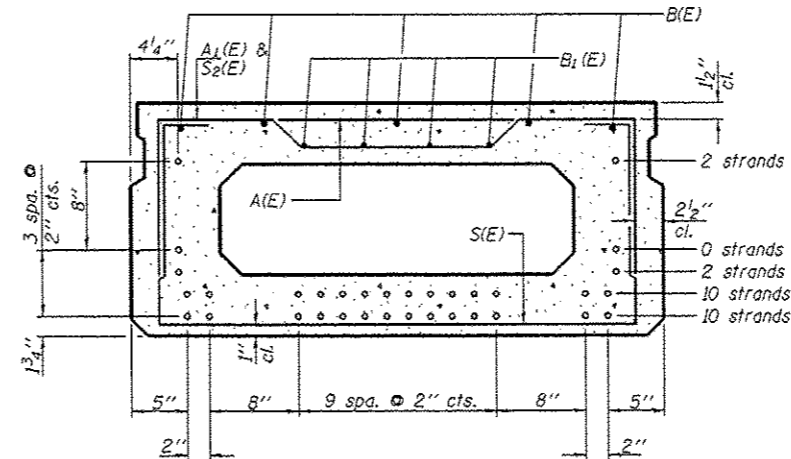
SECTION B-B  
(Showing dimensions)



VIEW C-C



PLAN VIEW



SECTION B-B

(Showing reinforcement and permissible strand locations)  
 Note: Place the number of strands specified in each row symmetrically about the centerline of beam in the permissible strand locations shown.

BAR LIST  
 ONE BEAM ONLY  
 (For Information Only)

Bar	No.	Size	Length	Shape
A(E)	15	#4	3'-7"	—
A1(E)	30	#4	3'-10"	—
B(E)	10	#5	26'-3"	—
B1(E)	12	#4	18'-0"	—
S(E)	70	#4	7'-5"	—
S1(E)	10	#4	5'-11"	—
S2(E)	60	#4	6'-2"	—
U(E)	12	#5	4'-0"	—
U1(E)	4	#4	6'-0"	—

Note: See sheets 3 & 4 of 11 for additional details and Bill of Material.

Note:  
 Spacing of S(E) and S2(E) bars may be adjusted up to 4" in the immediate area of the transverse tie diaphragms to miss the block outs for the transverse ties.  
 Bars indicated thus 5x2-#5 etc. indicates 5 lines of bars with 2 lengths per line.

MINIMUM BAR LAP  
 #4 bar = 2'-0"  
 #5 bar = 2'-6"

PD-2148-0

7-1-10

FILE NAME * 120957-sht-bridge.dgn	USER NAME *	DESIGNED - D.W.T.	REVISED -
HAMPSON, LENZINI AND RENWICK, INC. 2003 STEVENSON DRIVE, SUITE 101 SPRINGFIELD, ILLINOIS 62707	PLOT SCALE *	CHECKED - S.W.M.	REVISED -
ILLINOIS PROFESSIONAL DESIGN FIRM 137 W. 1/2 E. CORP. 184-000968	PLOT DATE * 3/1/2013	DRAWN - D.A.B.	REVISED -
		CHECKED - S.W.M.	REVISED -

STATE OF ILLINOIS  
 HARDIN COUNTY HIGHWAY DEPARTMENT

21" x 48" PPC DECK BEAM  
 STRUCTURE NO. 035-3052

SHEET NO. 2 OF 11 SHEETS

T.R.	SECTION	COUNTY	TOTAL SHEETS	SHEET NO.
97	07-01161-00-BR	HARDIN	15	6
COUNTY UNIT ROAD DISTRICT			CONTRACT NO. 99491	
ILLINOIS FED. AID PROJECT				