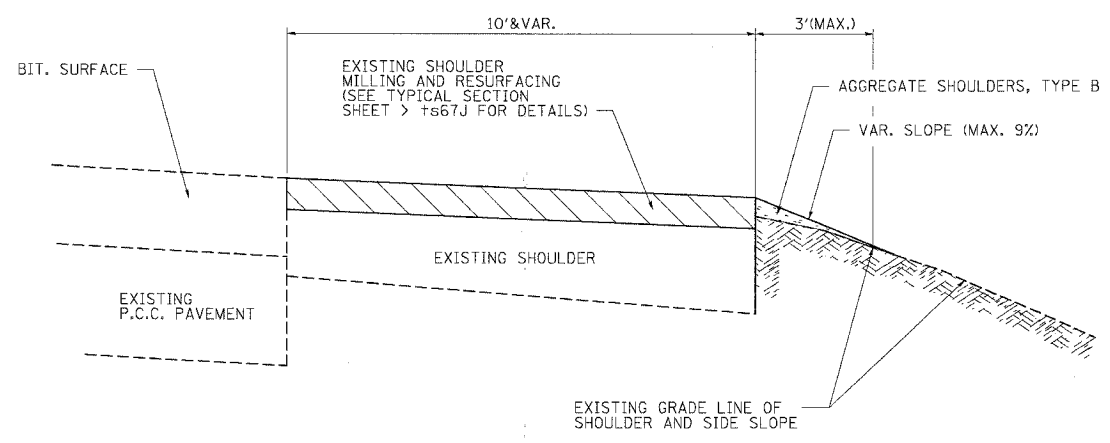
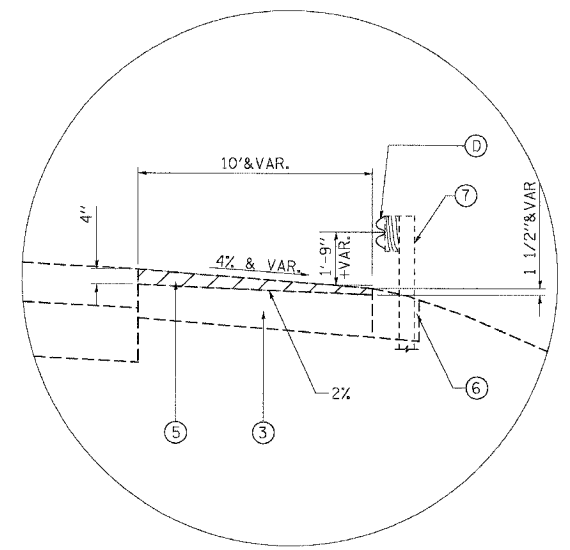


F.A.T. RTE.	SECTION	COUNTY	TOTAL SHEETS	SHEET NO.
55	99(1&2) I-10	WILL	52	5
STA.		TO STA.		
FED. ROAD DIST. NO.		ILLINOIS FED. AID PROJECT		

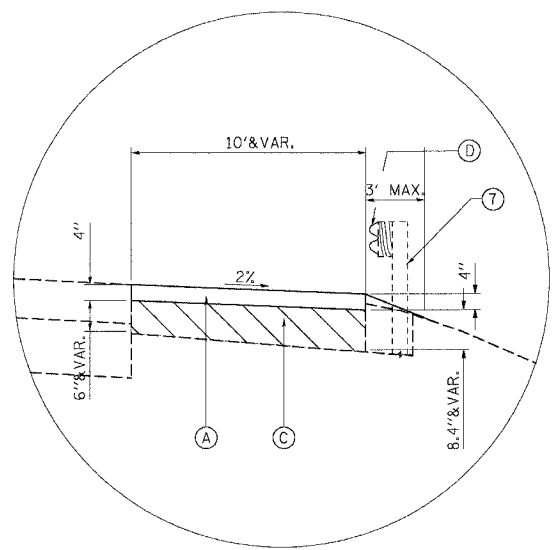


AGGREGATE SHOULDER DETAIL



DETAIL 'C'
SHOULDER MILLING AT SPBGR

(SEE NOTE 3 SHEET 4)



DETAIL 'D'
SHOULDER RESURFACING AT SPBGR

(SEE NOTE 3 SHEET 4)

EXISTING LEGEND

- ① P.C.C. PAVEMENT
- ② BITUMINOUS RESURFACING
- ③ BITUMINOUS SHOULDER (SEE NOTE 2 SHEET 4)
- ④ AGGREGATE SHOULDER
- ⑤ BITUMINOUS SURFACE REMOVAL (VARIABLE DEPTH)
- ⑥ BITUMINOUS STABILIZATION AT SPBGR
- ⑦ STEEL PLATE BEAM GUARDRAIL

PROPOSED LEGEND

- (A) BITUMINOUS BASE COURSE, 4"
- (B) AGGREGATE SHOULDERS, TYPE B (SPECIAL)
- (C) CLASS D PATCHES, 6" (SEE NOTE 1 SHEET 4)
- (D) SEE THE GENERAL NOTES ON SHEET 2 FOR TREATMENT OF THE EXISTING RAIL ELEMENT.

REVISIONS	
NAME	DATE

ILLINOIS DEPARTMENT OF TRANSPORTATION
FAI ROUTE 55 (I-80 TO U.S. 30)
SHOULDER MILLING AND RESURFACING

**TYPICAL SECTIONS
DETAILS**

SCALE: N.T.S. DRAWN BY: OP
DATE: 03/15/06 CHECKED BY: DDH

TENG
TENG & ASSOCIATES, INC.
ENGINEERS/ARCHITECTS/PLANNERS
CHICAGO, ILLINOIS

PLOT DATE = 03/15/06
 FILE NAME = 031506.DWG
 PLOT SCALE = 1/4"=1'-0"
 USER NAME = JUSER
 S:\DOCUMENTS\238159\1\CIVIL\JOB\1506\1506.DWG
 GARCIAZ