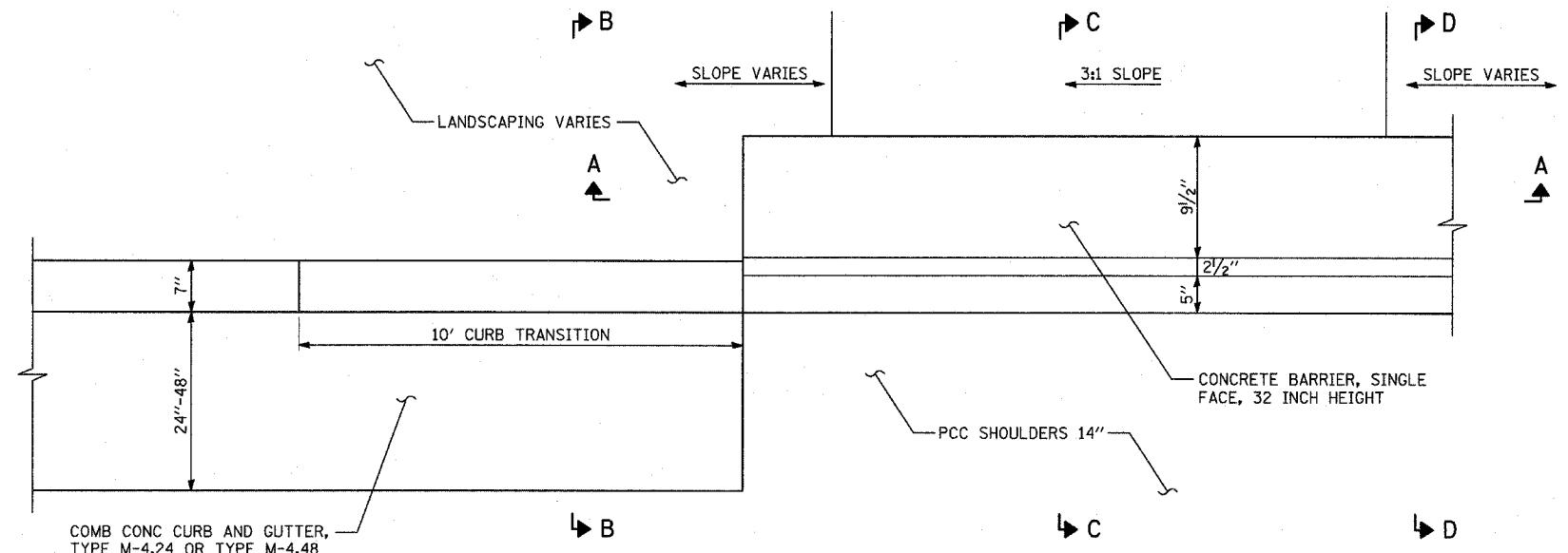
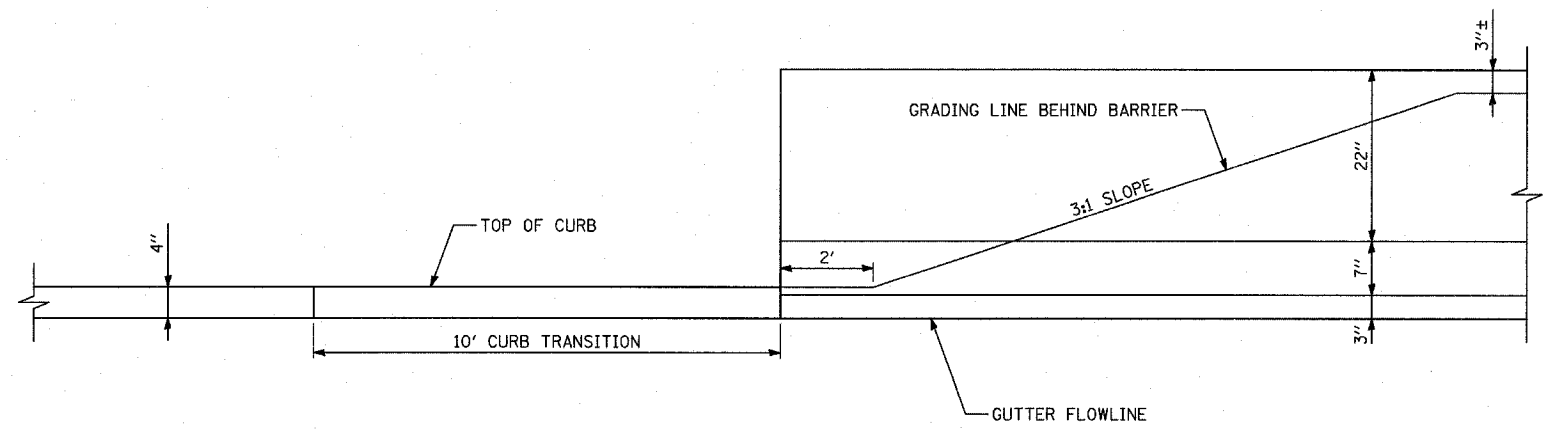


F.A.I. RTE.	SECTION	COUNTY	TOTAL SHEETS	SHEET NO.
94	1818 R-3	COOK	265	51
STA. 2316+00		TO STA. 2367+00		
FED. ROAD DIST. NO.	ILLINOIS	FED. AID PROJECT		

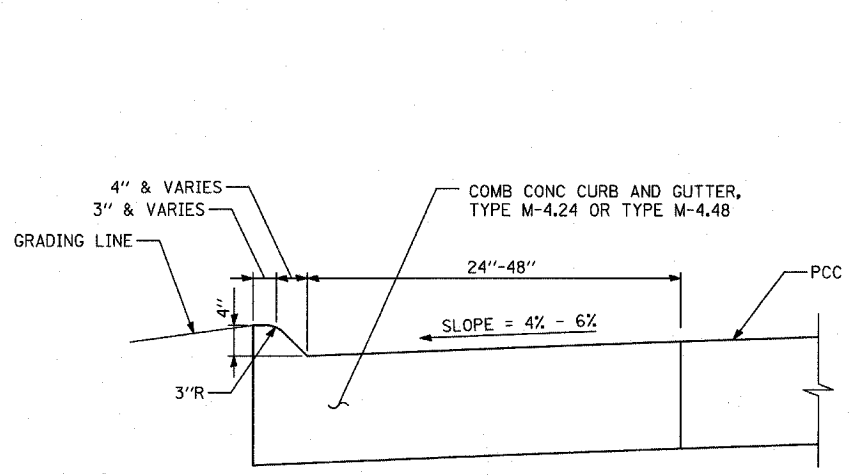
60B17



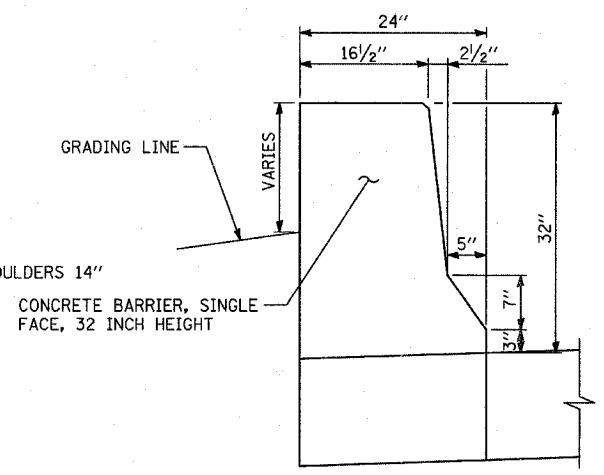
PLAN VIEW: GRADING AT END OF CONCRETE BARRIER



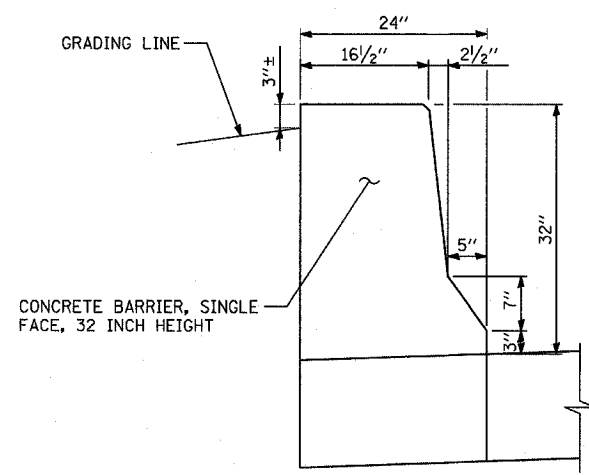
SECTION A-A: ELEVATION VIEW



SECTION B-B



SECTION C-C



SECTION D-D

NOTES:

- SEE DRAINAGE AND UTILITY PLANS, CROSS-SECTIONS, AND LANDSCAPING PLANS FOR GRADING LIMITS AND DETAILS.

REVISIONS	
NAME	DATE

ILLINOIS DEPARTMENT OF TRANSPORTATION  
 F.A.I. 94 (DAN RYAN EXPRESSWAY)

MISCELLANEOUS DETAILS:  
 GRADING DETAIL AT END  
 OF CONCRETE BARRIER

SCALE: NONE  
 DATE: MARCH 7, 2006

DRAWN BY: MPG  
 CHECKED BY: TGB

TYLIN INTERNATIONAL