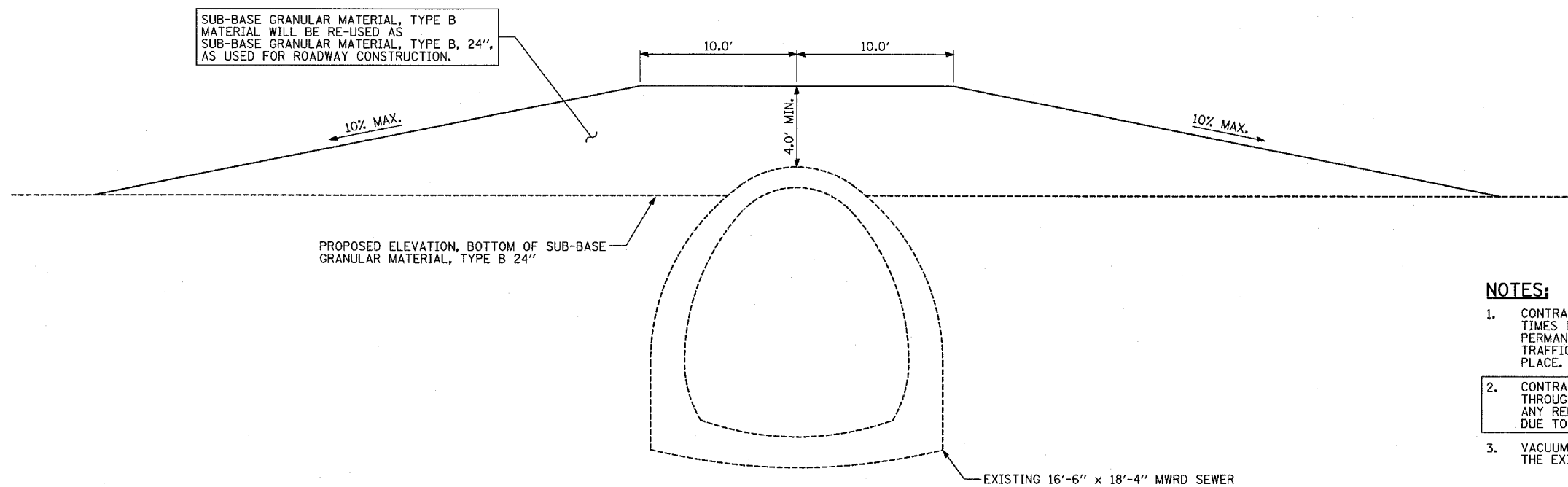


COMBINED SEWER CROSSING STATIONS:

1. NB I-94 STA. 2325+89.20 (10'-0" x 8'-0" BOX)
2. NB I-94 STA. 2345+88.46 (60")

COMBINED SEWER CONSTRUCTION PROTECTION

(SEE COMBINED SEWER CROSSING STATIONS)



16'-6" x 18'-4" MWRD SEWER CONSTRUCTION PROTECTION

NB I-94 STA. 2359+12.18

NOTES:

1. CONTRACTOR WILL PROVIDE A MINIMUM COVER, AS SHOWN ABOVE AT ALL TIMES DURING CONSTRUCTION AND PRIOR TO THE INSTALLATION OF THE PERMANENT PROTECTION SLAB AND/OR ROADWAY. CONSTRUCTION TRAFFIC SHALL NOT CROSS THE SEWER PIPE WITHOUT PROTECTION IN PLACE.
2. CONTRACTOR IS RESPONSIBLE FOR THE INTEGRITY OF SEWER PIPE THROUGH THE DURATION OF THE PROJECT, AND WILL NOT BE PAID FOR ANY REPAIRS REQUIRED, AS DETERMINED BY THE ENGINEER, TO THE PIPE, DUE TO CONSTRUCTION ACTIVITIES.
3. VACUUM EXCAVATION OR HAND DIGGING MUST BE USED WITHIN 2'-0" OF THE EXISTING 16'-6" x 18'-4" MWRD SEWER ONLY.

REVISIONS	
NAME	DATE

ILLINOIS DEPARTMENT OF TRANSPORTATION
F.A.I. 94 (DAN RYAN EXPRESSWAY)

MISCELLANEOUS DETAILS:
WORK ZONE UTILITY PROTECTION

SCALE: NONE
DATE: MARCH 7, 2006
DRAWN BY: RTM
CHECKED BY: TGB