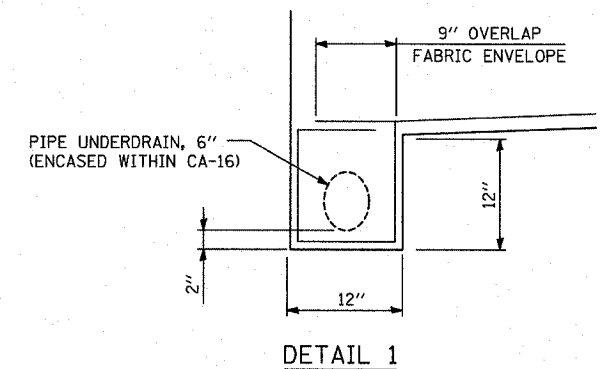


PROPOSED NB I-94 MAINLINE PAVEMENT
 LOCATIONS VARY BETWEEN 79TH STREET & 75TH TO 71ST STREET C-D RAMPS



NOTES:

- (1) GEOTECHNICAL FABRIC FOR GROUND STABILIZATION SHALL BE PLACED THE ENTIRE WIDTH FROM INSIDE EDGE OF PIPE UNDERDRAIN TRENCH TO INSIDE EDGE OF PIPE UNDERDRAIN TRENCH, AND SUB-BASE GRANULAR MATERIAL TYPE B-24" SHALL BE PLACED THE ENTIRE WIDTH FROM BACK-OF-CURB TO BACK-OF-CURB PRIOR TO UNDERDRAIN INSTALLATION. REPLACEMENT OF THE SACRIFICIAL SUB-BASE GRANULAR MATERIAL TYPE B-24" ABOVE THE NEWLY PLACED PIPE UNDERDRAIN TRENCHES SHALL BE INCLUDED IN THE UNIT PRICE OF THE PIPE UNDERDRAIN, 6".
- (2) RIGHT SHOULDER IN DIRECTION OF TRAFFIC
- (3) LEFT SHOULDER IN DIRECTION OF TRAFFIC
- (4) FABRIC ENVELOPE AND CA-16 ARE INCLUDED IN THE UNIT COST FOR PIPE UNDERDRAINS

REVISIONS	
NAME	DATE