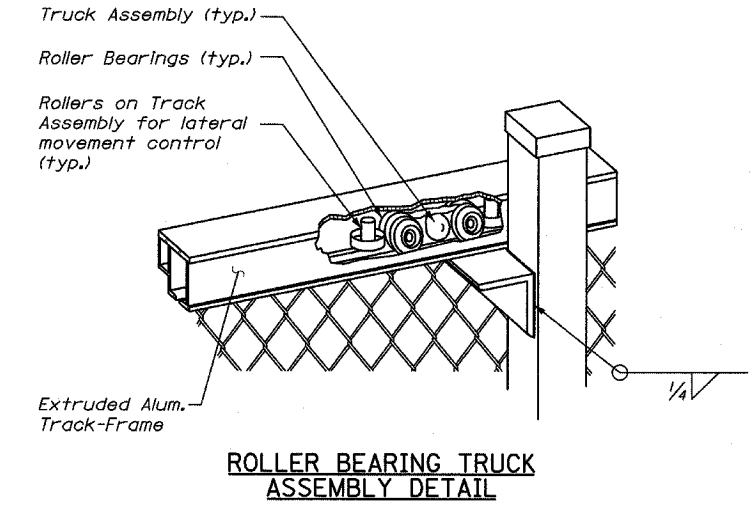
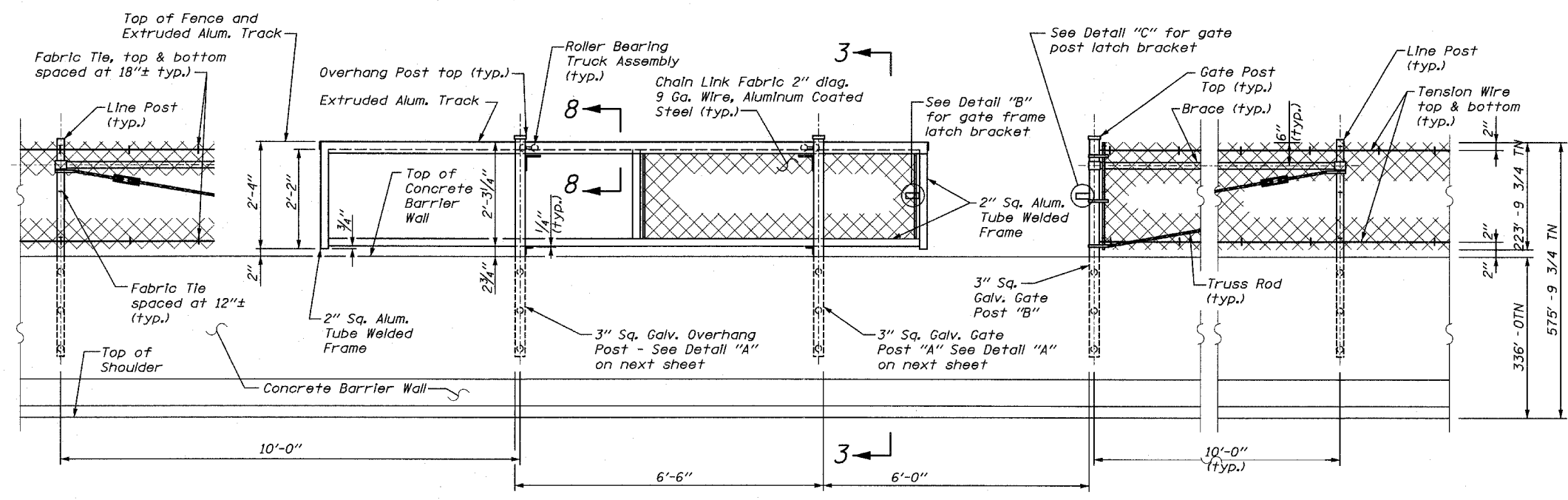


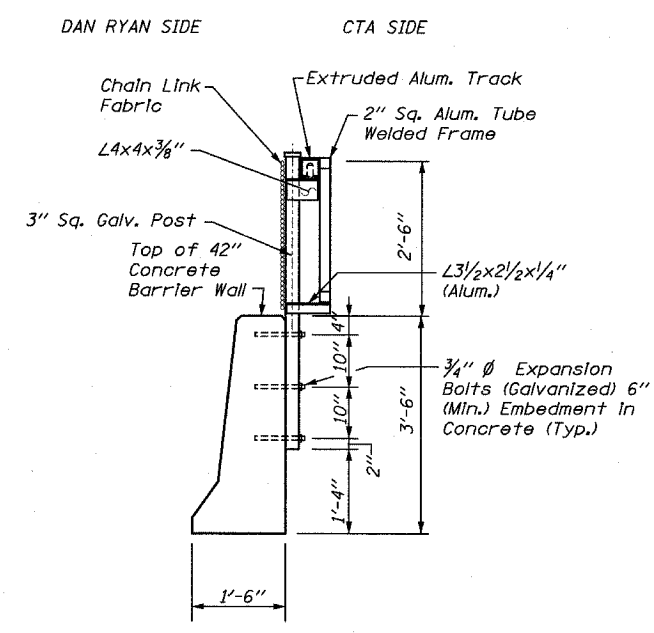
**PLAN**  
(BARRIER WALL NOT SHOWN)



**ROLLER BEARING TRUCK ASSEMBLY DETAIL**



**ELEVATION CTA FENCE & CTA GATE**  
(FOOTING NOT SHOWN)



**SECTION 3-3**

REVISIONS	
NAME	DATE