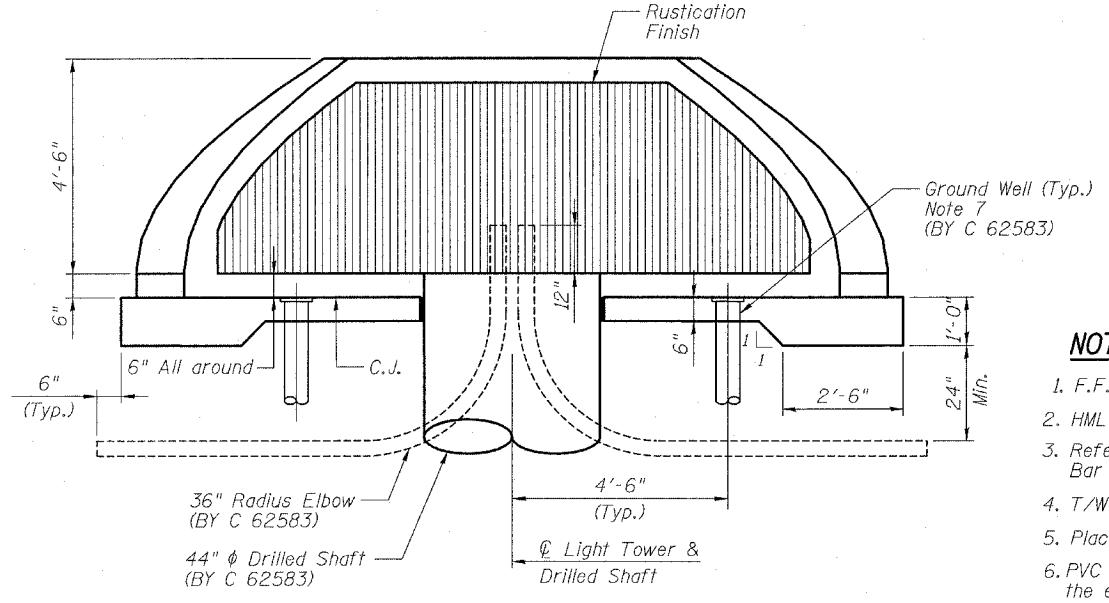


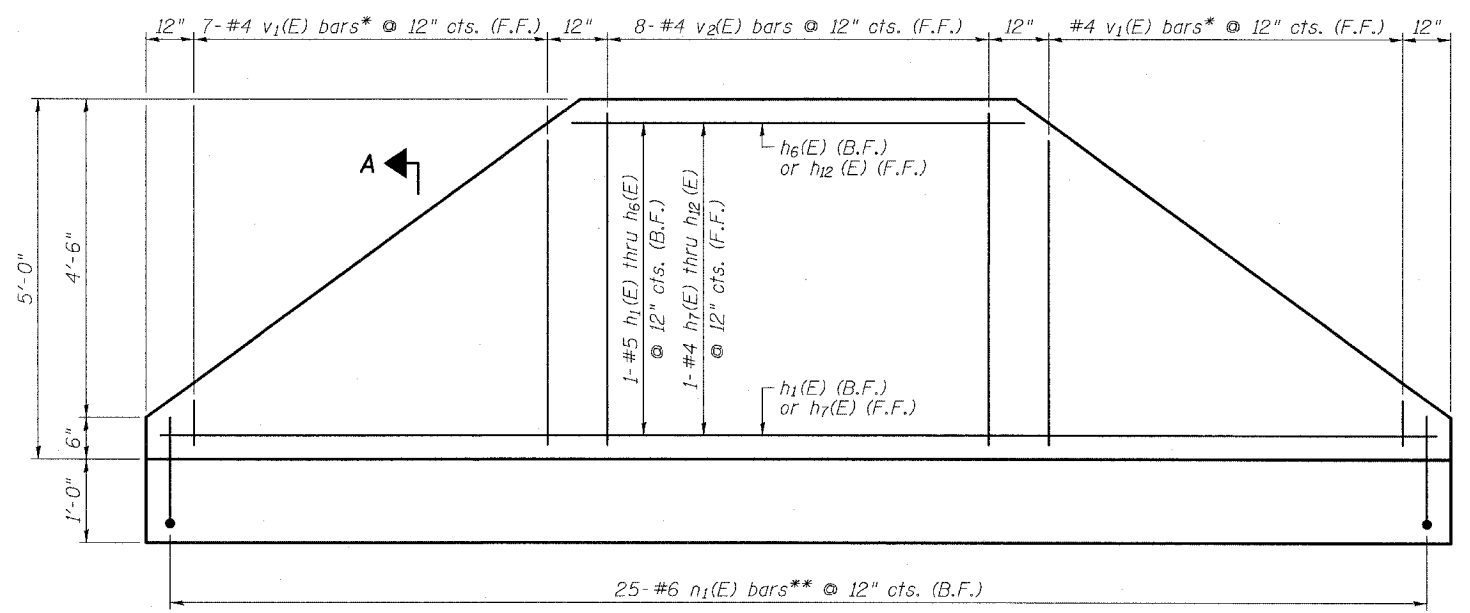
PLAN VIEW
Place Bars w₁(E) thru w₅(E) @ 12" cts., Bott. of Pad



ELEVATION VIEW
(HMLT not shown for clarity)

NOTES

1. F.F. and B.F. denote Front Face and Back Face, respectively.
2. HMLT denotes High Mast Light Tower.
3. Refer to HMLT Service Pad, Special & Retaining Wall Details 2 for Bar Bending Diagrams, Bill of Material, Bar Sections and Details.
4. T/Wall slope is constant along the arc of any given radius.
5. Place horizontal tails of n₁(E) bars radially.
6. PVC sleeves must be extended 6 inches by Contract 62583 beyond the edge of the concrete pad.
7. Ground wells 4'-6" as measured from centerline of the HMLT to centerline of the well to be installed by Contract 62583. Adjust service pad reinforcement to miss wells. Any necessary vertical adjustments will be performed by the contractor who installed the ground wells at the specific location.



5'-0" RETAINING WALL ELEVATION (PROJECTED)
(Looking at F.F.)

* Cut to fit, use remainder of bars at opposite end of wall. See Cutting Diagram, Sheet 561 of 916.
** Cut to fit where necessary, discard excess.

REVISIONS	
NAME	DATE