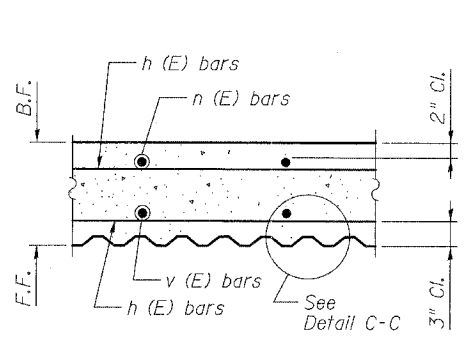
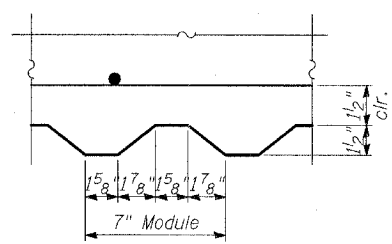


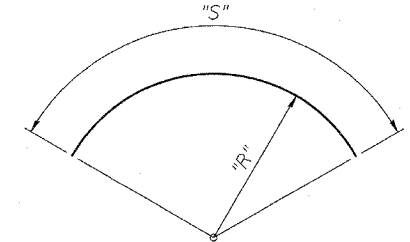
SECTION A-A



SECTION B-B



DETAIL C-C



Bar	"R"	"S"
h1(E)	7'-7"	23'-6"
h2(E)	7'-7"	20'-10"
h3(E)	7'-7"	17'-8"
h4(E)	7'-7"	14'-6"
h5(E)	7'-7"	11'-4"
h6(E)	7'-7"	8'-2"
h7(E)	7'-1 1/2"	22'-1"
h8(E)	7'-1 1/2"	19'-7"
h9(E)	7'-1 1/2"	16'-7"
h10(E)	7'-1 1/2"	13'-7"
h11(E)	7'-1 1/2"	10'-8"
h12(E)	7'-1 1/2"	7'-8"
w1(E)	7'-7"	24'-4"
w2(E)	6'-8"	21'-7"
w3(E)	5'-10"	18'-10"
w4(E)	4'-9"	15'-5"
w5(E)	3'-6"	11'-6"

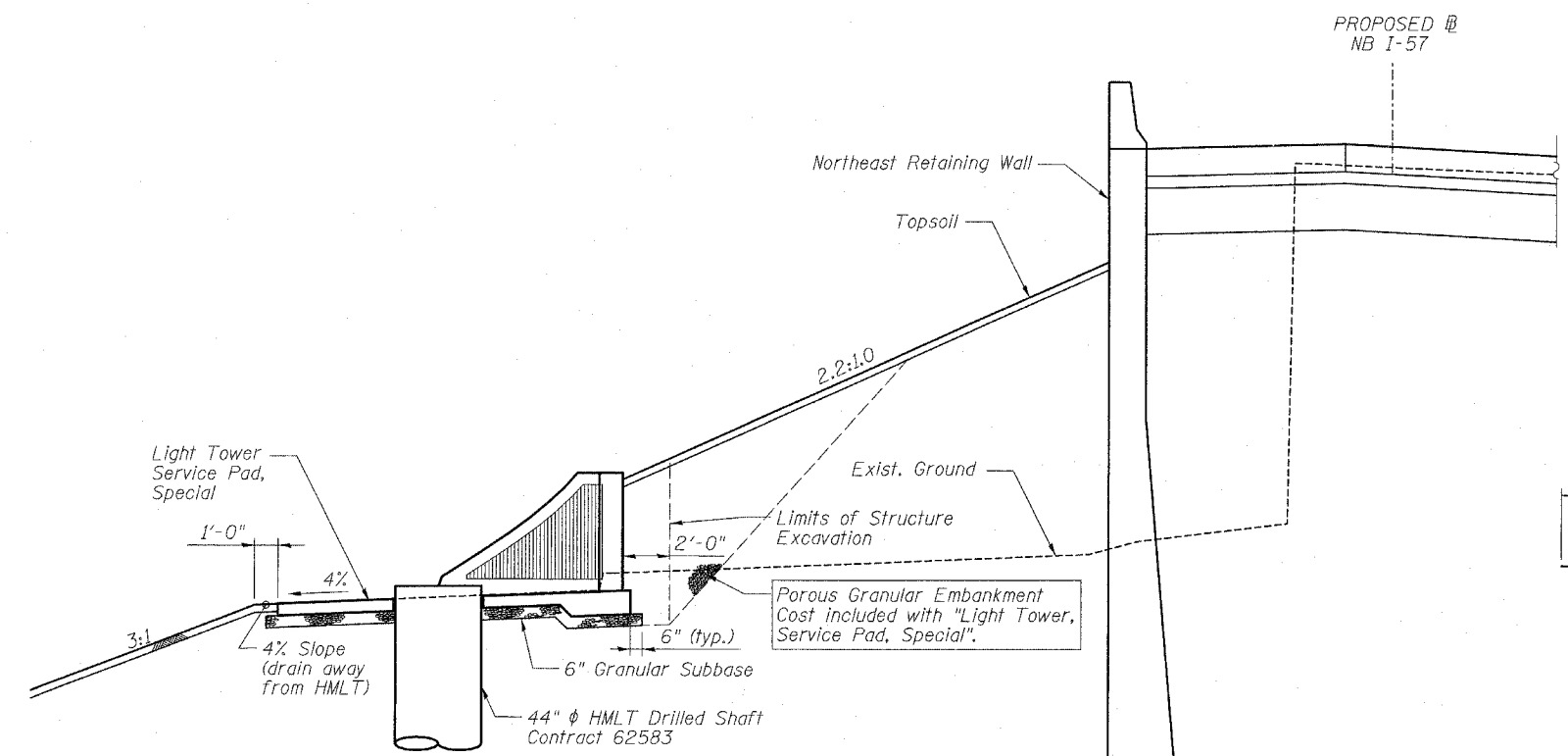
Note: "R" and "S" measured along bar centerline

BARS w1(E) thru w5(E) & h1(E) thru h12(E)

BILL OF MATERIAL

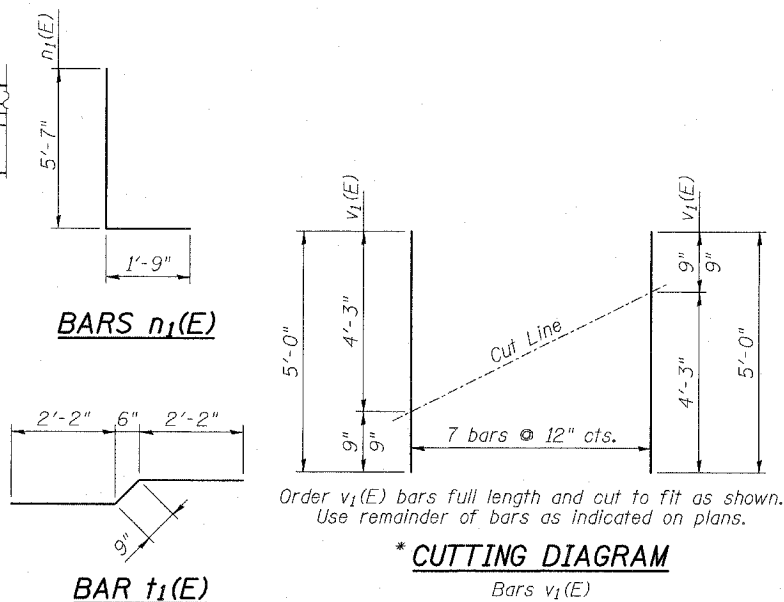
Light Tower Service Pad, Special with 5'-0" Wall

Bar	No.	Size	Length	Shape
h1(E)	1	#5	23'-6"	Curve
h2(E)	1	#5	20'-10"	Curve
h3(E)	1	#5	17'-8"	Curve
h4(E)	1	#5	14'-6"	Curve
h5(E)	1	#5	11'-4"	Curve
h6(E)	1	#5	8'-2"	Curve
h7(E)	1	#4	22'-1"	Curve
h8(E)	1	#4	19'-7"	Curve
h9(E)	1	#4	16'-7"	Curve
h10(E)	1	#4	13'-7"	Curve
h11(E)	1	#4	10'-8"	Curve
h12(E)	1	#4	7'-8"	Curve
n1(E)	25	#6	7'-4"	Rect
t1(E)	25	#6	5'-1"	Rect
v1(E)	7	#4	5'-0"	Rect
v2(E)	8	#4	4'-8"	Rect
w1(E)	1	#5	24'-4"	Curve
w2(E)	1	#5	21'-7"	Curve
w3(E)	1	#5	18'-10"	Curve
w4(E)	1	#5	15'-5"	Curve
w5(E)	1	#5	11'-6"	Curve



SECTION THRU EMBANKMENT

(At Typ. Tower Location)
HMLT not shown for clarity



*** CUTTING DIAGRAM**

Bars v1(E)

BILL OF MATERIAL

Item	Unit	5' Total
Welded Wire Fabric	Sq. Yd.	18
Structure Excavation	Cu. Yd.	11
Concrete Structures	Cu. Yd.	7.2
Reinforcement Bars, Epoxy Coated	Pound	775
Rustication Finish	Sq. Ft.	55
Protective Coat	Sq. Yd.	29
Sub-Base Granular Material, Type B 6"	Sq. Yd.	22

NOTES

- F.F. and B.F. denote Front Face and Back Face, respectively.
- HMLT denotes High Mast Light Tower.
- See IDOT Standard Drawing BE501 for additional High Mast Light Tower foundation and ground well details.
- Reinforcement Bars designated (E) shall be epoxy coated.
- Refer to High Mast Light Tower Service Pad, Special & Retaining Wall Details 1 for location and orientation of conduit sleeves and grounding wells.
- Contractor shall maintain integrity of Frontage Roads as may be required in excavating for HMLT service pad walls.
- Provide Protective Coat to top, front face, exposed portion of back face, and ends of walls, and top and edges of pad.

TOTAL BILL OF MATERIAL

Item	Unit	Total
Light Tower, Service Pad, Special	Each	1

REVISIONS	
NAME	DATE