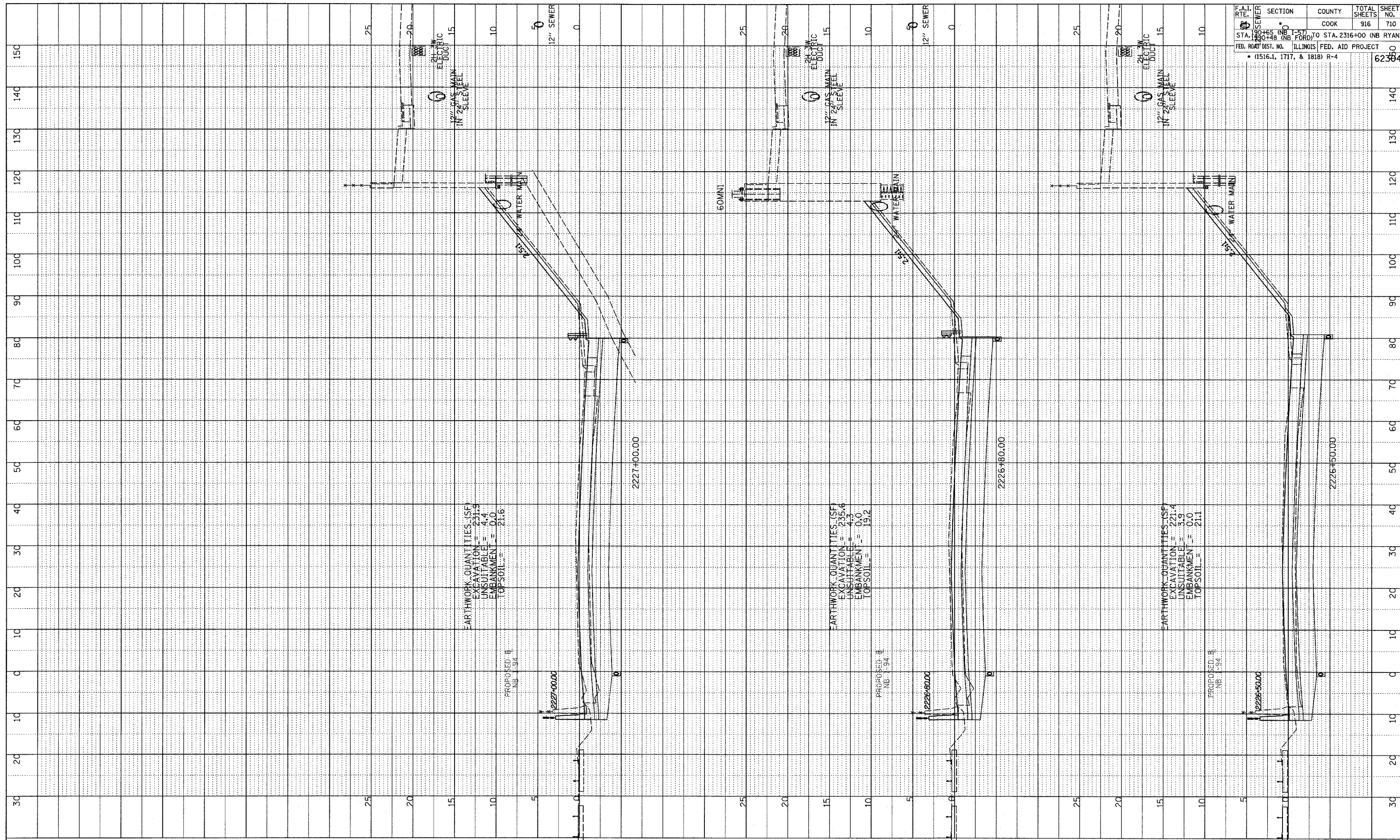
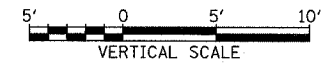
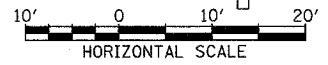


PROFILE	DATE
BY	
REVISED	
GRADES CHECKED	
NO. NOTED	
STRUCTURE NOTATIONS	CHRG



F.A.I. RTE.	SECTION	COUNTY	TOTAL SHEETS	SHEET NO.
156 SEWER	157	COOK	916	710
STA. 2226+50 (NB FORD) TO STA. 2316+00 (NB RYAN)				
ILLINOIS FED. AID PROJECT				
• (1516.1, 1717, & 1818) R-4				
				62384

TYLIN INTERNATIONAL



NORTHBOUND I-94 (DAN RYAN EXPWY)  
STA. 2226+50 TO STA. 2227+00

03/03/2006 04:00:56 PM