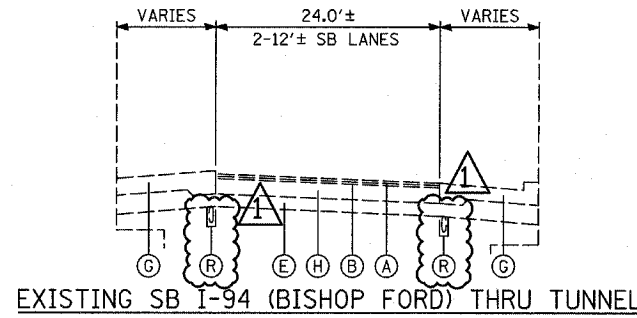
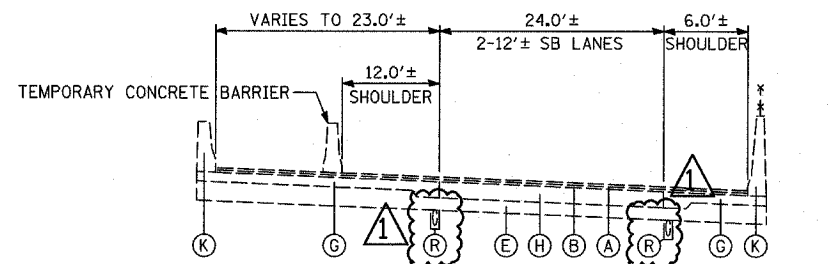


F.A.I. RTE.	SECTION	COUNTY	TOTAL SHEETS	SHEET NO.
94		COOK	764	22
STA. 88+60 (SB I-57) TO STA. 1313+00 (SB RYAN)				
FED. ROAD DIST. NO. ILLINOIS FED. AID PROJECT				
(1516.1, 1717, & 1818) R-5				

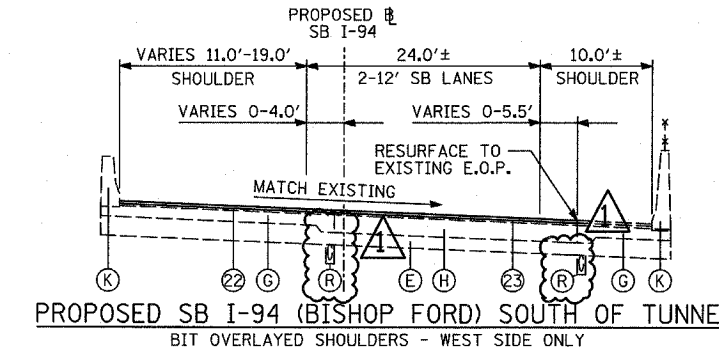
62593



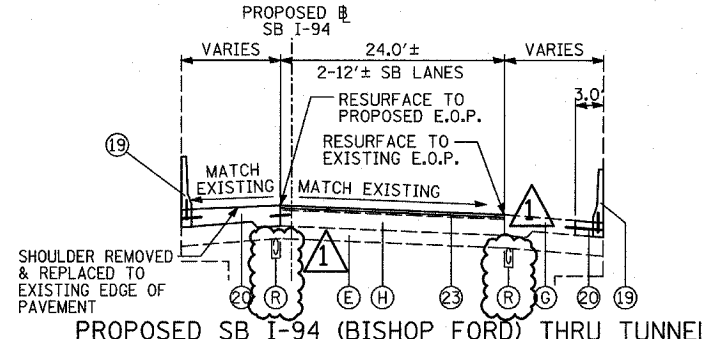
EXISTING SB I-94 (BISHOP FORD) THRU TUNNEL



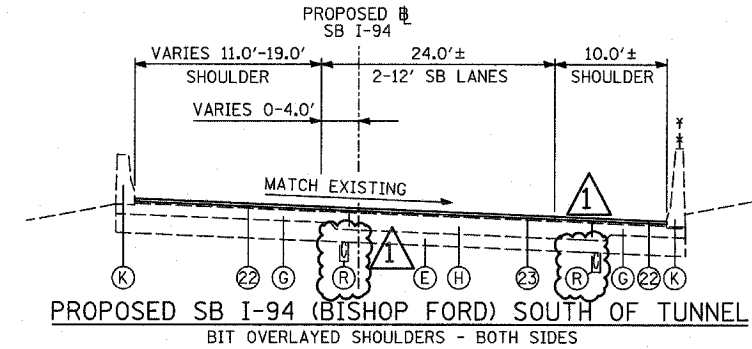
EXISTING SB I-94 (BISHOP FORD) SOUTH OF TUNNEL
SEE EXISTING/PROPOSED PLAN SHEETS FOR LOCATIONS OF BITUMINOUS/PCC SHOULDERS



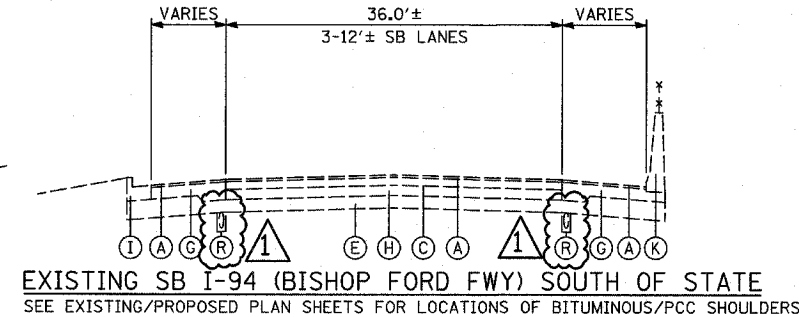
PROPOSED SB I-94 (BISHOP FORD) SOUTH OF TUNNEL
BIT OVERLAYED SHOULDERS - WEST SIDE ONLY



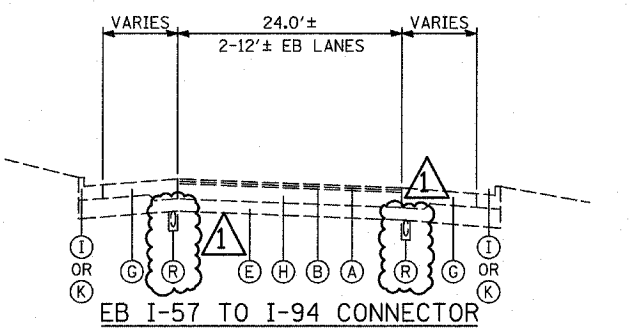
PROPOSED SB I-94 (BISHOP FORD) THRU TUNNEL



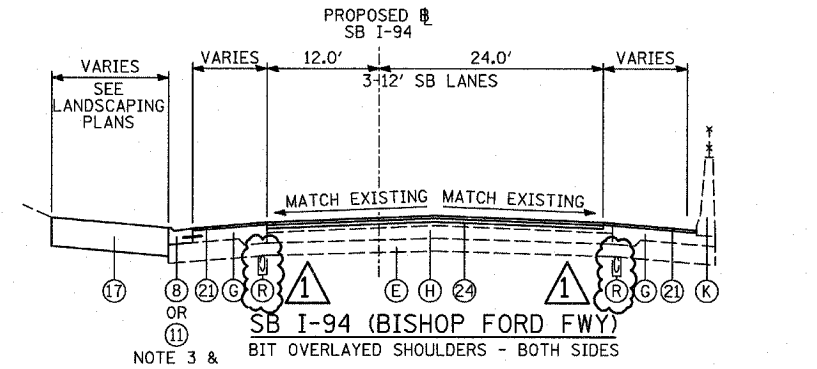
PROPOSED SB I-94 (BISHOP FORD) SOUTH OF TUNNEL
BIT OVERLAYED SHOULDERS - BOTH SIDES



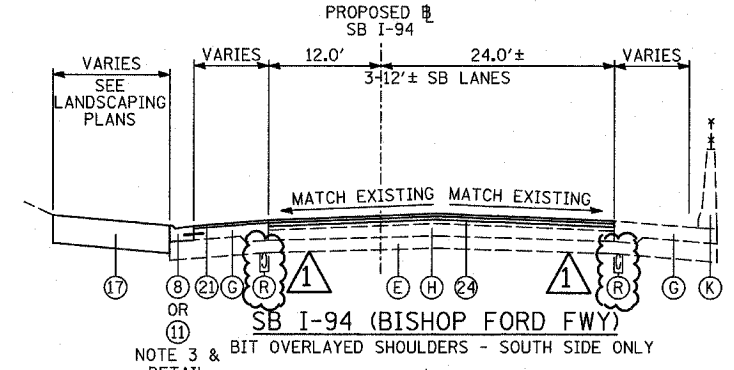
EXISTING SB I-94 (BISHOP FORD FWY) SOUTH OF STATE
SEE EXISTING/PROPOSED PLAN SHEETS FOR LOCATIONS OF BITUMINOUS/PCC SHOULDERS



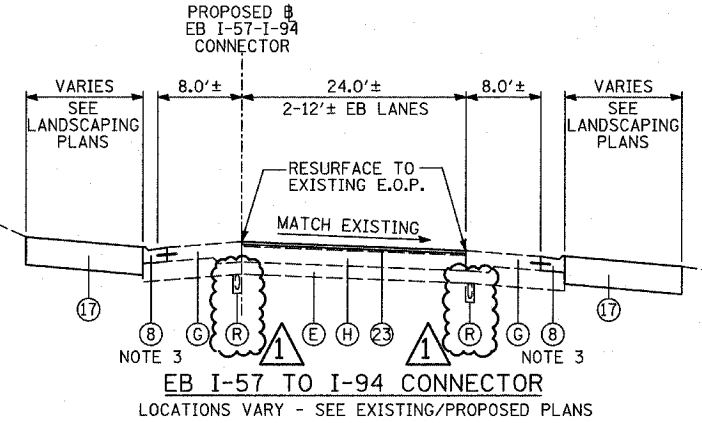
EB I-57 TO I-94 CONNECTOR



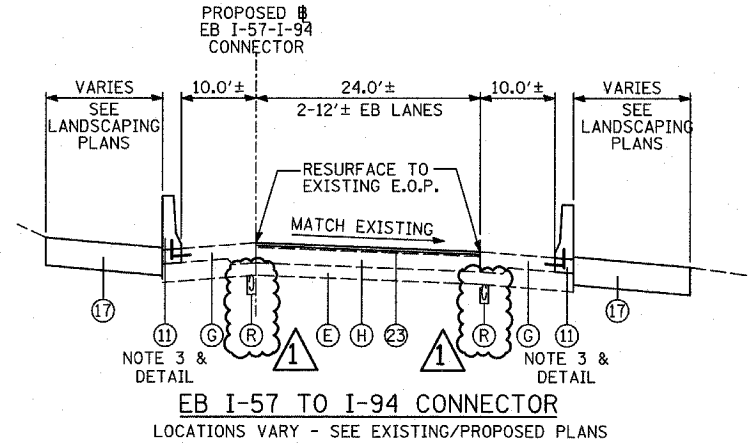
SB I-94 (BISHOP FORD FWY)
BIT OVERLAYED SHOULDERS - BOTH SIDES



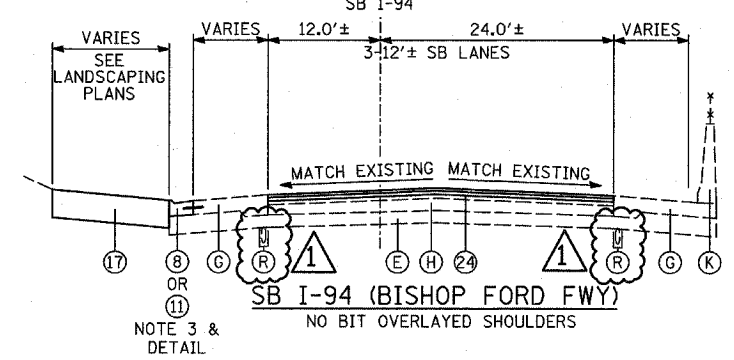
SB I-94 (BISHOP FORD FWY)
BIT OVERLAYED SHOULDERS - SOUTH SIDE ONLY



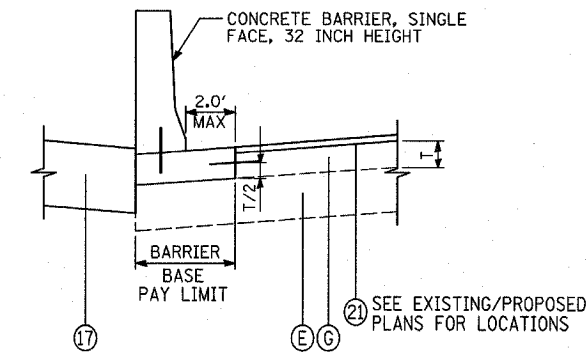
EB I-57 TO I-94 CONNECTOR
LOCATIONS VARY - SEE EXISTING/PROPOSED PLANS



EB I-57 TO I-94 CONNECTOR
LOCATIONS VARY - SEE EXISTING/PROPOSED PLANS



SB I-94 (BISHOP FORD FWY)
NO BIT OVERLAYED SHOULDERS



DETAIL OF EXTENDED BARRIER BASE
IF NECESSARY - FIELD CONDITIONS WILL DICTATE NEED

- PROPOSED LEGEND**
- CONTINUOUSLY REINFORCED PORTLAND CEMENT CONCRETE PAVEMENT 14" & PAVEMENT REINFORCEMENT, 14"
 - STABILIZED SUB-BASE, 6" (BITUMINOUS AGGREGATE MIXTURE)
 - SUB-BASE GRANULAR MATERIAL, TYPE B 24"
 - GEOTECHNICAL FABRIC FOR GROUND STABILIZATION
 - CONCRETE MEDIAN SURFACE, 6 INCH (SPECIAL)
 - CONCRETE MEDIAN SURFACE, 6 INCH (SPECIAL) (WITHOUT STAMPED PATTERN)
 - COMBINATION CONCRETE CURB AND GUTTER, TYPE M-2.24
 - COMBINATION CONCRETE CURB AND GUTTER, TYPE M-4.24
 - COMBINATION CONCRETE CURB AND GUTTER, TYPE M-4.48
 - PORTLAND CEMENT CONCRETE SHOULDERS 14"
 - CONCRETE BARRIER, SINGLE FACE, 32 INCH HEIGHT; BARRIER BASE; BARRIER WALL MARKERS (PER IDOT STD. 635001 & 635006)
 - TRAFFIC BARRIER TERMINAL, TYPE VARIES
 - TOPSOIL FURNISH AND PLACE, 4"; SEEDING, CLASS 2A; EROSION CONTROL BLANKET
 - AGGREGATE FILL (INCLUDED IN THE COST OF "CONCRETE MEDIAN SURFACE, 6" (SPECIAL) (MATCH DEPTH TO ADJACENT CURB & GUTTER)
 - CONCRETE BARRIER, SINGLE FACE, 42 INCH HEIGHT (SPECIAL); BARRIER BASE; CTA FENCE (SEE DETAILS); BARRIER WALL MARKERS (PER IDOT STD. 635001 & 635006)
 - PIPE UNDERDRAIN, 6" (SEE DETAILS)
 - TOPSOIL FURNISH AND PLACE, 12"; COMPOST FURNISH AND PLACE, 6"; EROSION CONTROL BLANKET; SEEDING (SEE PLAN FOR CLASS)
 - ELECTRICAL DUCTBANK (SEE ELECTRICAL INFRASTRUCTURE PLANS)
 - CONCRETE BARRIER, SINGLE FACE, 32 INCH HEIGHT (MODIFIED); BARRIER BASE; BARRIER WALL MARKERS (PER IDOT STD. 635001 & 635006)
 - PORTLAND CEMENT CONCRETE SHOULDERS 9"
 - 1/2" SHOULDER RESURFACING: BITUMINOUS CONCRETE SURFACE COURSE, SUPERPAVE, MIX "D", N70, 1/2"
 - 1 3/4" SHOULDER RESURFACING: BITUMINOUS CONCRETE SURFACE COURSE, SUPERPAVE, MIX "D", N70, 1 3/4"
 - 1 3/4" MAINLINE RESURFACING: POLYMERIZED BITUMINOUS CONCRETE SURFACE COURSE, SUPERPAVE, MIX "F", N105, 1 3/4"
 - 4" MAINLINE RESURFACING: POLYMERIZED BITUMINOUS CONCRETE SURFACE COURSE, SUPERPAVE, MIX "F", N105, 1 3/4"; POLYMERIZED BITUMINOUS CONCRETE BINDER COURSE, SUPERPAVE, IL-19, N105, 2 1/4"
 - PORTLAND CEMENT CONCRETE PAVEMENT, 14" (JOINTED)

- EXISTING LEGEND** ALL EXISTING PAVEMENT DEPTHS ARE FROM AS-BUILT PLANS AND ARE SUBJECT TO CHANGE
- BIT CONC SURFACE COURSE, 1/2"±
 - BIT CONC BINDER COURSE, 1/2"±
 - BIT CONC BINDER COURSE, 4 3/4"±
 - SUB-BASE GRANULAR MATERIAL, 4"±
 - SUB-BASE GRANULAR MATERIAL, 6"±
 - CRUSHED STONE, 5"± (EXISTING PIPE UNDERDRAIN (REMOVAL TO BE PAID FOR SEPARATELY. SEE SPECIAL PROVISION "PIPE UNDERDRAIN REMOVAL")
 - PCC SHOULDERS, 9"±
 - PCC BASE COURSE, 9"±
 - COMB CONC CURB & GUTTER
 - PCC PAVEMENT, 10"± (W/ PAVEMENT FABRIC, 80 LBS±/100 SF)
 - CONCRETE BARRIER WALL
 - PCC SHOULDERS, 11"±
 - CTA BALLAST STONE; REGRADE AS NECESSARY (INCLUDE REGRADING IN THE COST OF "CONCRETE BARRIER, SINGLE FACE, 42 INCH HEIGHT (SPECIAL)")
 - JOINTED PCC PAVEMENT, 11"±
 - STABILIZED SUB-BASE, 4"±
 - SUB-BASE GRANULAR MATERIAL, 24"±
 - SUB-BASE GRANULAR MATERIAL, 12"±

- NOTES:**
- REFER TO PAVEMENT JOINTING AND ELEVATION PLANS FOR DESCRIPTIONS AND DETAILS OF PAVEMENT JOINTS.
 - ANY REQUIRED REGRADING OF EXISTING ADJACENT SUB-BASE GRANULAR MATERIAL SHALL BE INCLUDED IN THE COST OF "SUB-BASE GRANULAR MATERIAL, TYPE B 24"
 - PROPOSED CURB OR BARRIER BASE SHALL BE PLACED ON EXISTING SUBGRADE WITH THICKNESS EQUAL TO EXISTING ADJACENT PCC SHOULDERS. RECOMPACTING OF EXISTING SUBGRADE OR PLACEMENT OF ADDITIONAL AGGREGATE SHALL BE INCLUDED IN THE COST OF "COMBINATION CONCRETE CURB AND GUTTER, TYPE M-4.24, OR "CONCRETE BARRIER, SINGLE FACE", OF THE TYPE SPECIFIED.

REVISIONS		ILLINOIS DEPARTMENT OF TRANSPORTATION	
NAME	DATE	F.A.I. 94 (DAN RYAN EXPRESSWAY)	
		EXISTING & PROPOSED TYPICAL SECTIONS INTERCHANGE AREA (SHEET 8 OF 8)	
		SCALE: NONE	DRAWN BY: MFG
		DATE: MARCH 1, 2006	CHECKED BY: TGB
		ADDENDUM 1	05/08/06

TYLIN INTERNATIONAL