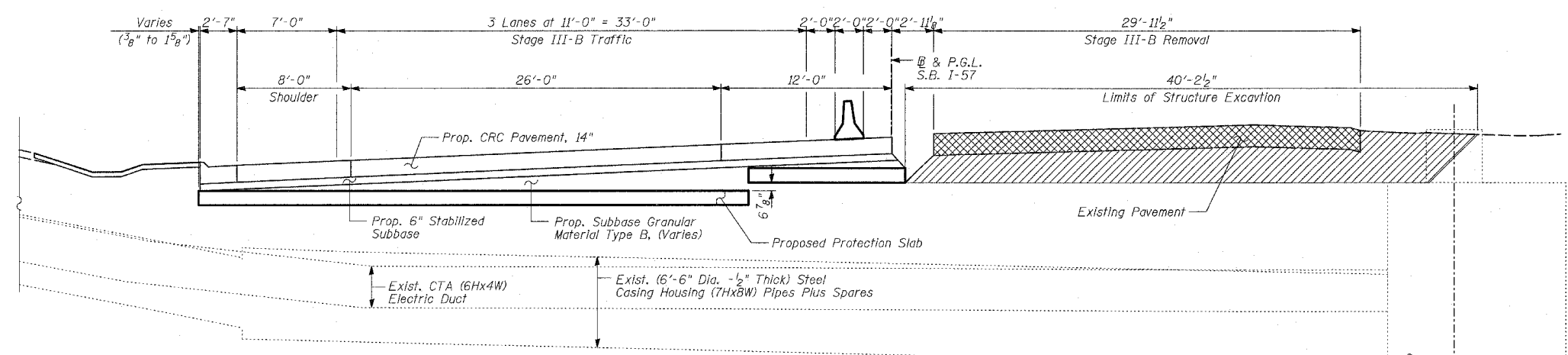
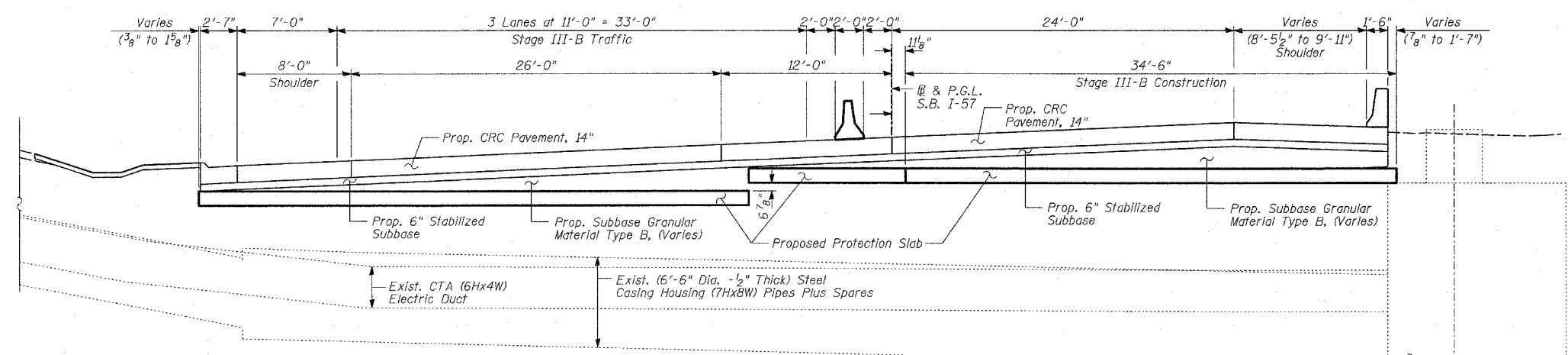


STAGE III-A CONSTRUCTION
(Looking North)



STAGE III-B REMOVAL
(Looking North)



STAGE III-B CONSTRUCTION
(Looking North)

NOTES:
1. All Measurements are Perpendicular to @ & PGL SB I-57.

LEGEND

	Pavement Removal
	Structure Excavation

REVISIONS	
NAME	DATE

ILLINOIS DEPARTMENT OF TRANSPORTATION
F.A.I. 94 (DAN RYAN EXPRESSWAY)
PROTECTION SLAB STAGE CONSTRUCTION FOR
EXISTING CTA DUCTS
 (2 OF 2)
STA. 151+81.81

S.N. DESIGNED BY: MAF, DJR
 SCALE: DRAWN BY: MAF, DJR
 DATE: MARCH 1, 2006 CHECKED BY: MI