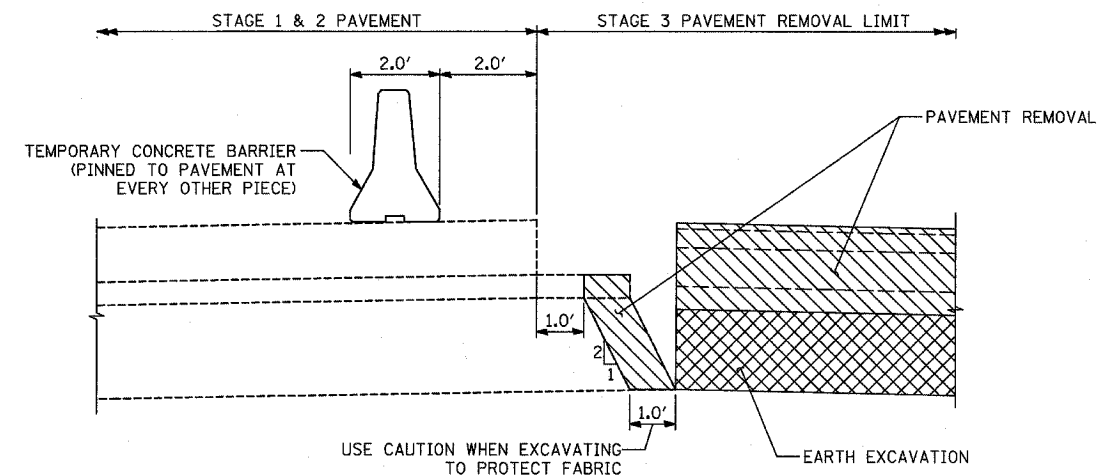
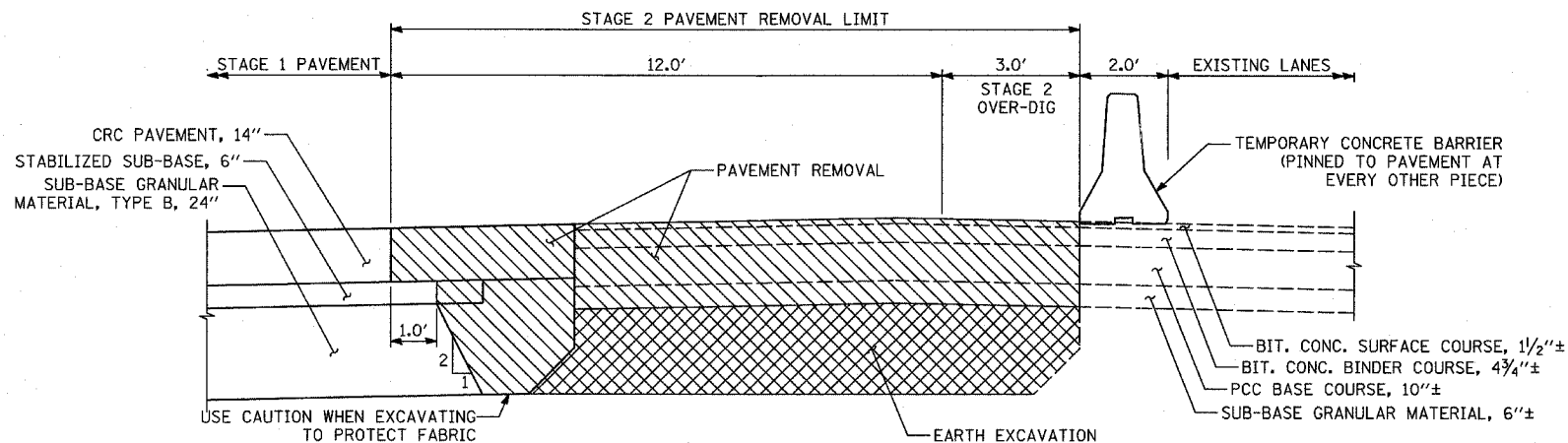


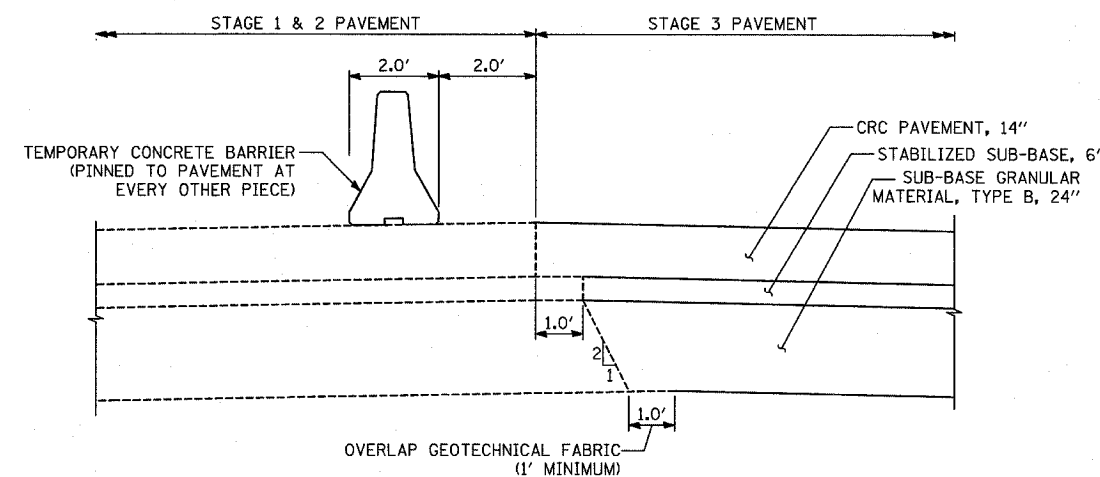
STAGE 1 PAVEMENT



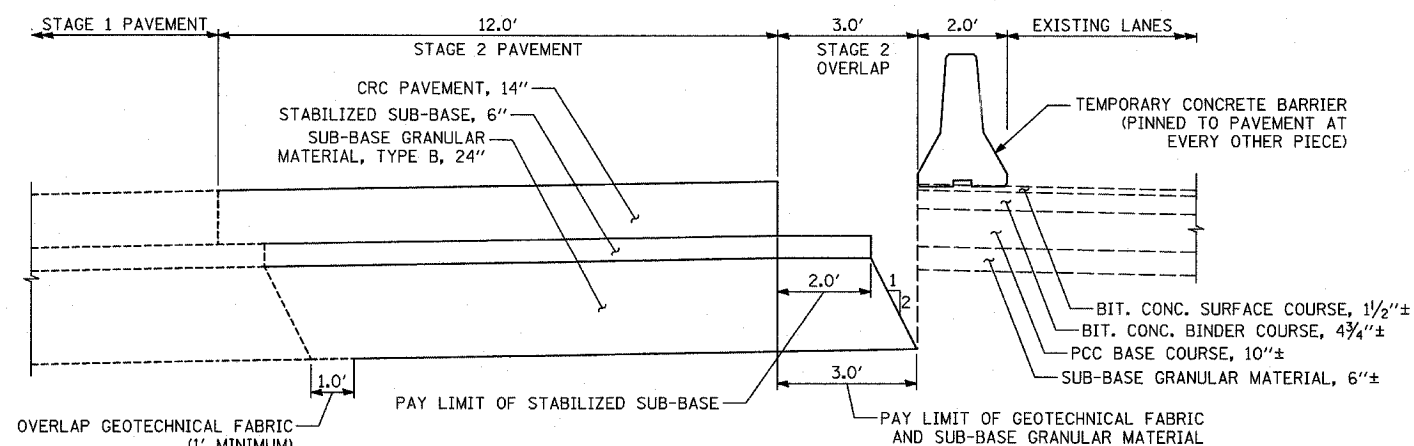
STAGE 3 REMOVAL



STAGE 2 REMOVAL & OVER-DIG



STAGE 3 PAVEMENT



STAGE 2 PAVEMENT

SEE NOTE #2

NOTES:

1. THESE SECTIONS DEPICT MAINLINE DAN RYAN. SIMILAR SITUATIONS OCCUR ALONG I-57 WITH A LESSER NUMBER OF LANES, BUT SAME CONSTRUCTION REQUIREMENTS.
2. STAGE 2A WILL REQUIRE A 3.0' WIDE STRIP OF TEMPORARY PAVEMENT BETWEEN SB I-94 STA. 1260+00 AND STA. 1270+00. ADDITIONAL THICKNESS OF CONCRETE WILL BE INCLUDED IN THE COST OF THE TEMPORARY PAVEMENT.

REVISIONS	
NAME	DATE

ILLINOIS DEPARTMENT OF TRANSPORTATION  
F.A.I. 94 (DAN RYAN EXPRESSWAY)

MISCELLANEOUS DETAILS:  
OVER-DIG AREAS

SCALE: AS SHOWN  
DATE: MARCH 1, 2006

DRAWN BY: RTM  
CHECKED BY: TGB