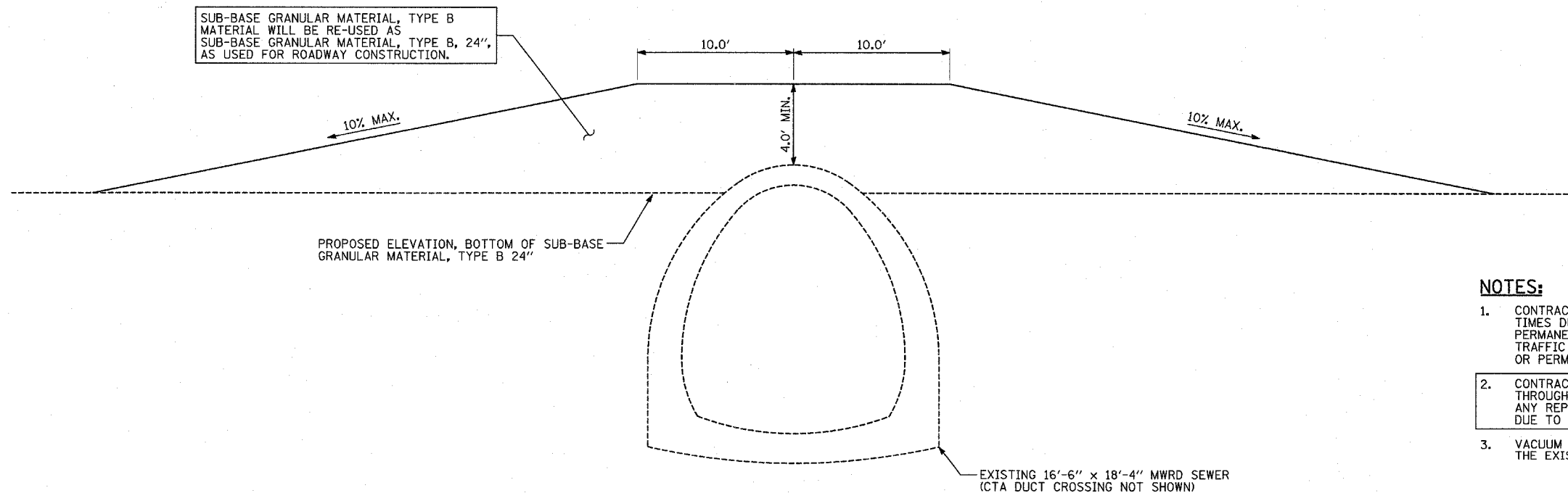


COMBINED SEWER CONSTRUCTION PROTECTION
(SEE COMBINED SEWER CROSSING STATIONS)

COMBINED SEWER CROSSING STATIONS:

1. SB I-57 STA. 90+32.99 (60")
2. SB I-57 STA. 130+21.70/
WB I-94 TO I-57 CONN. STA. 342+09.91 (5'-8" x 3'-7" BOX)
3. SB I-57 STA. 143+31.38 (7'-6" x 6'-0" DOUBLE BOX)
4. SB I-94 STA. 1245+59.70 (48")
5. SB I-94 STA. 1265+92.81 (DOUBLE 48")
6. SB I-94 STA. 1279+30.52 (TRIPLE 48")
7. SB I-94 STA. 1325+70.55 (10'-0" x 8'-0" BOX)
8. SB I-94 STA. 1345+70.10 (60")



16'-6" X 18'-4" MWRD SEWER - SB I-94 STA. 1358+93.46
CTA DUCT - SB I-94 STA. 1314+13.59
CTA DUCT - SB I-57 STA. 151+94.38
CONSTRUCTION PROTECTION

NOTES:

1. CONTRACTOR WILL PROVIDE A MINIMUM COVER, AS SHOWN ABOVE AT ALL TIMES DURING CONSTRUCTION AND PRIOR TO THE INSTALLATION OF THE PERMANENT PROTECTION SLAB AND/OR ROADWAY. CONSTRUCTION TRAFFIC SHALL NOT CROSS THE UTILITIES WITHOUT TEMPORARY COVER OR PERMANENT SLAB IN PLACE.
2. CONTRACTOR IS RESPONSIBLE FOR THE INTEGRITY OF SEWER PIPE THROUGH THE DURATION OF THE PROJECT, AND WILL NOT BE PAID FOR ANY REPAIRS REQUIRED, AS DETERMINED BY THE ENGINEER, TO THE PIPE, DUE TO CONSTRUCTION ACTIVITIES.
3. VACUUM EXCAVATION OR HAND DIGGING MUST BE USED WITHIN 2'-0" OF THE EXISTING 16'-6" x 18'-4" MWRD SEWER AND CTA DUCTS ONLY.

REVISIONS	
NAME	DATE