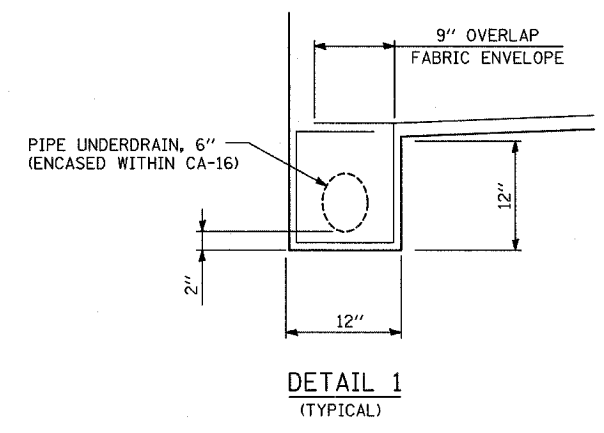
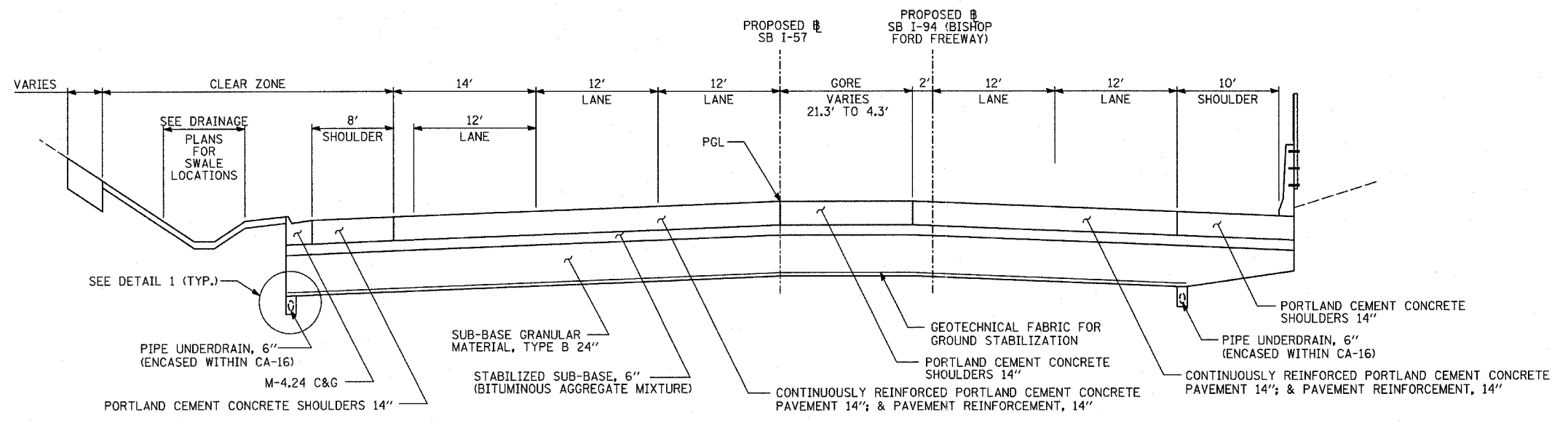


NOTES:

- (1) GEOTECHNICAL FABRIC FOR GROUND STABILIZATION SHALL BE PLACED THE ENTIRE WIDTH FROM INSIDE EDGE OF PIPE UNDERDRAIN TRENCH TO INSIDE EDGE OF PIPE UNDERDRAIN TRENCH, AND SUB-BASE GRANULAR MATERIAL TYPE B-24" SHALL BE PLACED THE ENTIRE WIDTH FROM BACK-OF-CURB TO BACK-OF-CURB PRIOR TO UNDERDRAIN INSTALLATION. REPLACEMENT OF THE SACRIFICIAL SUB-BASE GRANULAR MATERIAL TYPE B-24" ABOVE THE NEWLY PLACED PIPE UNDERDRAIN TRENCHES SHALL BE INCLUDED IN THE UNIT PRICE OF THE PIPE UNDERDRAIN, 6".
- (2) RIGHT SHOULDER IN DIRECTION OF TRAFFIC
- (3) LEFT SHOULDER IN DIRECTION OF TRAFFIC
- (4) FABRIC ENVELOPE AND CA-16 ARE INCLUDED IN THE UNIT COST FOR PIPE UNDERDRAINS

PROPOSED SB I-57 & WB CONNECTOR PAVEMENT
EAST OF WENTWORTH AVENUE



PROPOSED SB I-57 & SB I-94 MAINLINE PAVEMENT
NORTH OF SB I-94/I-57 SPLIT

NOTES:

- (1) GEOTECHNICAL FABRIC FOR GROUND STABILIZATION SHALL BE PLACED THE ENTIRE WIDTH FROM INSIDE EDGE OF PIPE UNDERDRAIN TRENCH TO INSIDE EDGE OF PIPE UNDERDRAIN TRENCH, AND SUB-BASE GRANULAR MATERIAL TYPE B-24" SHALL BE PLACED THE ENTIRE WIDTH FROM BACK-OF-CURB TO BACK-OF-CURB PRIOR TO UNDERDRAIN INSTALLATION. REPLACEMENT OF THE SACRIFICIAL SUB-BASE GRANULAR MATERIAL TYPE B-24" ABOVE THE NEWLY PLACED PIPE UNDERDRAIN TRENCHES SHALL BE INCLUDED IN THE UNIT PRICE OF THE PIPE UNDERDRAIN, 6".
- (2) RIGHT SHOULDER IN DIRECTION OF TRAFFIC
- (3) LEFT SHOULDER IN DIRECTION OF TRAFFIC
- (4) FABRIC ENVELOPE AND CA-16 ARE INCLUDED IN THE UNIT COST FOR PIPE UNDERDRAINS

TYLIN INTERNATIONAL

REVISIONS	
NAME	DATE

ILLINOIS DEPARTMENT OF TRANSPORTATION
F.A.I. 94 (DAN RYAN EXPRESSWAY)

PIPE UNDERDRAINS ALONG I-57 AND I-94 DETAILS
SHEET 1 OF 2

SCALE: NONE DRAWN BY: BK
DATE: MARCH 1, 2006 CHECKED BY: DA