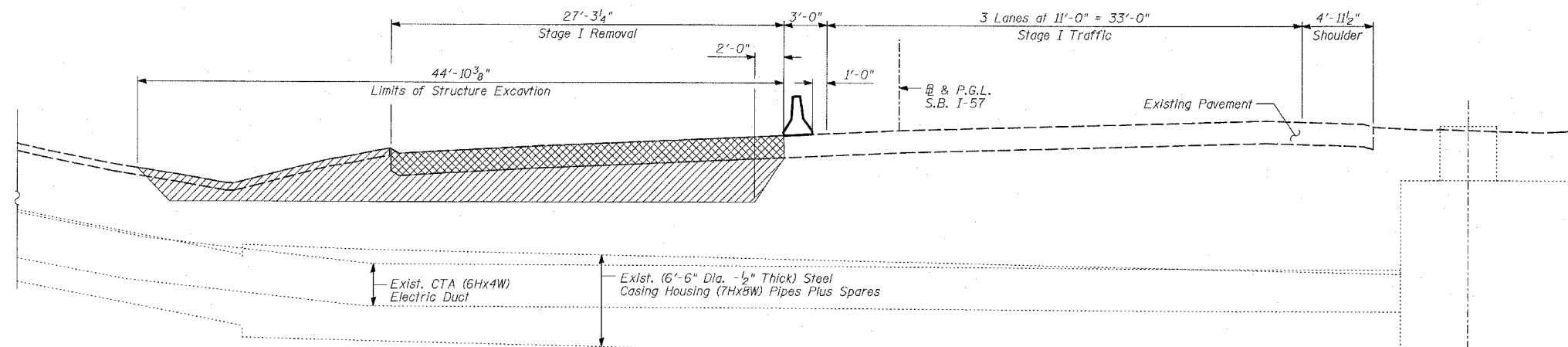
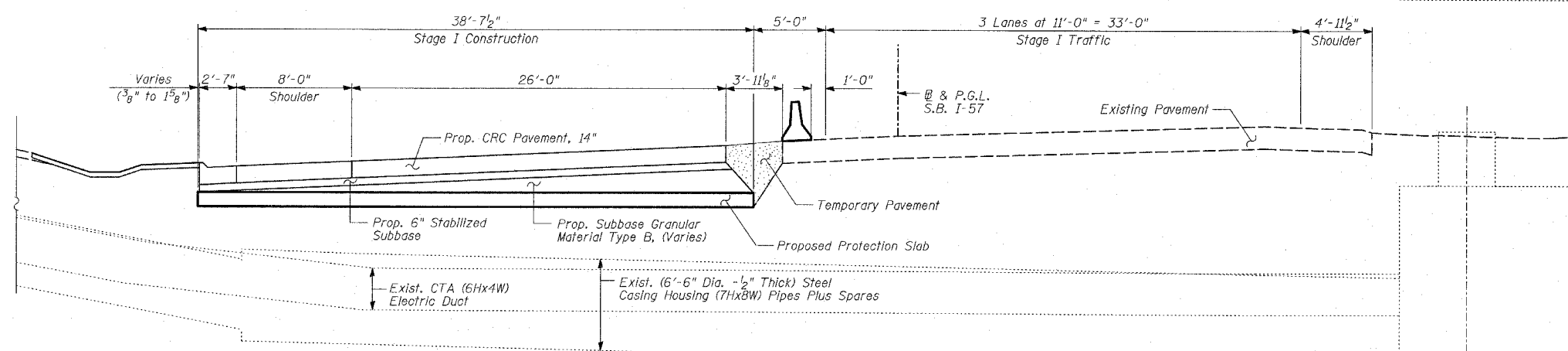


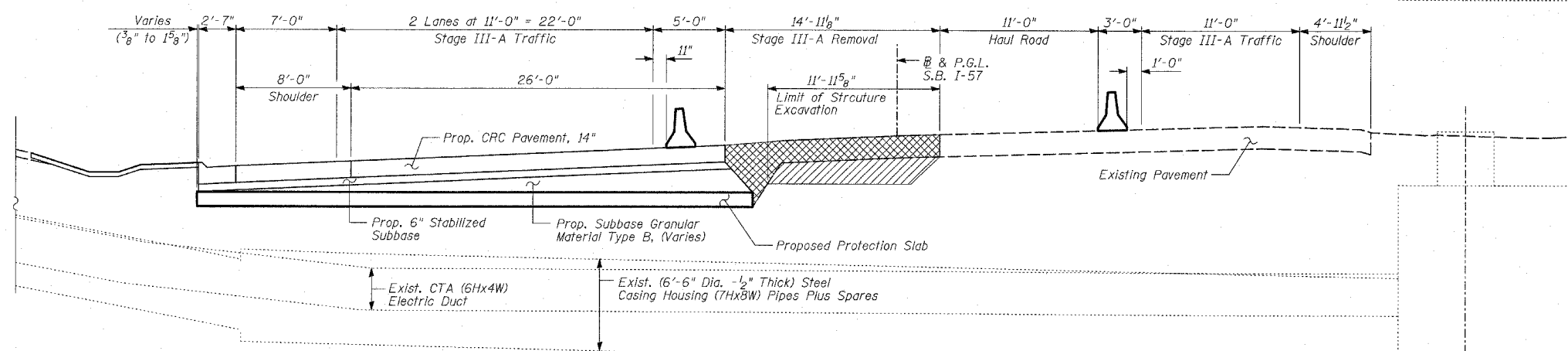
F.A.I. RTE.	SECTION	COUNTY	TOTAL SHEETS	SHEET NO.
94		COOK	764	520
STA. 1126+91 (SB FORD)		TO STA. 1313+00 (SB RYAN)		
FED. ROAD DIST. NO.		ILLINOIS FED. AID PROJECT		
(1516.1, 1717, & 1818) R-5		62593		



**STAGE I REMOVAL**  
(Looking North)



**STAGE I CONSTRUCTION**  
(Looking North)



**STAGE III-A REMOVAL**  
(Looking North)

**NOTES:**  
1. All Measurements are Perpendicular to @ & PGL SB I-57.

**LEGEND**

	Pavement Removal
	Structure Excavation
	Temporary Pavement

REVISIONS	
NAME	DATE

ILLINOIS DEPARTMENT OF TRANSPORTATION  
**F.A.I. 94 (DAN RYAN EXPRESSWAY)**  
**PROTECTION SLAB STAGE CONSTRUCTION FOR**  
**EXISTING CTA DUCTS**  
 ( 1 OF 2 )  
**STA. 151+81.81**  
 S.N. DESIGNED BY: MAF, DJR  
 SCALE: DRAWN BY: MAF, DJR  
 DATE: MARCH 1, 2006 CHECKED BY: MI