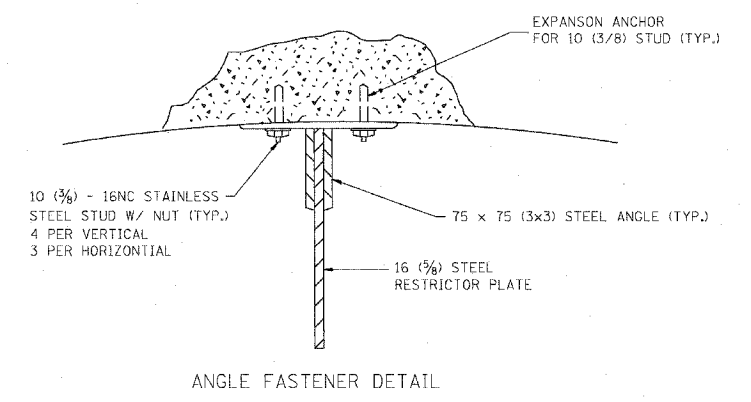
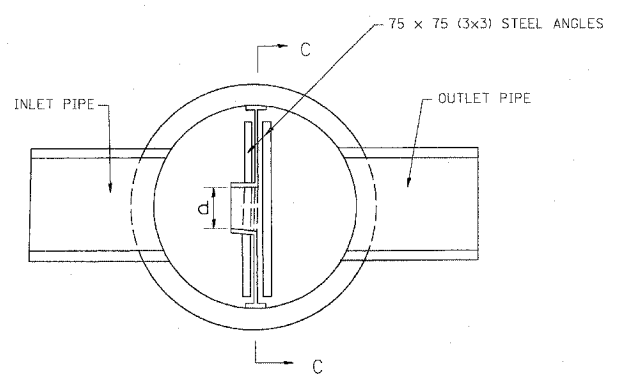
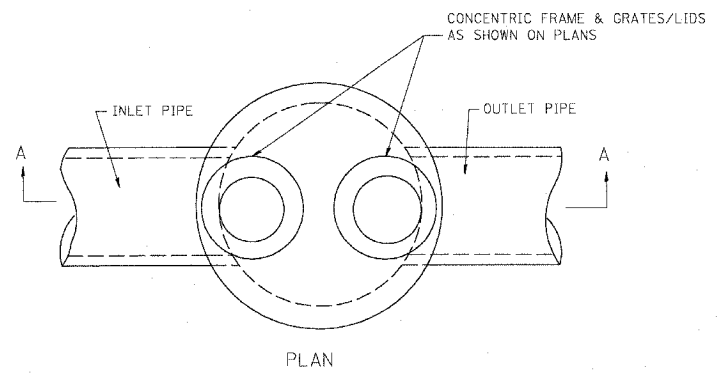
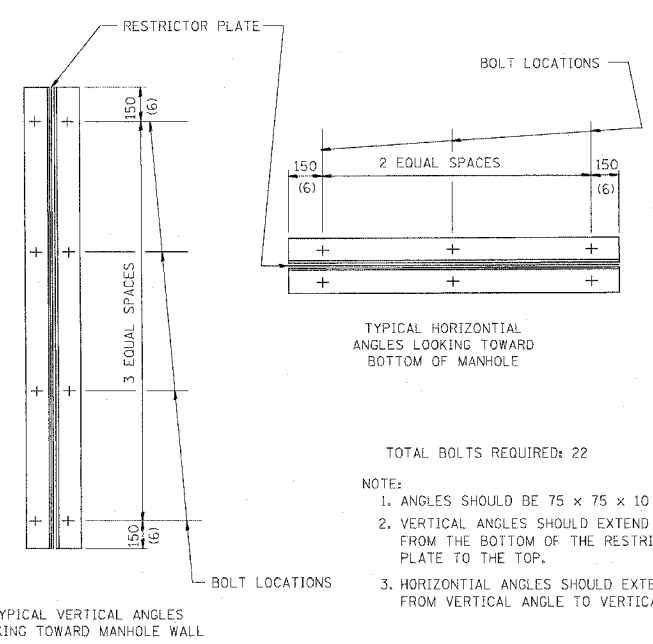
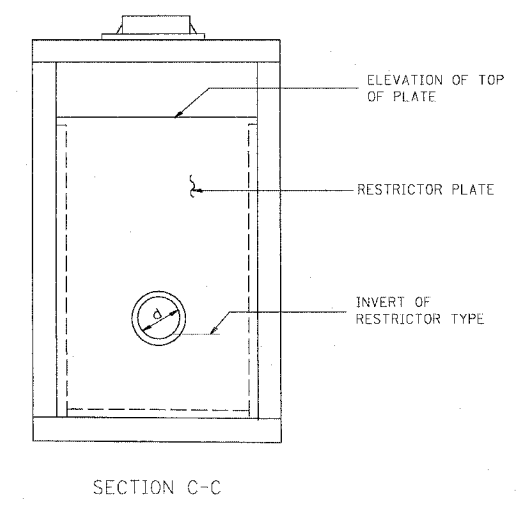
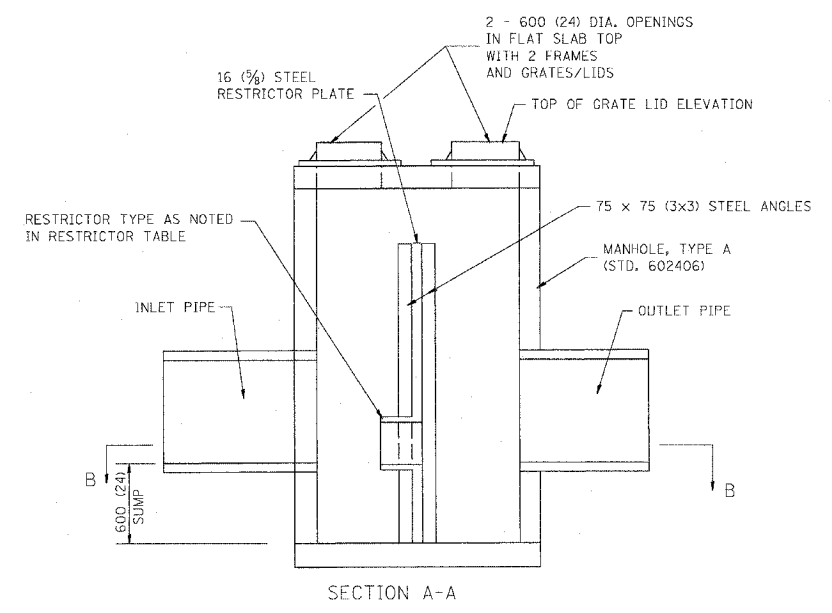
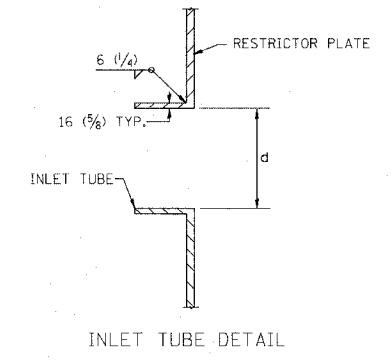


62593



- NOTES:
- ALL STEEL ANGLES AND PLATES TO BE GALVANIZED AFTER FABRICATION.
 - ALL RESTRICTOR PLATES, ANGLES AND HARDWARE TO BE INCLUDED IN THE COST OF THE MANHOLE.
 - BASIS OF PAYMENT: "MANHOLES, TYPE A, 1.8m (6FT.) DIAMETER, TYPE 1 FRAME, CLOSED LID, RESTRICTOR PLATE" EACH



- TOTAL BOLTS REQUIRED: 22
- NOTE:
- ANGLES SHOULD BE 75 x 75 x 10 (3x3x3/8)
 - VERTICAL ANGLES SHOULD EXTEND FROM THE BOTTOM OF THE RESTRICTOR PLATE TO THE TOP.
 - HORIZONTAL ANGLES SHOULD EXTEND FROM VERTICAL ANGLE TO VERTICAL ANGLE.

| RESTRICTOR TYPE | | | | | |
|-----------------------|-------------|---------------------|--------------------|--------------------|---------|
| 1 | 2 | 3 | 4 | 5 | 6 |
| RE-ENTRANT TUBE | SHARP EDGED | SQUARE EDGED | RE-ENTRANT TUBE | SQUARE EDGED | ROUNDED |
| | | | | | |
| LENGTH: 1/2 TO 1 DIA. | | STREAM CLEARS SIDES | LENGTH: 2-1/2 DIA. | LENGTH: 2-1/2 DIA. | |
| C=.52 | C=.61 | C=.61 | C=.73 | C=.82 | C=.98 |

VALUES OF "C" FOR CIRCULAR AND SQUARE ORIFICES

ALL DIMENSIONS ARE IN MILLIMETERS (INCHES) UNLESS OTHERWISE SHOWN.

| STATION | MANHOLE DIAMETER | FRAME AND GRATE | RESTRICTOR TYPE | INSIDE RESTRICTOR TYPE DIAMETER mm (in.) (d) | INVERT OF RESTRICTOR TYPE | ELEVATION OF TOP OF PLATE OVERFLOW |
|-----------------|------------------|-----------------|-----------------|--|---------------------------|------------------------------------|
| 598 1145+10.10 | 6' | TIF CL | 2 | 12" | -11.15 | -5.15 |
| 5912 1145+37.21 | 6' | TIF CL | 2 | 24" | -11.63 | -5.63 |
| 623 1163+28.94 | 6' | TIF CL | 2 | 15" | -11.28 | -5.28 |
| 628 1163+54.12 | 6' | TIF CL | 2 | 12" | -5.28 | 0.72 |
| 6516 418+59.70 | 6' | TIF CL | 2 | 21" | -18.02 | -12.02 |

SHEET 2 OF 2

| REVISIONS | |
|-----------|----------|
| NAME | DATE |
| R. SHAH | 09/09/94 |
| R. SHAH | 10/25/94 |
| E. GOMEZ | 08/28/00 |
| M. GOMEZ | 01/08/01 |

ILLINOIS DEPARTMENT OF TRANSPORTATION

MANHOLE WITH RESTRICTOR PLATE

SCALE: NONE

DATE 10/18/2002

DRAWN BY

CHECKED BY

BD600-04 (BD-12)

REVISION DATE: 01/08/01