

STATE OF ILLINOIS
DEPARTMENT OF TRANSPORTATION
DIVISION OF HIGHWAYS
PROPOSED
CONTRACT MAINTENANCE

FOR INDEX OF SHEETS, SEE SHEET NO. 2

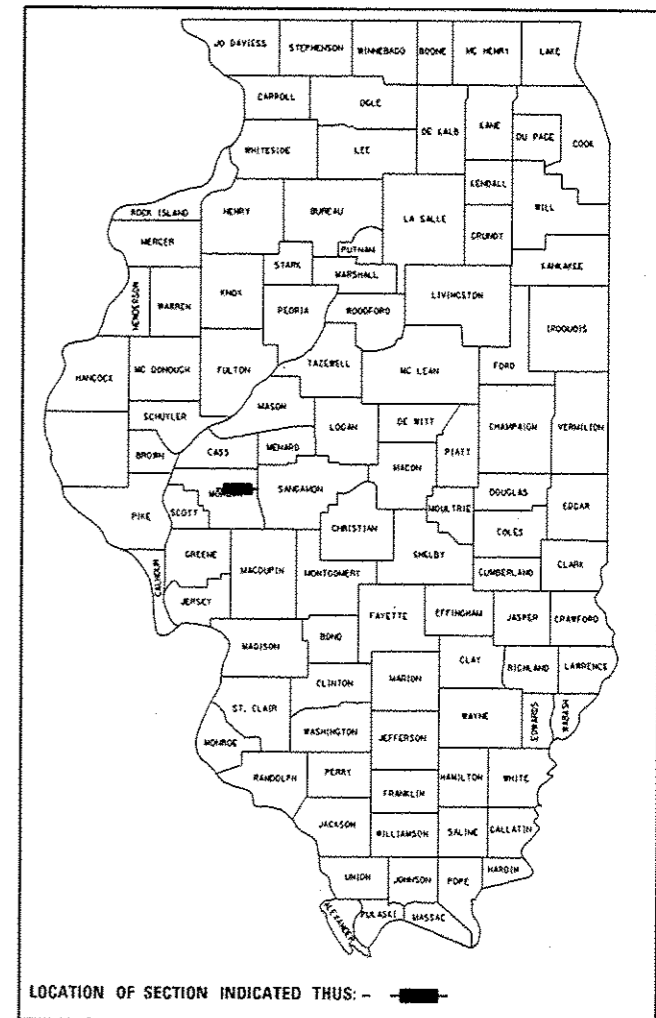
F.A.I. ROUTE 72 (I-72)
SECTION (69-9) CLV

CULVERT WINGWALL REPAIR
MORGAN COUNTY

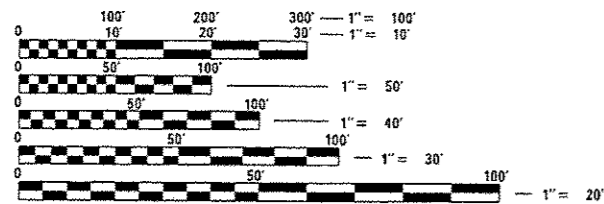
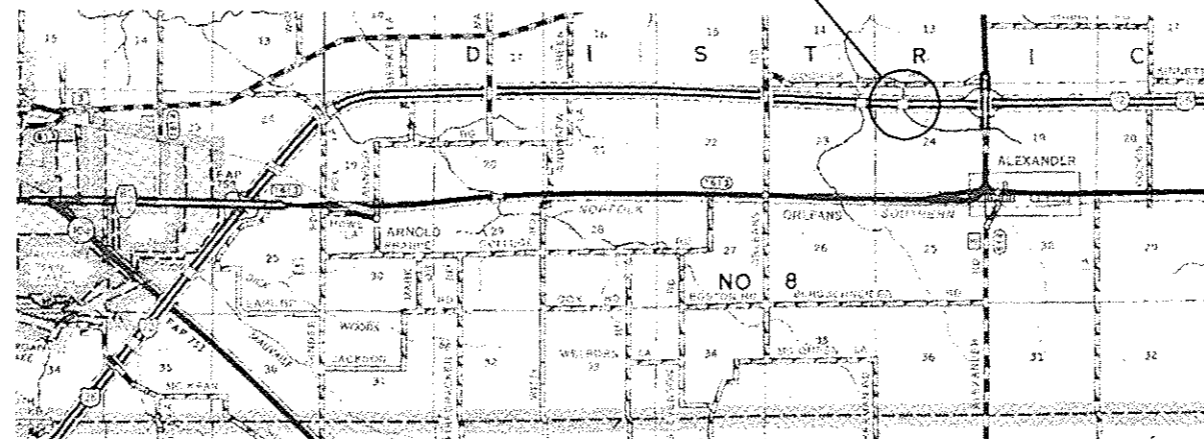
C-96-046-16

F.A.I. RTE.	SECTION	COUNTY	TOTAL SHEETS	SHEET NO.
72	(69-9) CLV	MORGAN	3	1
		ILLINOIS	CONTRACT NO. 72J09	

D-96-046-16



PROJECT LOCATION SN 069-2004
 I-72 OVER MAUWAISE TERRE CR. BRANCH
 0.7 MI WEST OF ALEXANDER INTERCHANGE
 MORGAN COUNTY



FULL SIZE PLANS HAVE BEEN PREPARED USING STANDARD ENGINEERING SCALES. REDUCED SIZED PLANS WILL NOT CONFORM TO STANDARD SCALES. IN MAKING MEASUREMENTS ON REDUCED PLANS, THE ABOVE SCALES MAY BE USED.

J.U.L.I.E.
 JOINT UTILITY LOCATION INFORMATION FOR EXCAVATION
 1-800-892-0123
 OR 811

BRIDGE MAINTENANCE ENGINEER: BRANDON DUDLEY (217) 785-9290
 BRIDGE INSPECTION ENGINEER: DAVE COPENBARGER (217) 785-5306

CONTRACT NO. 72J09

NET LENGTH = NA

STATE OF ILLINOIS
 DEPARTMENT OF TRANSPORTATION
 DIVISION OF HIGHWAYS

SUBMITTED 3/23 2016

 REGION FOUR ENGINEER

May 6 2016
 Maurice M. Adair, P.E.
 ENGINEER OF DESIGN AND ENVIRONMENT

May 6 2016
 Omar Osman, P.E.
 DIRECTOR OF HIGHWAYS, CHIEF ENGINEER

PRINTED BY THE AUTHORITY
OF THE STATE OF ILLINOIS

INDEX OF SHEETS

- 1 COVER SHEET
- 2 INDEX, STANDARDS, GENERAL NOTES, & SUMMARY OF QUANTITIES
- 3 CULVERT PLANS SN 069-2004

HIGHWAY STANDARDS

- 001001-02
- 001006
- 701101-05
- 701106-02
- 701901-05

CONT. MAINT.

0-01622-6016

100% STATE

BRIDGE

0014

MORGAN

CODE NO.	ITEM	UNIT	TOTAL QUANTITY	
50102400	CONCRETE REMOVAL	CU YD	10.2	10.2
50300225	CONCRETE STRUCTURES	CU YD	10.2	10.2
50800205	REINFORCEMENT BARS, EPOXY COATED	POUND	1120	1120
67100100	MOBILIZATION	L SUM	1	1
70100350	TRAFFIC CONTROL AND PROTECTION, STANDARD 701101	EACH	1	1

GENERAL NOTES:

1. ALL EXCAVATION NECESSARY WITH THIS PROJECT SHALL BE CONSIDERED INCIDENTAL TO THE CONCRETE STRUCTURES PAY ITEM AND SHALL NOT BE MEASURED FOR PAYMENT SEPARATELY.
2. BACKFILLING OF THE PROPOSED WINGWALL SHALL BE ACCOMPLISHED USING EXCAVATED MATERIAL AND SHALL MATCH THE SLOPE TO THE EXISTING GRADE. UPON COMPLETION OF BACKFILLING OPERATIONS, ALL DISTURBED AREAS SHALL BE SEEDED PER SECTION 250 OF THE STANDARD SPECIFICATIONS. CLASS 2 SEED MIX SHALL BE USED. ALL WORK AND MATERIALS ASSOCIATED WITH THIS NOTE SHALL BE CONSIDERED INCIDENTAL TO THE CONCRETE STRUCTURES PAY ITEM AND SHALL NOT BE MEASURED FOR PAYMENT SEPARATELY.

**STATE OF ILLINOIS
DEPARTMENT OF TRANSPORTATION
DIVISION OF HIGHWAYS
DISTRICT 6**

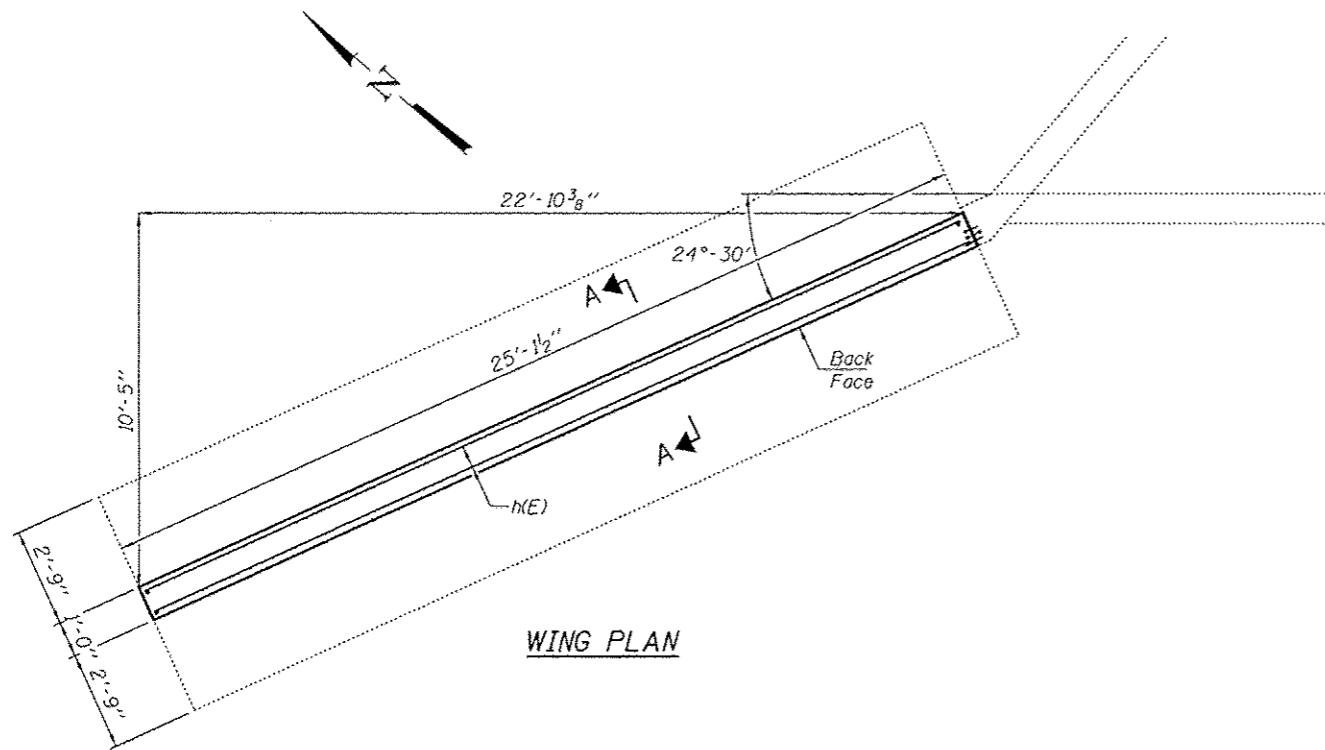
EXAMINED March 17th 20 16
John C. Wenzel
 ENGINEER OF OPERATIONS

EXAMINED MARCH 17 20 16
Ra. Arambula
 ENGINEER OF PROJECT IMPLEMENTATION

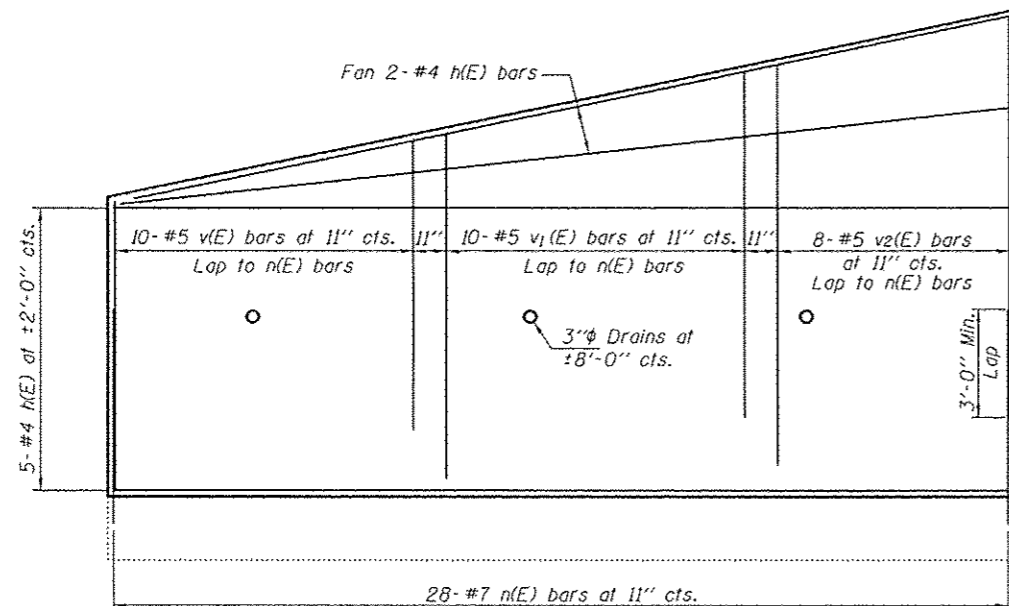
EXAMINED March 15 20 16
Jack P. Meyer
 ENGINEER OF PROGRAM DEVELOPMENT



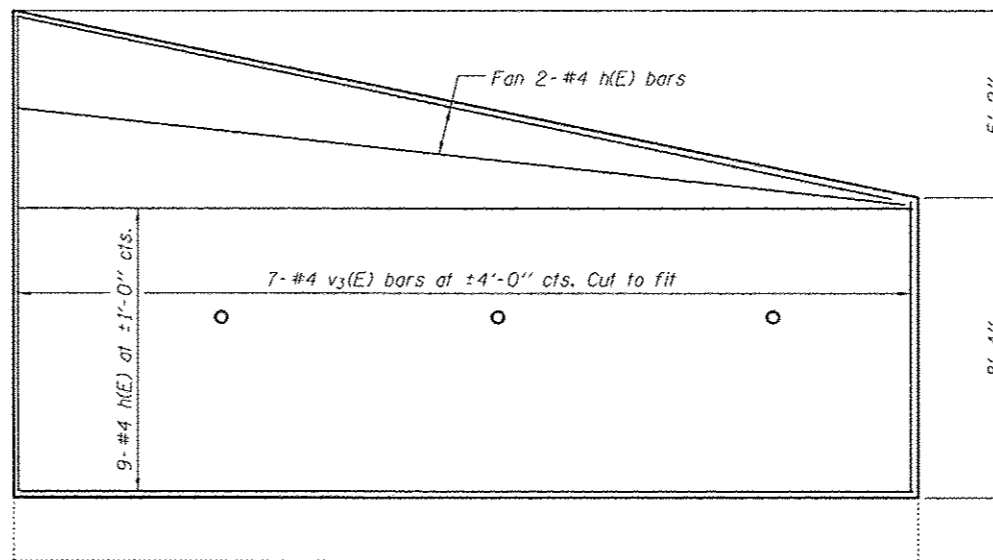
EXISTING CONDITIONS - SN 069-2004



WING PLAN

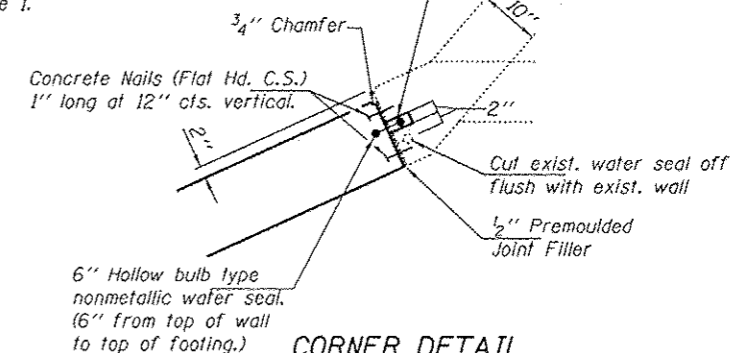


REINFORCEMENT
BACK FACE



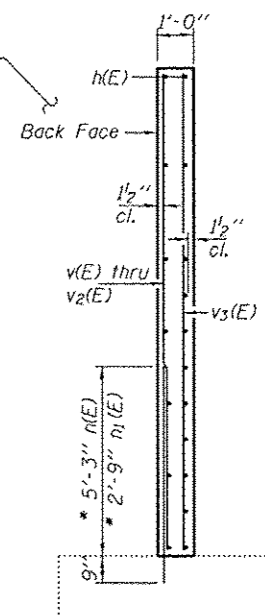
REINFORCEMENT
FRONT FACE

Epoxy new water seal into 2" wide sawcut groove. Epoxy to meet the requirements of ASTM C881, Type III, Grade 3. Prime groove with an epoxy meeting ASTM C881, Type III, Grade 1.



CORNER DETAIL
Cost of water seal included with Concrete Structures.

For excavation, see Special Provisions.



SECTION A-A

* Epoxy grout n(E) & n1(E) bars in 9" min. holes according to Article 584 of the Standard Specifications.

BILL OF MATERIAL

Bar	No.	Size	Length	Shape
h(E)	18	#4	24'-9"	
n(E)	28	#7	6'-0"	
n1(E)	27	#6	3'-6"	
v(E)	10	#5	8'-0"	
v1(E)	10	#5	9'-7"	
v2(E)	8	#5	11'-1"	
v3(E)	7	#4	13'-2"	
Concrete Removal			Cu. Yd.	10.2
Concrete Structures			Cu. Yd.	10.2
Reinforcement Bars, Epoxy Coated			Pound	1120

Existing NW wingwall to be removed and rebuilt. Removal to be paid for as Concrete Removal.

NOTES

Plan dimensions and details relative to existing plans are subject to nominal construction variations. The Contractor shall field verify existing dimensions and details affecting new construction and make necessary approved adjustments prior to construction or ordering of materials. Such variations shall not be cause for additional compensation for a change in scope of the work, however, the Contractor will be paid for the quantity actually furnished at the unit price bid for the work.

Reinforcement bars designated (E) shall be epoxy coated.



EXPIRES 11-30-2016

DESIGNED: [Signature]
CHECKED: [Signature]
DRAWN: baliva
CHECKED: [Signature]

PASSED: [Signature]
ACTING ENGINEER OF BRIDGES AND STRUCTURES

DATE: MARCH 4, 2016
REVISED: [Blank]
REVISED: [Blank]

STATE OF ILLINOIS
DEPARTMENT OF TRANSPORTATION

PLAN
SN 069-2004

SHEET NO. 1 OF 1 SHEETS

F.A.I. RTE.	SECTION	COUNTY	TOTAL SHEETS	SHEET NO.
72	(69-9) CLV	MORGAN	3	3
CONTRACT NO. 72#09				
ILLINOIS FED. AID PROJECT				