

STATE OF ILLINOIS  
DEPARTMENT OF TRANSPORTATION

F.A.I. RTE.	SECTION	COUNTY	TOTAL SHEETS	SHEET NO.
55	(75-6) DR	PIKE	5	1
		ILLINOIS	CONTRACT NO. 72J14	

FOR INDEX OF SHEETS, SEE SHEET NO. 2

# PROPOSED IMPROVEMENTS

FAI 72 (I 72)  
(75-6) DR  
DRAINAGE

PIKE CO.

C-96-051-16

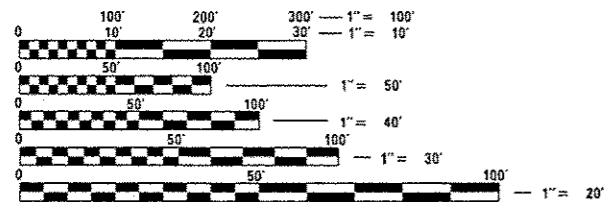
D-96-051-16



LOCATION OF PROJECT  
STA. 175+45.00

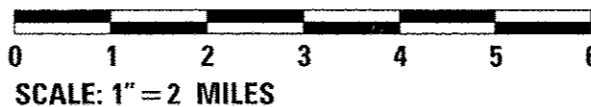
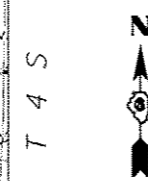
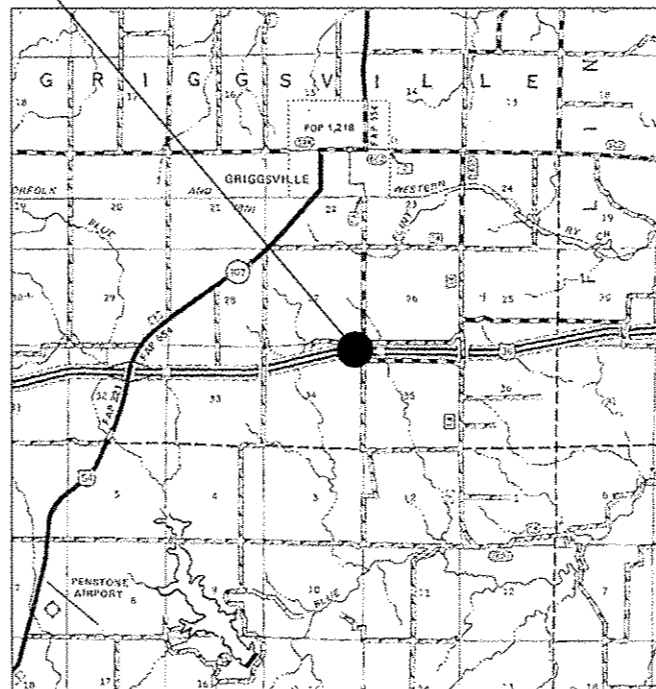
R 3 W

ADT = 4,400  
SU = 425  
MU = 1300



FULL SIZE PLANS HAVE BEEN PREPARED USING STANDARD ENGINEERING SCALES. REDUCED SIZED PLANS WILL NOT CONFORM TO STANDARD SCALES. IN MAKING MEASUREMENTS ON REDUCED PLANS, THE ABOVE SCALES MAY BE USED.

J.U.L.I.E.  
JOINT UTILITY LOCATION INFORMATION FOR EXCAVATION  
1-800-892-0123  
OR 811



PROJECT ENGINEER : MIKE IRWIN — (217)524-7765  
PROJECT MANAGER : TIM SHARP — (217)524-9160

CONTRACT NO. 72J14

STATE OF ILLINOIS  
DEPARTMENT OF TRANSPORTATION

SUBMITTED *April 7 2016*  
*Jeffrey...*  
REGION FOUR ENGINEER

*May 6 2016*  
*Maxine M. A. O. B. P.E. B.L.*  
ENGINEER OF DESIGN AND ENVIRONMENT

*May 6 2016*  
*Omer Osman P.E. B.L.*  
DIRECTOR OF HIGHWAYS, CHIEF ENGINEER

PRINTED BY THE AUTHORITY  
OF THE STATE OF ILLINOIS

INDEX OF SHEETS

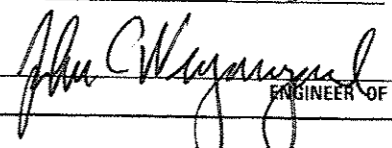

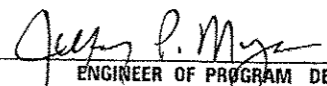
1. COVER
2. INDEX OF SHEETS, GENERAL NOTES, AND HIGHWAY STANDARDS
3. SUMMARY OF QUANTITIES
4. PLANS
5. ELEV. DETAILS

HIGHWAY STANDARDS

- 604106-01 MEDIAN INLET for 36" (900 mm) REINFORCED CONCRETE PIPE  
 701001-02 OFF-RD OPERATIONS, 2L, 2W, MORE THAN 15' (4.5 m) AWAY  
 701006-05 OFF-RD OPERATIONS, 2L, 2W, 15' (4.5 m) TO 24" (600mm) FROM PAVEMENT EDGE  
 701201-04 LANE CLOSURE, 2L, 2W, DAY ONLY FOR SPEEDS > 45 MPH  
 701400-08 APPROACH TO LANE CLOSURE, FREEWAY/EXPRESSWAY  
 701401-09 LANE CLOSURE, FREEWAY/EXPRESSWAY  
 701901-05 TRAFFIC CONTROL DEVICES

GENERAL NOTES

1. ANY REFERENCE TO THE STANDARDS THROUGHOUT THE PLANS SHALL BE INTERPRETED TO BE THE LATEST STANDARDS OF THE DEPARTMENT AS INCLUDED IN THE PLANS.

<b>STATE OF ILLINOIS                  DEPARTMENT OF TRANSPORTATION                  DIVISION OF HIGHWAYS                  DISTRICT 6</b>	
EXAMINED	March 30 <sup>th</sup> 20 16  ENGINEER OF OPERATIONS
EXAMINED	April 1 20 16  ENGINEER OF PROJECT IMPLEMENTATION
EXAMINED	April 4 20 16  ENGINEER OF PROGRAM DEVELOPMENT

0-01622-6012

100% STATE

ROADWAY  
0044  
RURAL

CODE NO.	ITEM	UNIT	TOTAL QUANTITY	
50105220	PIPE CULVERT REMOVAL	FOOT	12	12
542A1921	PIPE CULVERTS, CLASS A, TYPE 3 36"	FOOT	11	11
* 54390180	INSERTION CULVERT LINER, 24"	FOOT	13	13
60246805	MEDIAN INLET (604106)	EACH	1	1
67100100	MOBILIZATION	L SUM	1	1
70100450	TRAFFIC CONTROL AND PROTECTION, STANDARD 701201	L SUM	1	1
70100800	TRAFFIC CONTROL AND PROTECTION, STANDARD 701401	L SUM	1	1
XT010410	SPEED <i>Display</i> TRAILER	CAL MD	0.5	0.5

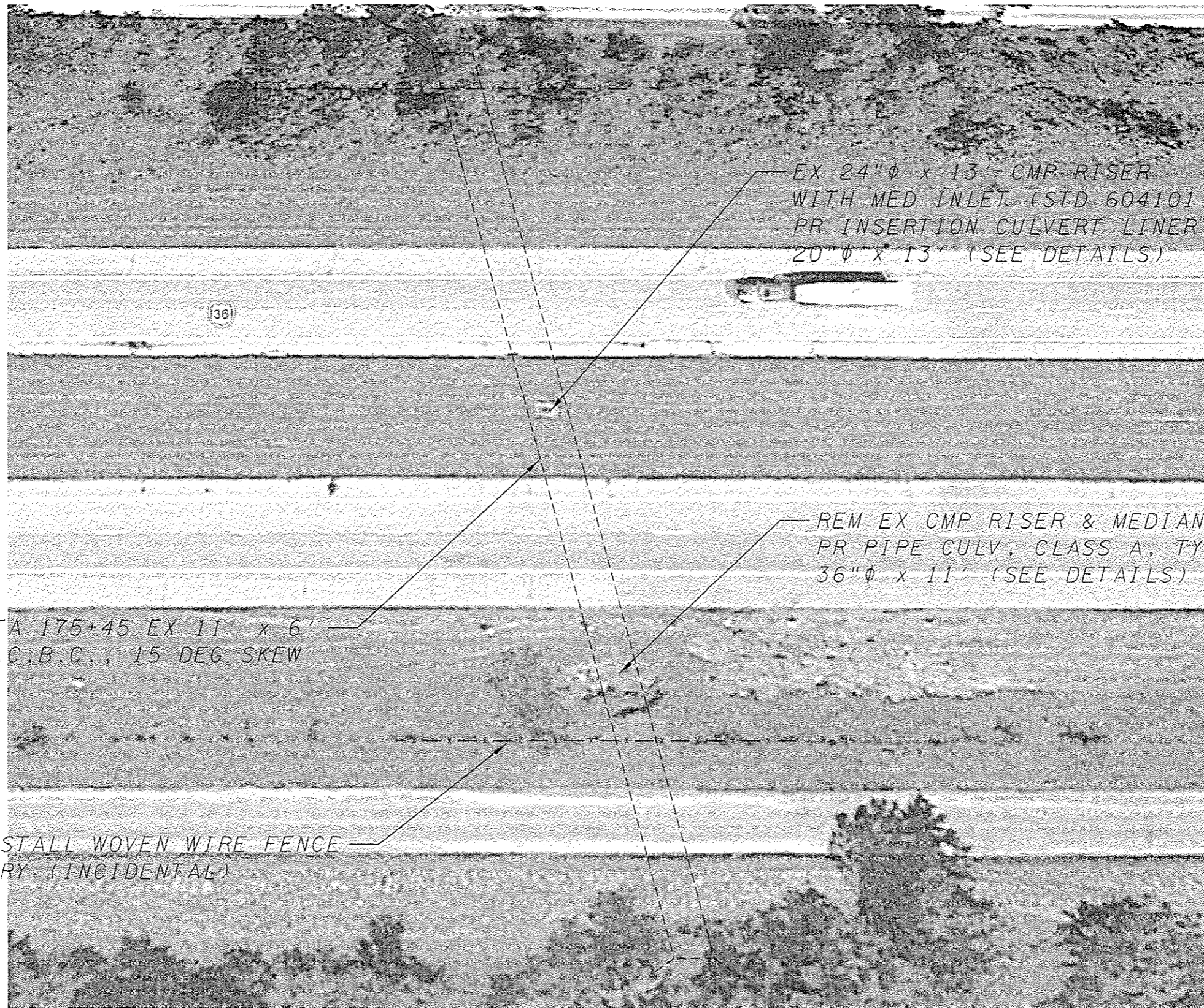
\* INSERTION CULVERT LINE SHALL BE CORRUGATED PVC W/ SMOOTH INTERIOR.

FILE NAME * S:\CONTRMAINT_CAD\72J14 - FAI 72 (172). Default	USER NAME * Shorpid S:\k - Drainage Repair\Pjora\0672J14-uh3-500	DESIGNED - DRAWN -	REVISED - REVISED -
	PLOT SCALE * 100.0000' / 1"	CHECKED - DATE -	REVISED - REVISED -
	PLOT DATE * 4/8/2016		

STATE OF ILLINOIS  
DEPARTMENT OF TRANSPORTATION

SUMMARY OF QUANTITIES			
SCALE:	SHEET	OF	SHEETS
STA.		TO STA.	

F.A.I. RTE.	SECTION	COUNTY	TOTAL SHEETS	SHEET NO.
55	(75-6) DR	PIKE	5	3
CONTRACT NO. 72J14				
ILLINOIS FED. AID PROJECT				



EX 24"  $\phi$  x 13' CMP RISER  
WITH MED INLET (STD 604101)  
PR INSERTION CULVERT LINER,  
20"  $\phi$  x 13' (SEE DETAILS)

REM EX CMP RISER & MEDIAN INLET  
PR PIPE CULV. CLASS A, TYPE 3,  
36"  $\phi$  x 11' (SEE DETAILS)

STA 175+45 EX 11' x 6'  
R.C.B.C., 15 DEG SKEW

REM & REINSTALL WOVEN WIRE FENCE  
AS NECESSARY (INCIDENTAL)



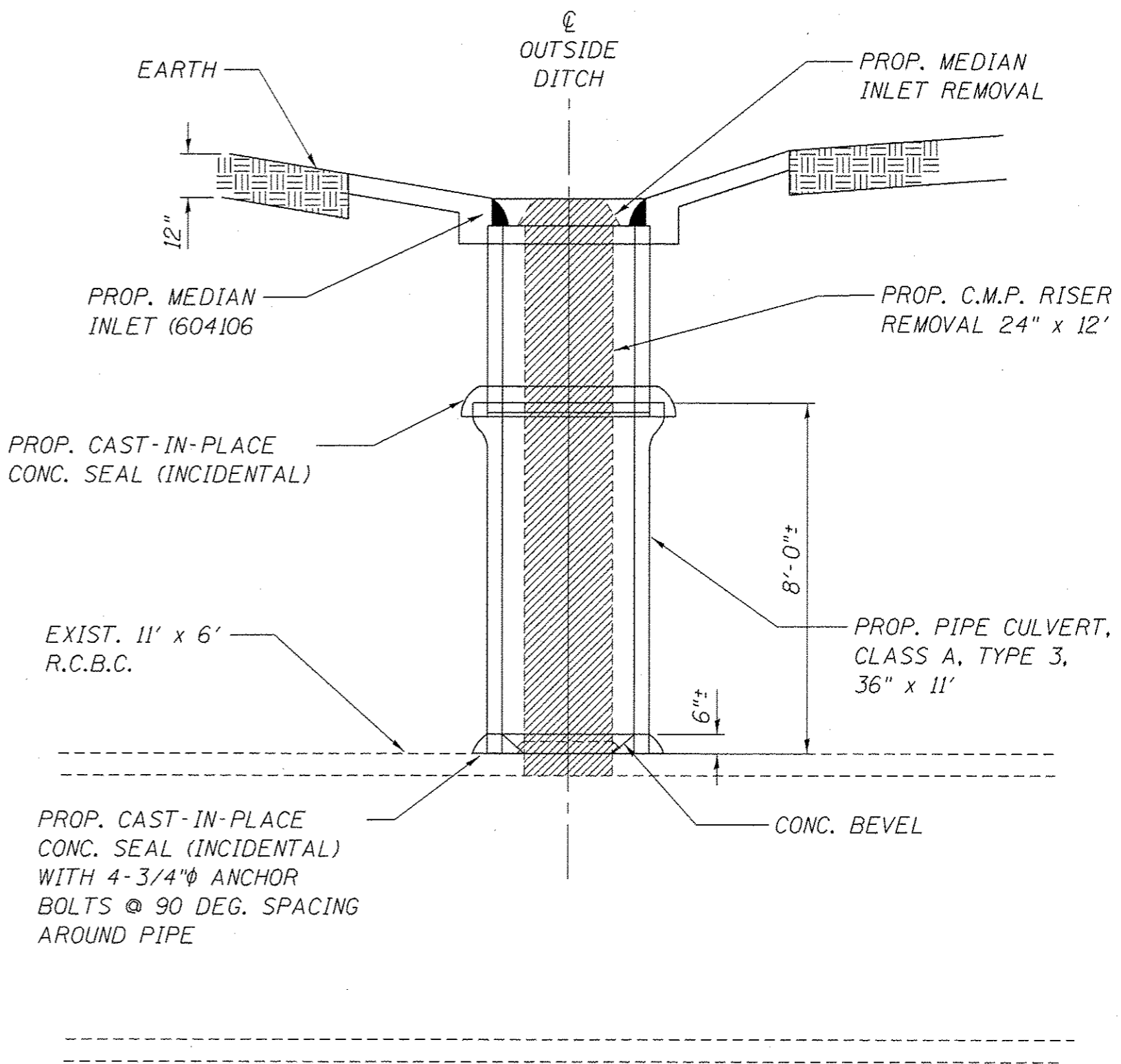
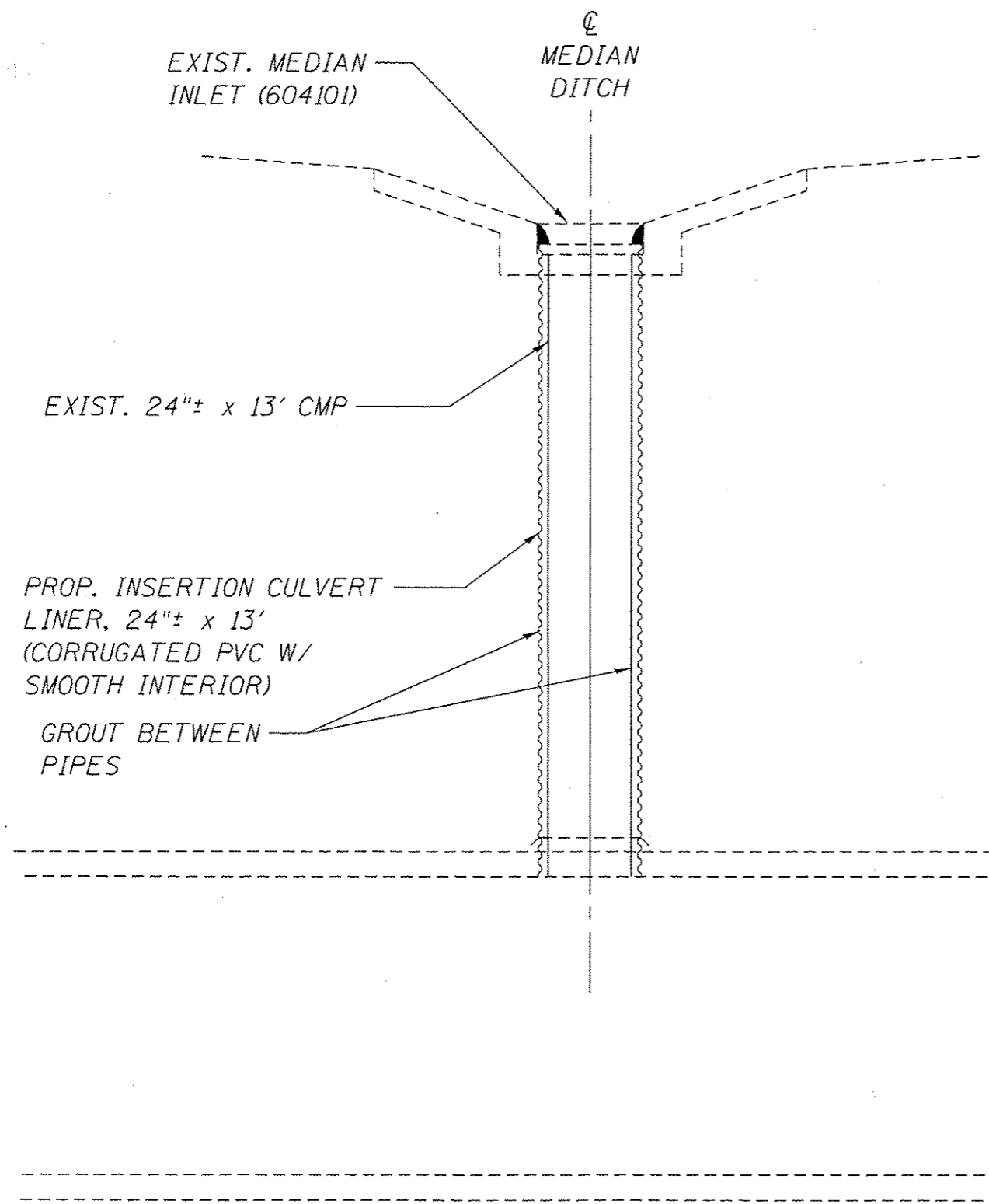
FILE NAME =	USER NAME = Sherptd	DESIGNED -	REVISED -
S:\CONTRMAINT\CAD\72J14 - FAI 72 (172) -	shp - Drainage Repair\Plans\0672J14-shd4-pla	DRAWN -	REVISED -
Default	PLOT SCALE = 40.0000' / in.	CHECKED -	REVISED -
	PLOT DATE = 4/6/2016	DATE -	REVISED -

**STATE OF ILLINOIS  
DEPARTMENT OF TRANSPORTATION**

**PLAN**

SCALE: \_\_\_\_\_ SHEET OF SHEETS STA. \_\_\_\_\_ TO STA. \_\_\_\_\_

F.A.I. RTE.	SECTION	COUNTY	TOTAL SHEETS	SHEET NO.
72	(75-6) DR	PIKE	5	4
CONTRACT NO. 72J14			ILLINOIS FED. AID PROJECT	



**NOTE:**

BACKFILL EXCAVATED AREA WITH CA-06 (INCIDENTAL)

NO EXCAVATION SHALL BE WITHIN 10' OF THE OUTSIDE EDGE OF THE EXISTING MAINLINE SHOULDER.

FILE NAME :	USER NAME : Sharptd	DESIGNED -	REVISED -
S:\CONTRMAINT\CAD\72J14 - FAI 72 (172) -	Job - Drainage Repair\Plans\0672J14-SHT5-DE	DRAWN -	REVISED -
Default	PLOT SCALE = 3.0000' / in.	CHECKED -	REVISED -
	PLOT DATE = 4/6/2016	DATE -	REVISED -

STATE OF ILLINOIS  
DEPARTMENT OF TRANSPORTATION

ELEV. DETAILS

F.A.I. RTE.	SECTION	COUNTY	TOTAL SHEETS	SHEET NO.
72	(75-6) DR	PIKE	5	5
CONTRACT NO. 72J14				
ILLINOIS FED. AID PROJECT				

SCALE: SHEET OF SHEETS STA. TO STA.