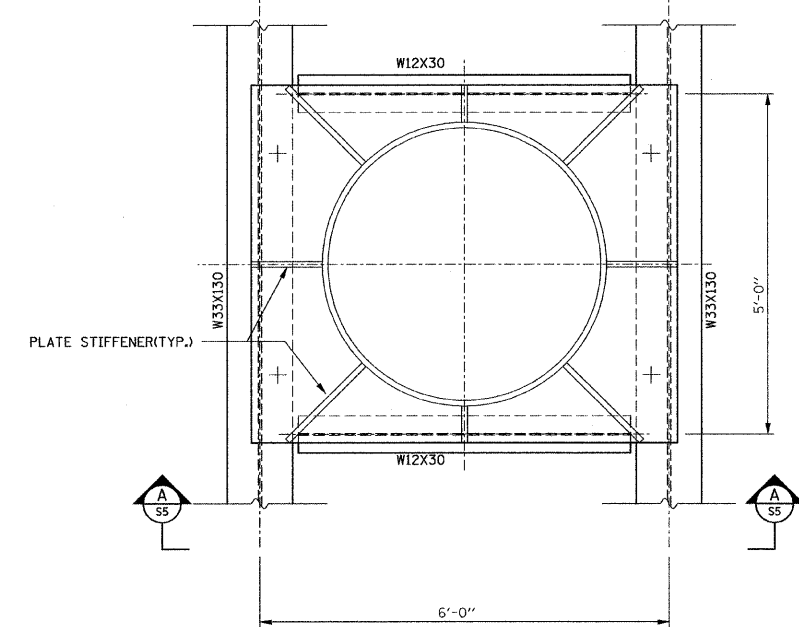


**SECTION**

A  
S5

GROUND CONCRETE AS REQ'D PER DWG. DM-1 COAT GROUND SURFACE

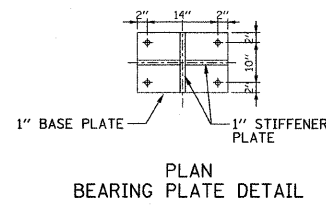


**PLAN PUMP SUPPORT DETAIL**

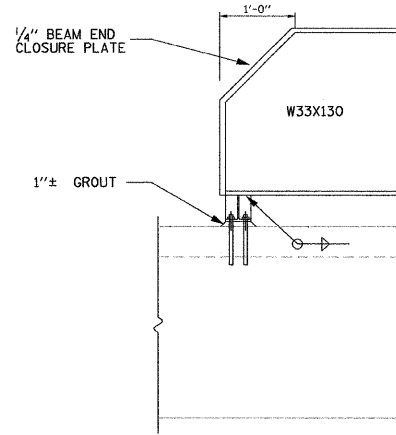
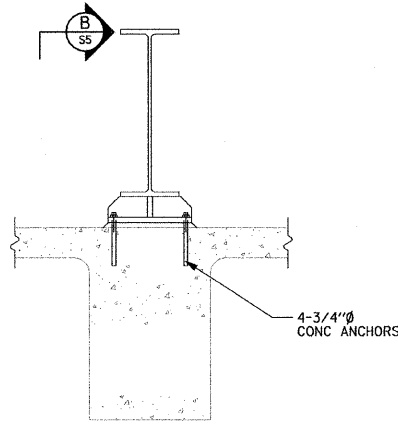
SCALE: 0 1 2 3 FT.

**PUMP PLATE DETAIL NOTES:**

1. PUMP SUPPORT BEAMS SHALL BE PAINTED WHITE. THE PUMP SUPPORT BASE SHALL BE PAINTED BLUE.
2. PUMP BASE INCLUDING PUMP PLATES, BLIND FLANGES AND STIFFENERS ABOVE PUMP SUPPORT BEAMS ARE TO BE DESIGNED AND PROVIDED BY PUMP MANUFACTURER. DETAILS SHOWN ARE FOR BID PURPOSES ONLY.
3. PROVIDE ELECTRICAL PENETRATIONS AND ATTACHMENTS AS RECOMMENDED BY PUMP MANUFACTURER.
4. PUMP SUPPORT BASE SHALL BE DESIGNED TO FIT THROUGH THE ROOF HATCH OPENING FOR PUMP INSTALLATION AND FUTURE PUMP REMOVABLE.

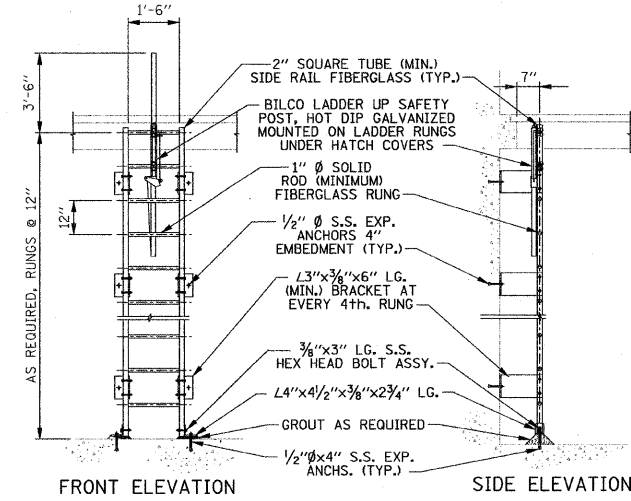


**PLAN BEARING PLATE DETAIL**

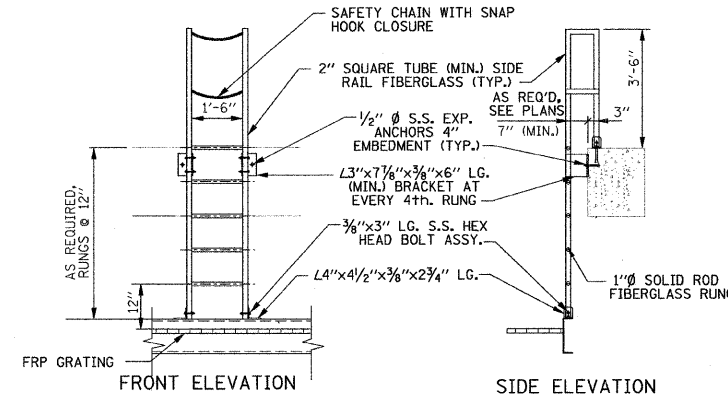


**PUMP SUPPORT BEAM ANCHOR DETAIL**

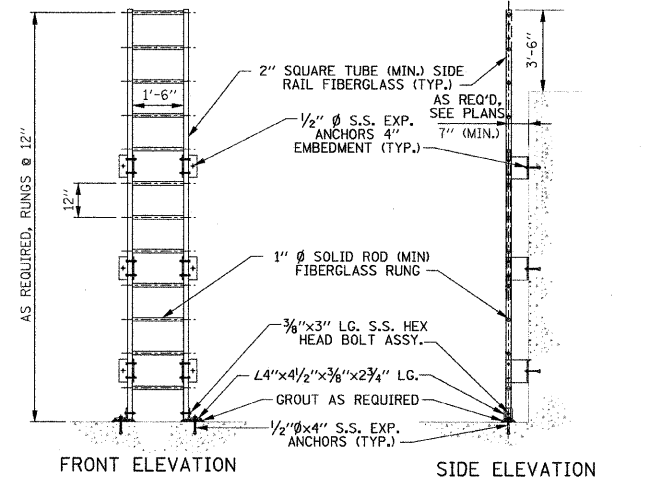
NOT TO SCALE



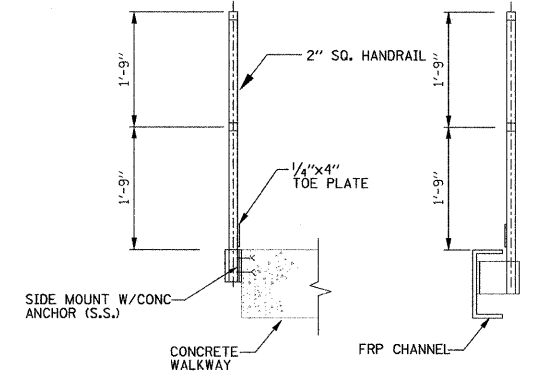
**FIBERGLASS LADDER TYPE 1 DETAIL**  
NOT TO SCALE



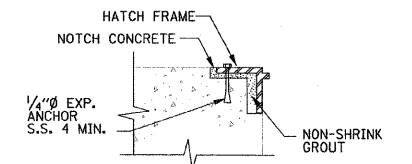
**FIBERGLASS LADDER TYPE 3 DETAIL**  
NOT TO SCALE



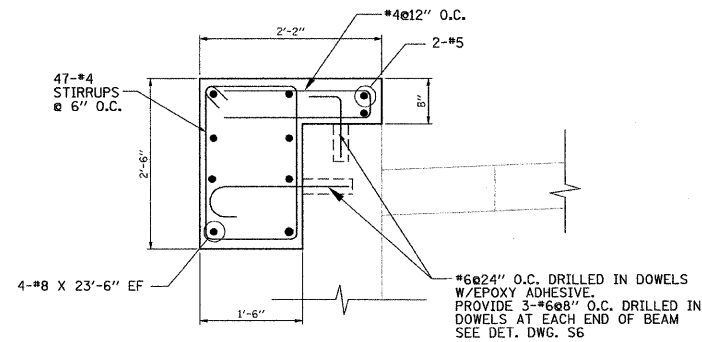
**FIBERGLASS LADDER TYPE 2 DETAIL**  
NOT TO SCALE



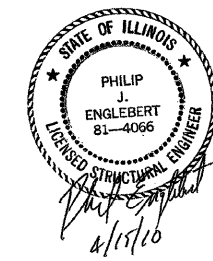
**FRP HANDRAIL DETAIL**  
NOT TO SCALE



**RETIROFIT ALUM. HATCH DETAIL**  
NOT TO SCALE



**OUTFALL CHAMBER CONCRETE BEAM DETAIL**



S5

REVISIONS	
NAME	DATE

ILLINOIS DEPARTMENT OF TRANSPORTATION  
PUMP STATION NO. 27  
REHABILITATION  
STRUCTURAL DETAILS

SCALE: AS SHOWN  
DATE: 04-23-10  
DRAWN BY: CM  
CHECKED BY: PJE

