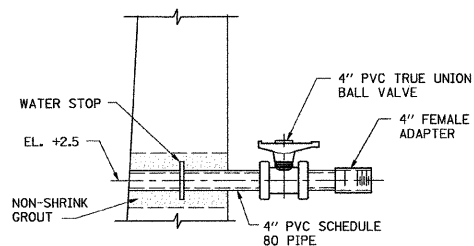
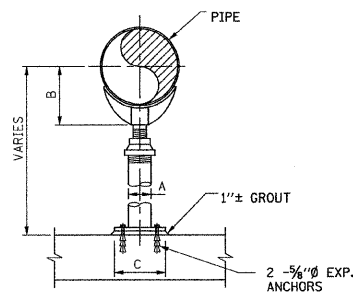


36" DIA. PIPE ECCENTRIC SUPPORT
NOT TO SCALE

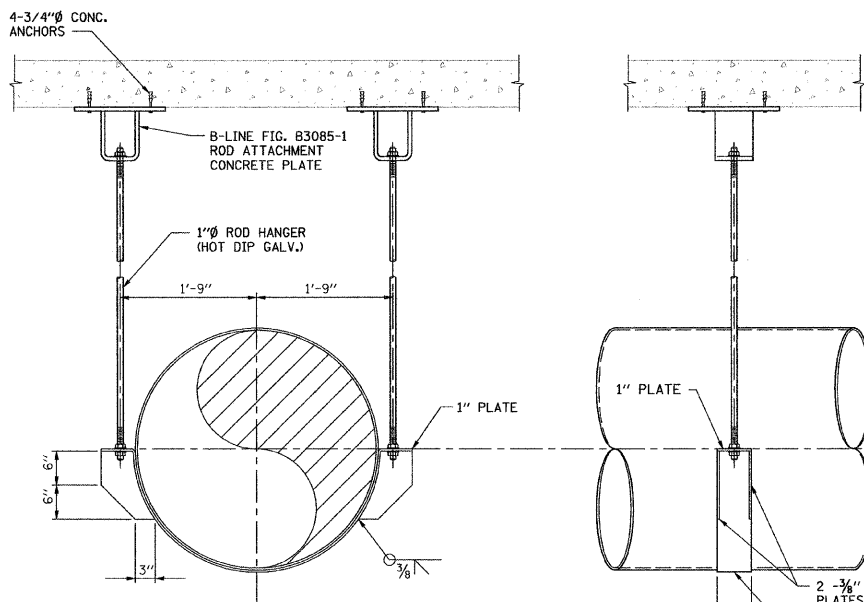


MAINTENANCE PUMP DISCHARGE PIPE DETAIL
NOT TO SCALE

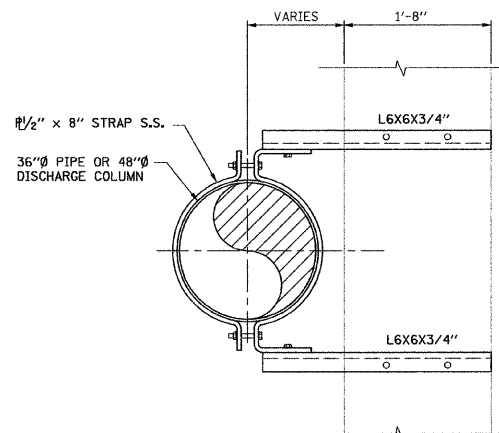


TYPICAL PIPE SUPPORT
NOT TO SCALE

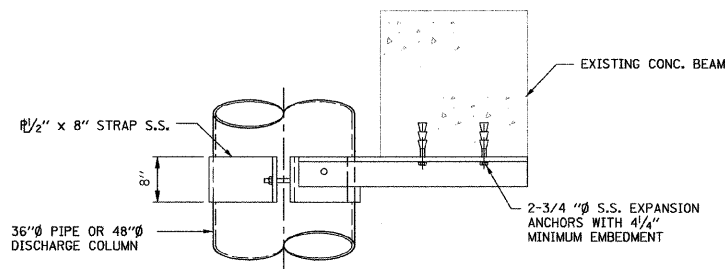
PIPE SIZE	SUPPORT DIMENSION		
	A	B	C
36"	6"	24 1/2"	13 1/2"



36" DIA. PIPE HANGER DETAIL
NOT TO SCALE

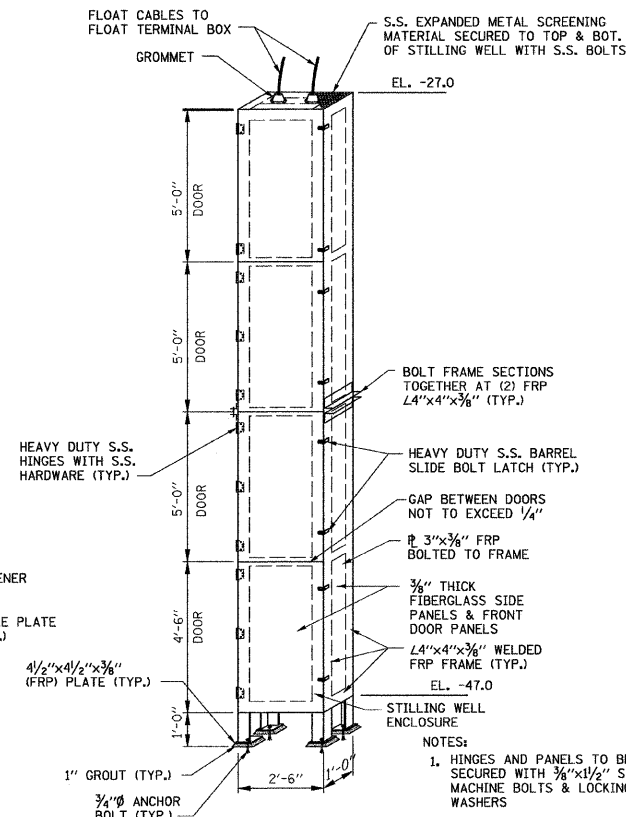


PLAN



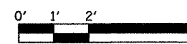
ELEVATION

36"/48" DIA. PIPE STRAP DETAIL
NOT TO SCALE



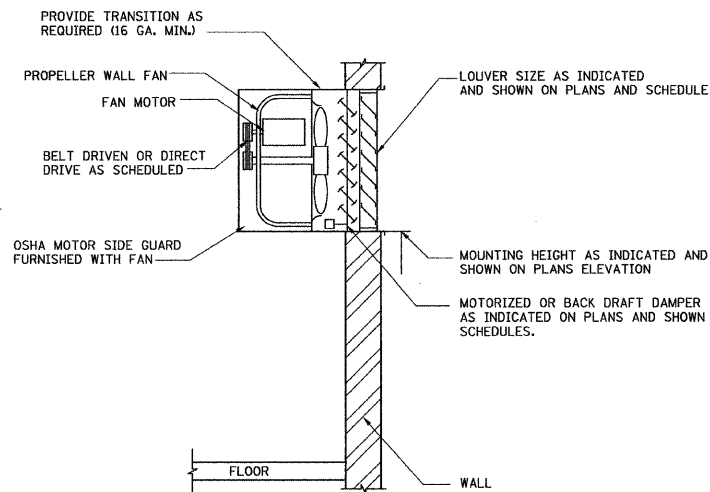
FLOAT STILLING WELL DETAIL FOR PUMP FLOAT CONTROL

(2 REQUIRED)



SCALE: 3/8" = 1'

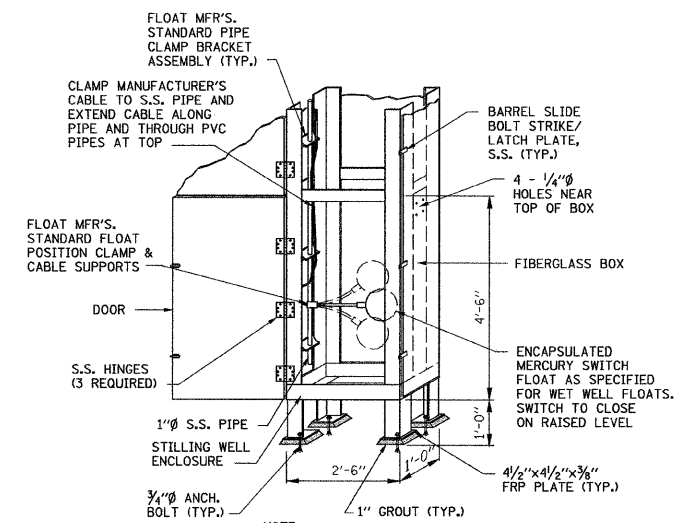
NOTE: SEE DWG. M2 FOR LOCATION



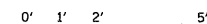
WALL PROPELLER FAN DETAIL

NTS

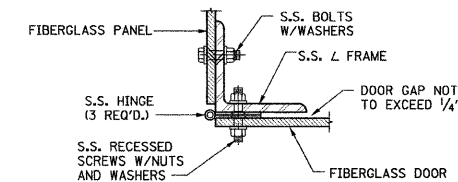
NOTE: SUPPORT FAN FROM TRANSITION DUCTWORK WHERE POSSIBLE. OTHERWISE, SUPPORT FROM ABOVE WITH CONTRACTOR DESIGNED SUPPORTS. DUCTWORK MATERIAL SHALL BE AS SPECIFIED FOR SERVICE.



FLOAT DETAIL IN STILLING WELL ENCLOSURES



SCALE: 3/8" = 1'



STAINLESS STEEL DOOR HINGE DETAIL



GENERAL NOTES:

1. ALL STEEL PLATES, SHAPES AND RODS SHALL BE HOT DIP GALVANIZED AFTER FABRICATION.
2. ALL BOLTS AND ANCHOR BOLTS SHALL BE STAINLESS STEEL.

M6

REVISIONS	
NAME	DATE

ILLINOIS DEPARTMENT OF TRANSPORTATION

PUMP STATION NO. 27
REHABILITATION

MECHANICAL DETAILS

SCALE: AS SHOWN

DATE: 04-23-10

DRAWN BY: HFF

CHECKED BY: KHC