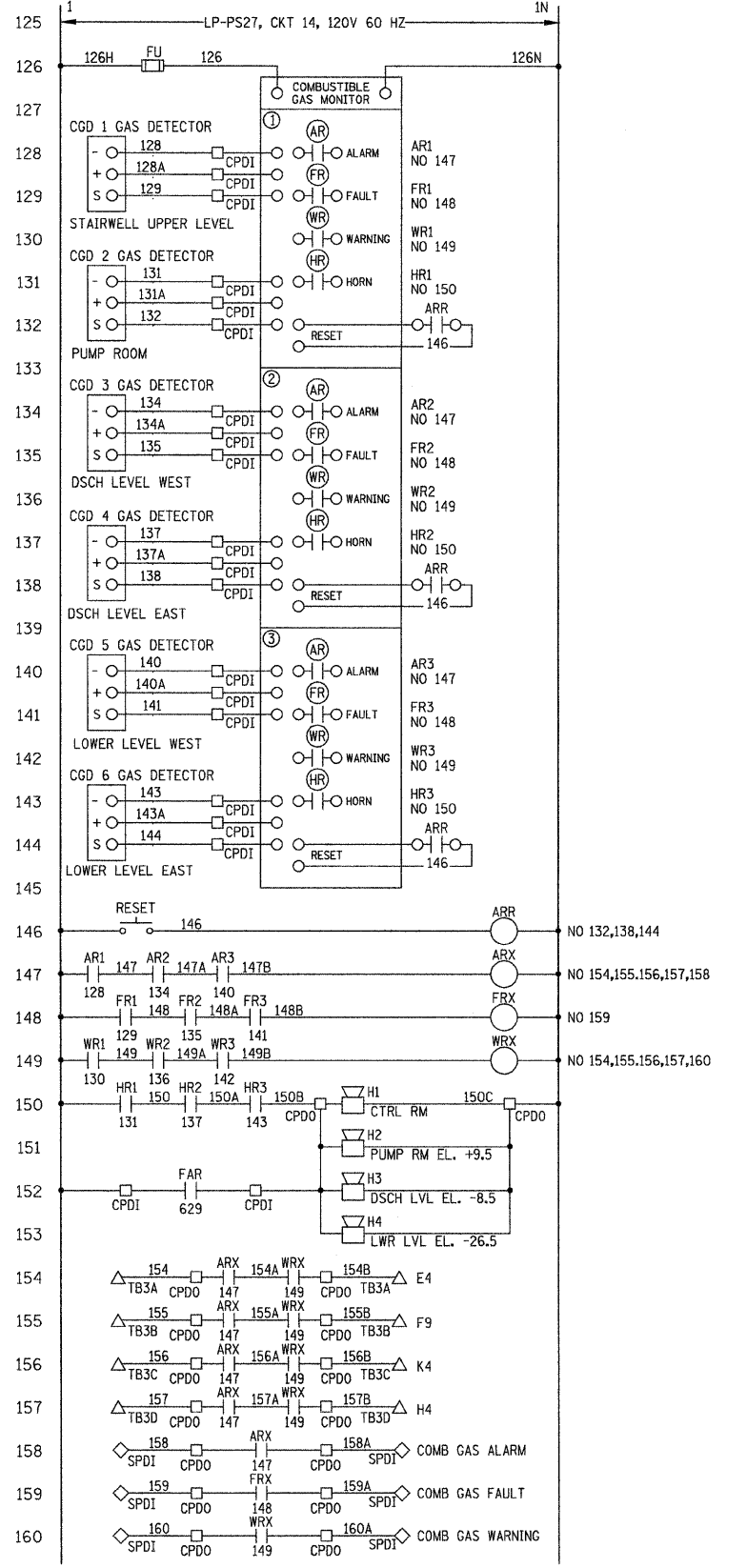


LEGEND

- △ TERMINAL IN MOTOR STARTER
- TERMINAL IN CONTROL PANEL
- ◇ TERMINAL IN SCADA PANEL
- ▲ DEVICE LOCATED ON STARTER DOOR
- DEVICE LOCALLY MTD
- DEVICE IN CONTROL PANEL
- ◆ DEVICE IN SCADA PANEL



E9

REVISIONS	
NAME	DATE

ILLINOIS DEPARTMENT OF TRANSPORTATION

PUMP STATION NO. 27  
REHABILITATION  
CONTROL PANEL  
SCHEMATIC SH. 1

SCALE: N/A  
DATE: 04-23-10

DRAWN BY: MS  
CHECKED BY: MS

