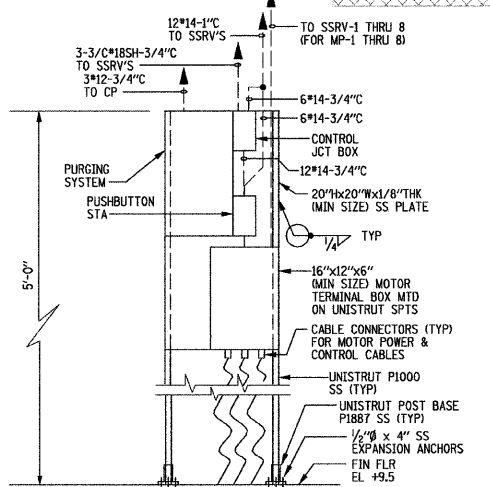
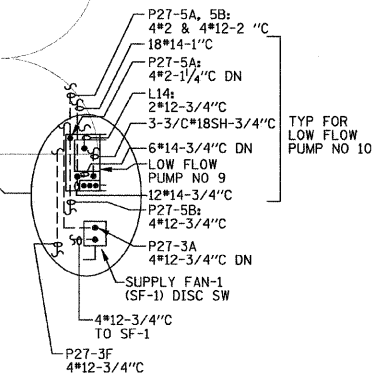
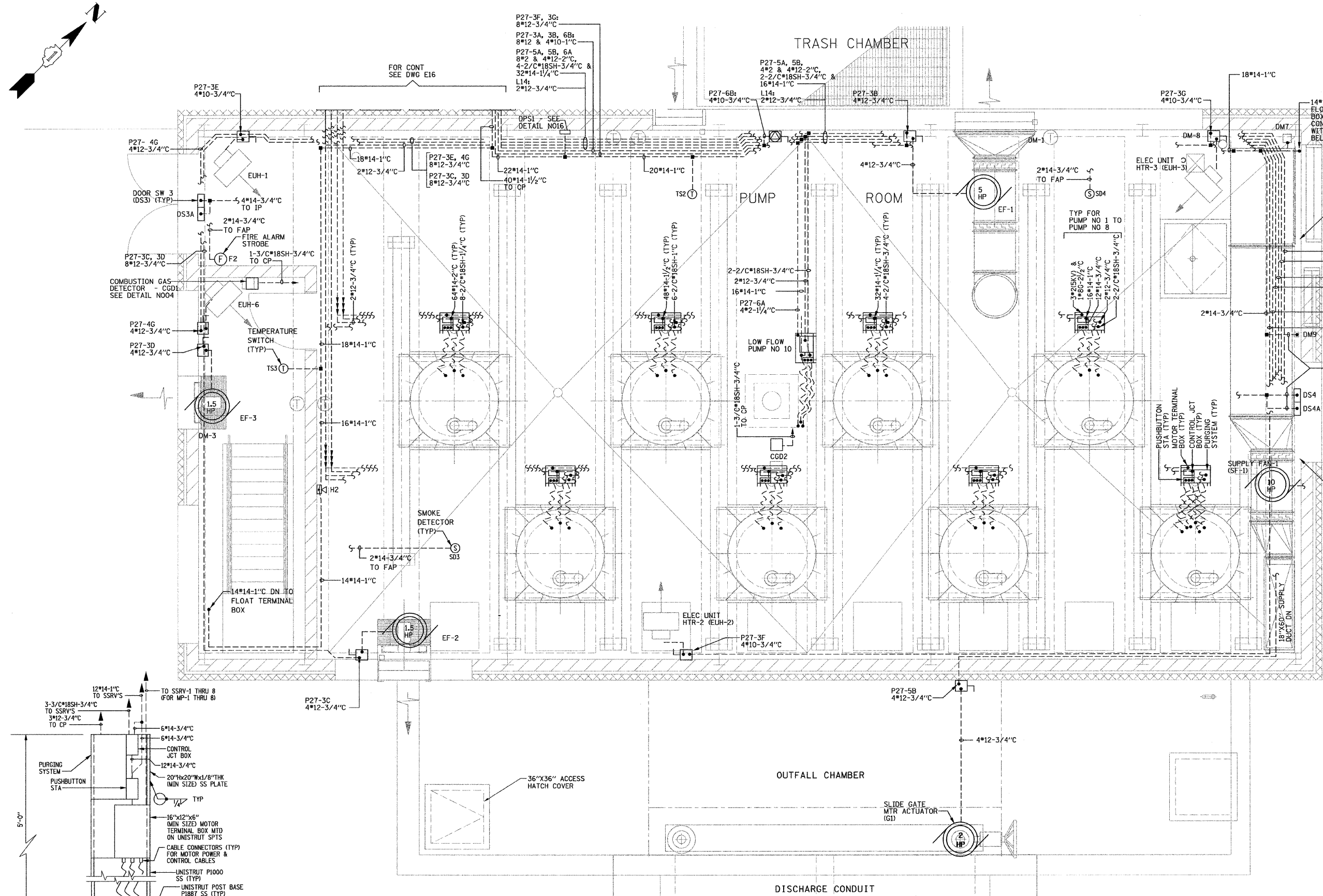


F.A.I. RTE.	SECTION	COUNTY	TOTAL SHEETS	SHEET NO.
90/94	1213.4 A-T	COOK	63	48
FED. ROAD DIST. NO.	ILLINOIS	FED. AID PROJECT		

GENERAL NOTES:

- ALL ELECTRICAL INSTALLATION IN THE PUMP STATION INCLUDING SUPERSTRUCTURE, TRASH CHAMBER, LOWER LEVELS AND STAIRWAYS, SHALL MEET THE REQUIREMENTS OF NEC HAZARDOUS LOCATION CLASS 1, DIVISION 1, GROUP D; THOSE IN THE ELECTRICAL CONTROL ROOM SHALL BE NON-HAZARDOUS.
- ALL CONTROL CABLES SHALL BE AWG NO. 14 STRANDED, UNLESS OTHERWISE NOTED.
- ALL CONDUIT AND PIPE PENETRATIONS, THROUGH WALL AND/OR FLOOR SLAB, BETWEEN HAZARDOUS AND/OR NON-HAZARDOUS AREAS SHALL BE GROUTED GAS TIGHT.
- ALL FLOOR & WALL PENETRATIONS SHALL BE CORE DRILLED & SEALED WITH NON-SHRINK GROUT.
- "2/C#18SH" REPRESENTS "2 CONDUCTOR #18 SHIELDED CABLE".
- CORE DRILL BUILDING WALL FOR EXTERIOR CONDUITS; PATCH TO MATCH EXISTING. PROVIDE SEALANT AROUND CONDUITS.
- CONTRACTOR IS RESPONSIBLE FOR COORDINATING CONDUIT LOCATIONS WITH OTHER DISCIPLINES.
- CONTRACTOR IS RESPONSIBLE FOR VERIFYING CONDUIT AND CONDUCTOR SIZES AND QUANTITY PRIOR TO INSTALLATION.



E17

REVISIONS	
NAME	DATE

SCALE: 0 4 8 12

ILLINOIS DEPARTMENT OF TRANSPORTATION

PUMP STATION NO. 27 REHABILITATION

POWER PLANS SH. 2

SCALE: AS SHOWN DRAWN BY: MS
DATE: 04-23-10 CHECKED BY: MS

