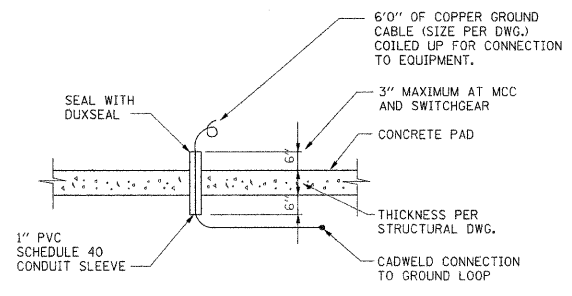
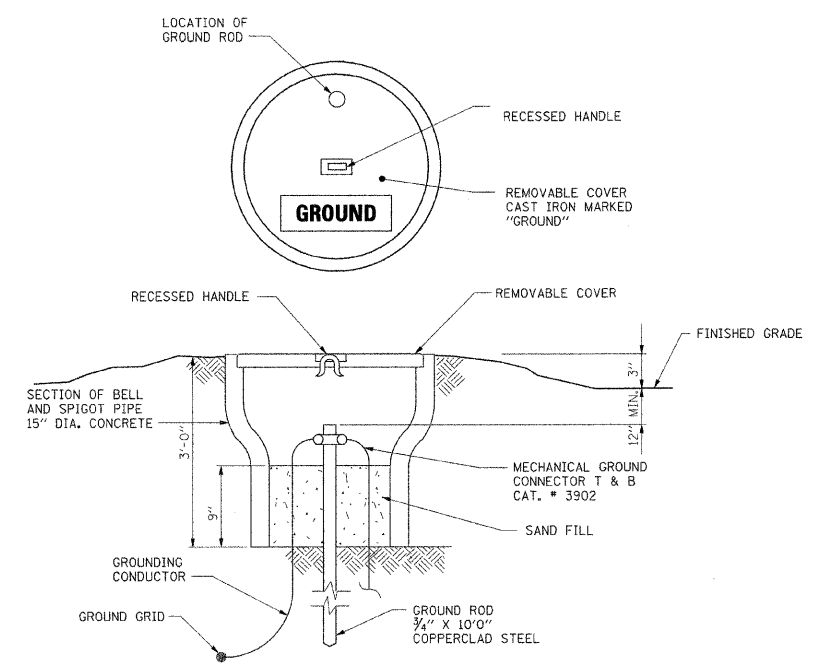


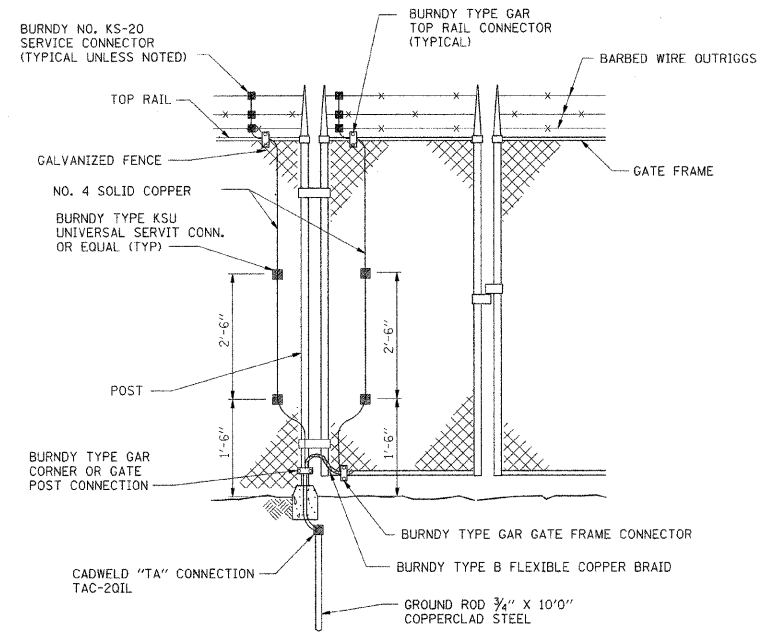
CONDUCTOR TO GROUND ROD CONNECTION DETAIL E451
NTS



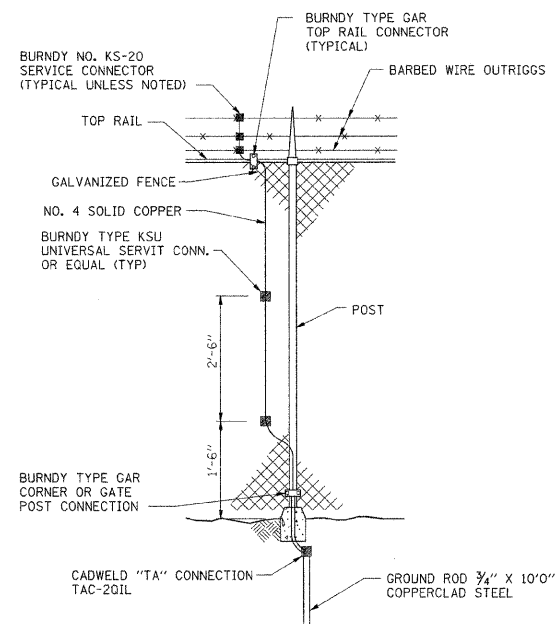
EQUIPMENT GROUND CABLE STUB-UP E452
NTS



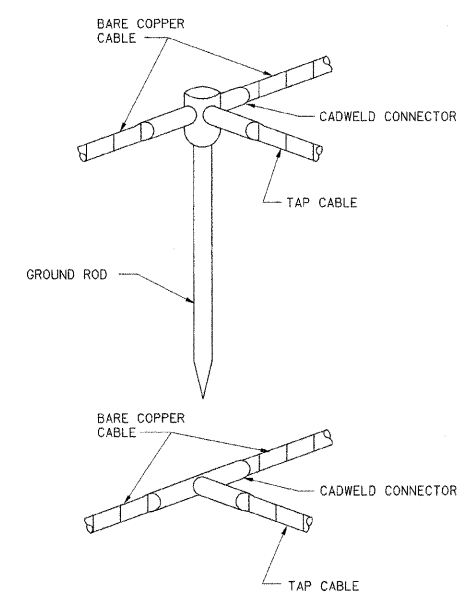
GROUNDING TEST STATION DETAIL E455
NTS



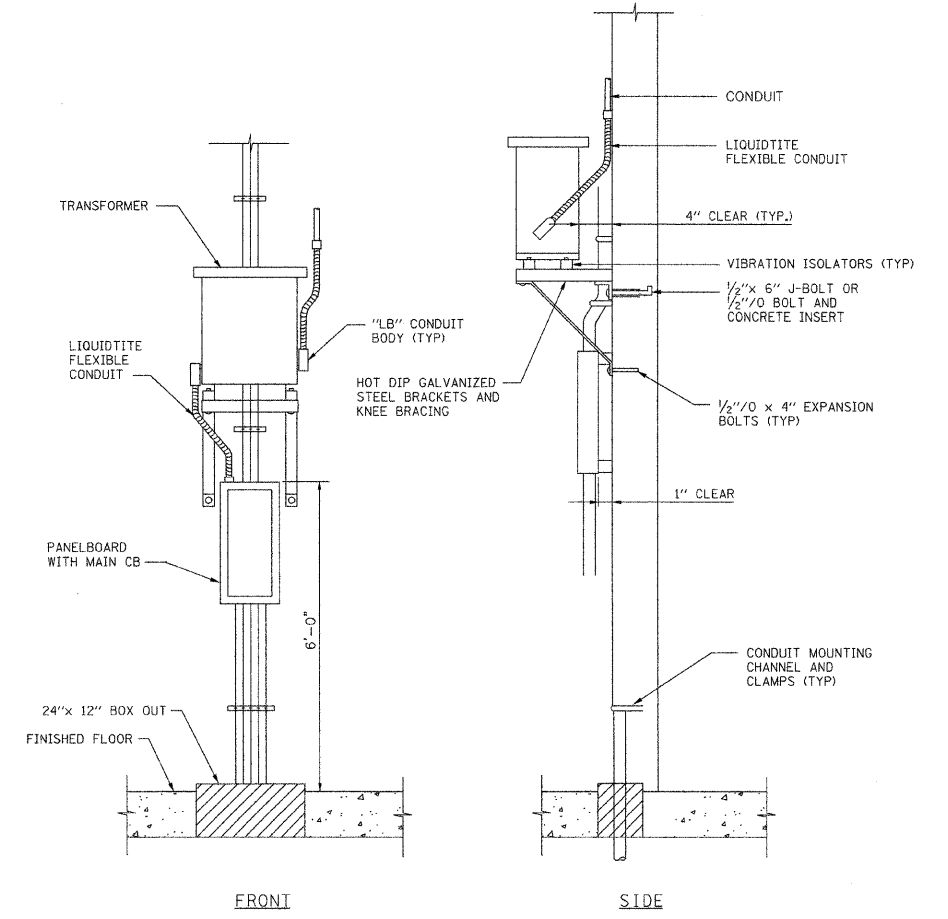
GATE AND HINGE POST GROUNDING E457
NTS



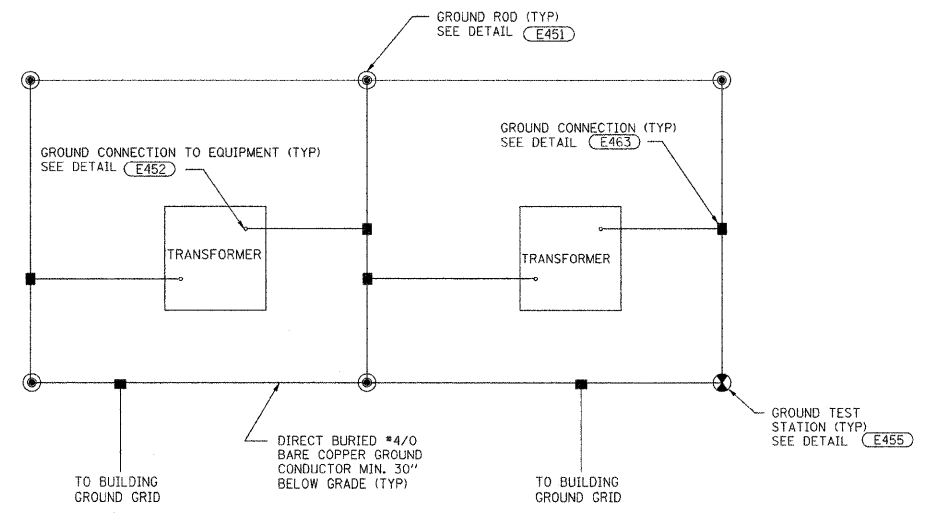
LINE POST GROUNDING E458
NTS



GROUNDING CONNECTION DETAIL E463
NTS



WALL MOUNTED TRANSFORMER AND PANEL BOARD E991
NTS



TRANSFORMER GROUNDING DETAIL E700
NTS

E32

REVISIONS	
NAME	DATE

ILLINOIS DEPARTMENT OF TRANSPORTATION
PUMP STATION NO. 27
REHABILITATION
ELECTRICAL DETAILS

SCALE: AS SHOWN
DATE: 04-23-10

DRAWN BY: MS
CHECKED BY: MS

